



# Scotch-Weld™

Polyurethane Reactive (PUR) Easy 250  
Adhesive Applicator

## User's Manual

120V. USA
100V. JAPAN
120V. USA REFURB



Use only with 3M™ Scotch-Weld™ Polyurethane Reactive (PUR) Easy 250 or 3M™ Scotch-Weld™ Polyurethane Reactive Adhesives  
Please read all instructions before using.

# Table of Contents

Important Safety Instructions .....	1
3M™ Scotch-Weld™ Polyurethane Reactive (PUR) Easy 250 Adhesive .....	1
3M™ Scotch-Weld™ PUR Easy 250 Adhesive Applicator Operation .....	1
3M™ Scotch-Weld™ PUR Easy 250 Adhesive Applicator Servicing .....	2
Grounding Instructions .....	3
Setup and Installation .....	4-5
Loading Applicator and Dispensing with New Cartridge.....	6-8
Reloading Applicator .....	9-15
Cold Cartridge Reload .....	9-13
Preheated Cartridge Reload .....	14-15
Applicator Shutdown .....	15
Applicator Diagram and Replacement Parts List .....	16
Parts and Accessories .....	17-18
Operator Productivity and Comfort .....	19
Troubleshooting .....	20-35
Condition 1: No or Low Adhesive Flow/Audible Air Leak .....	21-25
Condition 2: No or Low Adhesive Flow/No Audible Air Leak .....	26-29
Condition 3: Nozzle Drip .....	30
Condition 4: Continuous Adhesive Flow .....	30
Condition 5: Slow Adhesive Shut Off .....	30
Condition 6: Applicator Will Not Heat.....	30-35
Applicator Reassembly Procedure .....	36
Warranty/Important Notice/Limitation of Remedies/Limitation of Liability .....	37

# Important Safety Instructions

## SAVE THESE INSTRUCTIONS

Read all instructions before using this product.

### 3M™ Scotch-Weld™ Polyurethane Reactive (PUR) Easy 250 or 3M™ Scotch-Weld™ Polyurethane Reactive Adhesive

For health and safety information, see product label and Material Safety Data Sheet for 3M™ Scotch-Weld™ Polyurethane Reactive (PUR) Easy 250 Adhesive before using.

#### WARNING

Use only with 3M™ Scotch-Weld™ Polyurethane Reactive (PUR) Easy 250 or 3M™ Scotch-Weld™ Polyurethane Reactive Adhesive Cartridges. Use with any other materials **may cause hazardous conditions.**

#### WARNING

3M™ Scotch-Weld™ Polyurethane Reactive (PUR) Easy 250 or 3M™ Scotch-Weld™ Polyurethane Reactive Adhesive Cartridges should be preheated or used in 3M™ Scotch-Weld™ Polyurethane Reactive (PUR) Easy 250 Adhesive Preheater or 3M™ Scotch-Weld™ (PUR) Easy 250 Adhesive Applicator only. Do not preheat 3M™ Scotch-Weld™ Polyurethane Reactive (PUR) Easy 250 or 3M™ Scotch-Weld™ Polyurethane Reactive Adhesive Cartridges in ovens or other heating devices or use in other applicators. **May cause hazardous conditions.**

#### WARNING

Do not heat or expose 3M™ Scotch-Weld™ Polyurethane Reactive (PUR) Easy 250 or 3M™ Scotch-Weld™ Polyurethane Reactive Adhesive to temperatures or surfaces above 275°F (135°C). **Vapors of heated material may be irritating to eyes and respiratory tract and may cause asthma-like symptoms in persons previously sensitized to isocyanates.**

#### WARNING

Do not clean or remove 3M™ Scotch-Weld™ Polyurethane Reactive (PUR) Easy 250 or 3M™ Scotch-Weld™ Polyurethane Reactive Adhesive with heat, flame, or solvent. **May cause hazardous vapor or fire.**

#### WARNING

Avoid Contact with flammable materials

### 3M™ Scotch-Weld™ Polyurethane Reactive (PUR) Easy 250 Adhesive Applicator Operation

#### WARNING

To reduce the risk of electrical shock or injury while operating or servicing the 3M™ Scotch-Weld™ Polyurethane Reactive (PUR) Easy 250 Adhesive Applicator, observe the following safety rules:

1. Operate and service the applicator only as described in this manual.
2. Connect the applicator only to a properly grounded outlet.
3. Do not unplug the applicator by pulling on the cord. Grasp the plug, not the cord, to unplug.
4. Do not handle the plug or applicator with wet hands.
5. Do not use the applicator outdoors or on wet surfaces.
6. Do not use the applicator with damaged cord or plug.
7. Do not use the applicator if it is not working properly or has been dropped, damaged, submerged in water, or left outdoors.

#### WARNING

Use only 3-prong grounded plug and properly grounded outlet. Failure to use properly grounded plug and outlet **may cause electrical shock.**

**Important:** If you are not sure of proper connections, get help from a qualified electrician or service person.

#### WARNING

Do not use an unapproved extension cord with the applicator. Use an extension cord which complies with NEC requirements and state and local codes and other requirements.

**Important:** Use only a properly rated 3-prong grounded extension cord which complies to NEC requirements state and local codes. Use of an improper extension cord **may cause electrical shock.**

*Continued on next page*

# Important Safety Instructions (continued)

## Important FOR INDUSTRIAL USE ONLY

This 3M™ Scotch-Weld™ Polyurethane Reactive (PUR) Easy 250 Adhesive Applicator is designed exclusively for use with 3M™ Scotch-Weld™ Polyurethane Reactive (PUR) Easy 250 or 3M™ Scotch-Weld™ Polyurethane Reactive Adhesives. The use of this applicator with other adhesives or use of this applicator other than for its intended use may result in unsafe or hazardous conditions.

### CAUTION

Avoid contact with hot adhesive, cartridge, applicator tip, and metal components. **May cause burns.**

**Important:** Wear heat resistant gloves and safety glasses when using.

### CAUTION

Do not connect the applicator to air supply with greater than 80 psi air pressure. May cause hazardous conditions or damage the applicator.

**Important:** For disposal of adhesive or adhesive components, please read and follow information found on the selected 3M™ Scotch-Weld™ Polyurethane Reactive (PUR) Easy 250 Adhesive MSDS.

## 3M™ Scotch-Weld™ Polyurethane Reactive (PUR) Easy 250 Adhesive Applicator Servicing

### WARNING

Disconnect air and electrical power and make sure applicator has cooled to room temperature before servicing. Failure to disconnect air and electrical power or failure to allow applicator to cool before servicing **may cause electrical shock or burns.** Read User's Manual before servicing.

### WARNING

Use only 3M-specified replacement parts. Use of other replacement parts **may cause hazardous conditions or damage the applicator.**

### WARNING

Do not modify the plug provided with the applicator or use with an adapter or ungrounded outlet. Improper grounding connection of the applicator **may cause electric shock.**

**Important:** If the plug will not fit the outlet, have a qualified electrician or service person install the proper outlet.

# Grounding Instructions

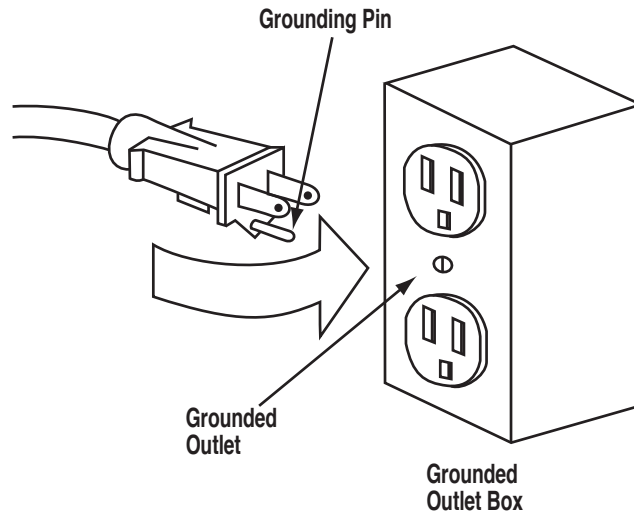
## **! WARNING**

Do not modify the plug provided with the preheater or use with an adapter or ungrounded outlet. Improper grounding connection of the applicator **may cause electric shock**.

**IMPORTANT:** If the plug will not fit the outlet, have a qualified electrician or service person install the proper outlet.

The 3M™ Scotch-Weld™ Polyurethane Reactive (PUR) Easy 250 Adhesive Applicator must be grounded. If the applicator malfunctions or breaks down, grounding provides a path of least resistance for electric current to help reduce the risk of electric shock.

This applicator is equipped with a cord having an equipment-grounding conductor and grounding plug. The plug must be used with an appropriate outlet that is properly installed and grounded in accordance with all state and local codes and requirements.



The 3M™ Scotch-Weld™ Polyurethane Reactive (PUR) Easy 250 Adhesive Applicator is intended for use on a nominal 120-volt circuit and has a grounding plug as shown in the figure above. Make sure the applicator is connected to an outlet having the same configurations as the plug. **Do not use an adapter.**

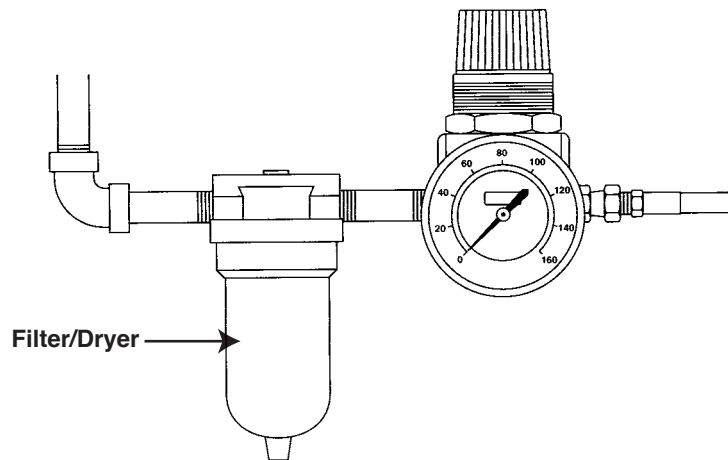
# Setup and Installation

## ⚠ Caution

Do not connect the applicator to air supply with greater than 80 psi air pressure. **May cause hazardous conditions or damage the applicator.**

**IMPORTANT:** For disposal of adhesive or adhesive components, please read and follow information found on the selected 3M™ Scotch-Weld™ Polyurethane Reactive (PUR) Easy 250 Adhesive MSDS.

1. Remove the applicator from its shipping container and inspect for any obvious damage. If damaged, do not use and immediately contact your local 3M representative.
2. Connect air coupling provided on the end of the supply hose (male 1/4-inch pipe thread) to a filtered, regulated and dry air supply. (Regulator and filter not included.)

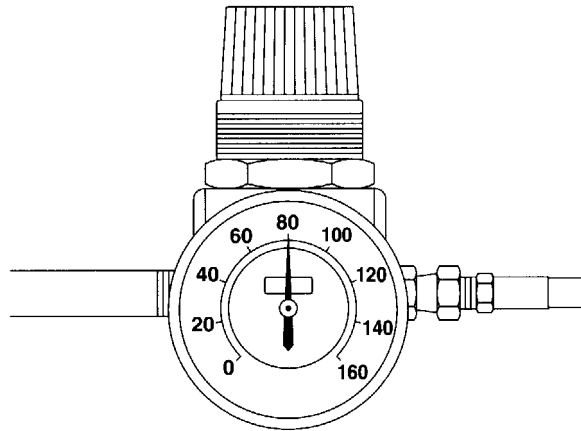


## ⚠ WARNING

Use only 3-prong grounded plug and properly grounded outlet. Failure to use properly grounded plug and outlet may cause electrical shock.

**IMPORTANT:** If you are not sure of proper connections, get help from a qualified electrician or service person.

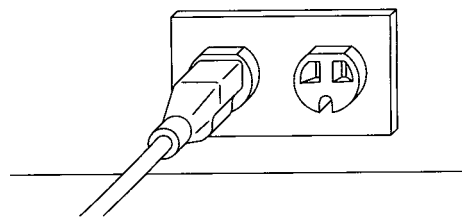
3. Adjust air regulator to an 80 psi starting point.



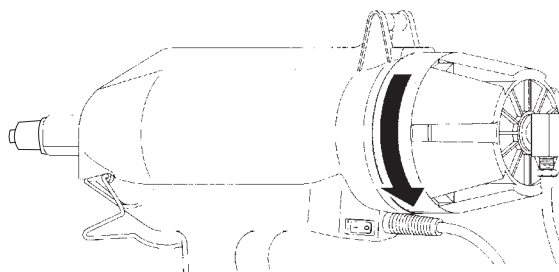
## ⚠ WARNING

Do not use an unapproved extension cord with the applicator. Use an extension cord which complies with NEC requirements and state and local codes and other requirements.

4. Plug applicator into grounded receptacle.



- Remove end cap from applicator by unscrewing end cap counterclockwise.



**Caution**

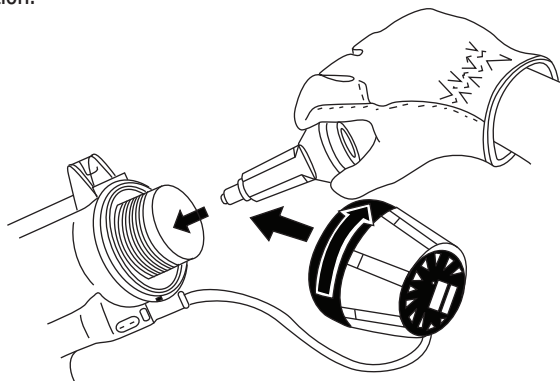
Avoid contact with hot adhesive, cartridge, applicator tip, and metal components. **May cause burns.**

**IMPORTANT:** Wear heat resistant gloves and safety glasses when using.

**WARNING**

Use only 3M™ Scotch-Weld™ Polyurethane Reactive (PUR) Easy 250 or 3M™ Scotch-Weld™ Polyurethane Reactive Adhesive Cartridges. Use with any other material may cause hazardous conditions.

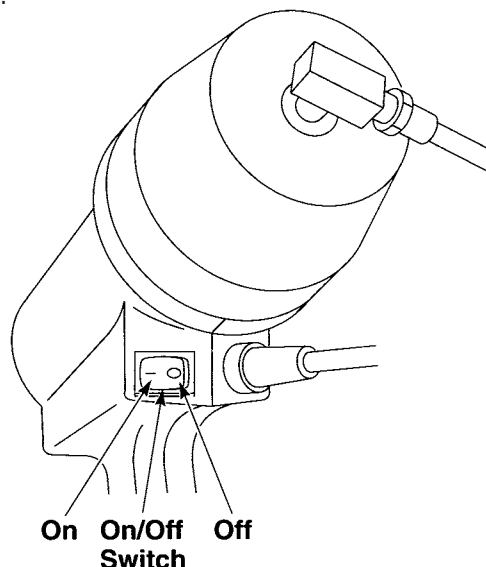
- Insert Nozzle Housing with Tip Shroud into rear of applicator and let it drop into position.



**WARNING**

3M™ Scotch-Weld™ Polyurethane Reactive (PUR) Easy 250 or 3M™ Scotch-Weld™ Polyurethane Reactive Adhesive Cartridges should be preheated or used in 3M™ Scotch-Weld™ Polyurethane Reactive (PUR) Easy 250 Adhesive Preheater or 3M™ Scotch-Weld™ (PUR) Easy 250 Adhesive Applicator only. Do not preheat 3M™ Scotch-Weld™ Polyurethane Reactive (PUR) Easy 250 or 3M™ Scotch-Weld™ Polyurethane Reactive Adhesive Cartridges in ovens or other heating devices or use in other applicators. **May cause hazardous conditions.**

- Push the on/off switch to the “on” position, indicated by visible red portion of the switch.



# Loading Applicator and Dispensing with New Adhesive Cartridge

## ⚠ WARNING

Use only 3M™ Scotch-Weld™ Polyurethane Reactive (PUR) Easy 250 or 3M™ Scotch-Weld™ Polyurethane Reactive Adhesive Cartridges. Use with any other material may cause hazardous conditions.

## ⚠ WARNING

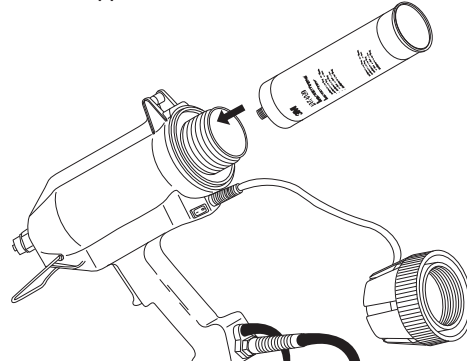
3M™ Scotch-Weld™ Polyurethane Reactive (PUR) Easy 250 or 3M™ Scotch-Weld™ Polyurethane Reactive Adhesive Cartridges should be preheated or used in 3M™ Scotch-Weld™ Polyurethane Reactive (PUR) Easy 250 Adhesive Preheater or 3M™ Scotch-Weld™ (PUR) Easy 250 Adhesive Applicator only. Do not preheat 3M™ Scotch-Weld™ Polyurethane Reactive (PUR) Easy 250 or 3M™ Scotch-Weld™ Polyurethane Reactive Adhesive Cartridges in ovens or other heating devices or use in other applicators. **May cause hazardous conditions.**

## ⚠ Caution

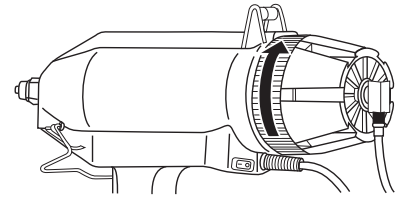
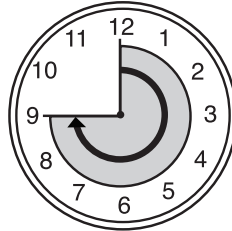
Avoid contact with hot adhesive, cartridge, applicator tip, and metal components. **May cause burns.**

**IMPORTANT:** Wear heat resistant gloves and safety glasses when using.

1. Remove end cap and insert adhesive cartridge without puncturing or attaching disposable nozzle into applicator as shown.



2. Tighten applicator end cap to ensure a positive seal. Allow cartridge to warm for a minimum of 45 minutes.



3. Remove adhesive cartridge and place on a bench or flat work surface with threaded nozzle pointing upward. Allow cartridge to stand for approximately 60 seconds.



4. Place a rag or paper towel around or near the nozzle portion of the cartridge.
5. Place a punch or similar tool into the nozzle portion of the cartridge as shown.



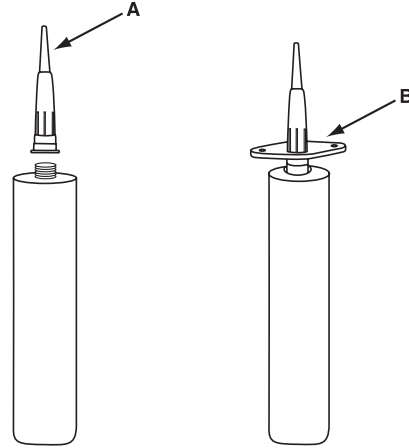
**Note:** For best results, hang the applicator from a tool balancer or stand up by means of the wire stand or bench mount.



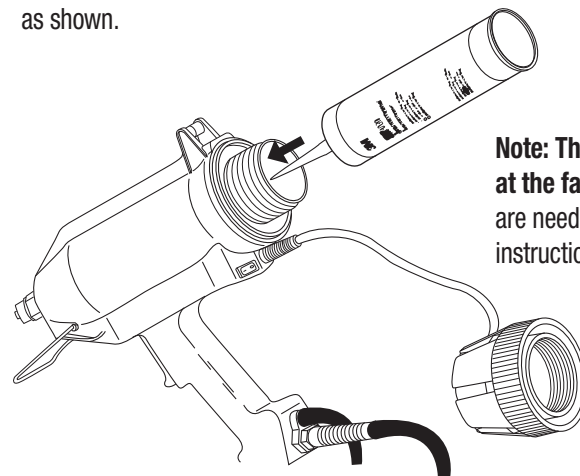
**! WARNING**

3M™ Scotch-Weld™ Polyurethane Reactive (PUR) Easy 250 or 3M™ Scotch-Weld™ Polyurethane Reactive Adhesive Cartridges should be preheated or used in 3M™ Scotch-Weld™ Polyurethane Reactive (PUR) Easy 250 Adhesive Preheater or 3M™ Scotch-Weld™ (PUR) Easy 250 Adhesive Applicator only. Do not preheat 3M™ Scotch-Weld™ Polyurethane Reactive (PUR) Easy 250 or 3M™ Scotch-Weld™ Polyurethane Reactive Adhesive Cartridges in ovens or other heating devices or use in other applicators. **May cause hazardous conditions.**

6. Tap the punch handle using a hammer, mallet or similar instrument until the front aluminum seal of the cartridge has been pierced.
7. Select and install a disposable nozzle (A) provided with the 3M™ Scotch-Weld™ Polyurethane Reactive (PUR) Easy 250 Adhesive or 3M™ Scotch-Weld™ Polyurethane Reactive Adhesive onto the cartridge by turning the nozzle clockwise until the nozzle base is tight or flush with the cartridge using the supplied plastic wrench (B) to aid tightening.



8. Insert adhesive cartridge, complete with disposable nozzle into the applicator as shown.

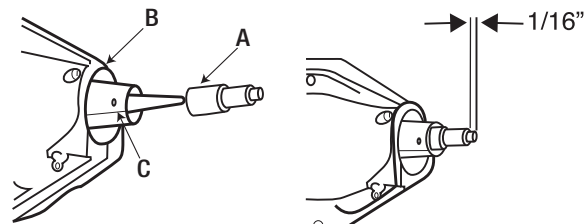


**Note: The Shroud is preset at the factory.** If adjustments are needed follow the instructions in step 9.

**! WARNING**

Use only 3M™ Scotch-Weld™ Polyurethane Reactive (PUR) Easy 250 or 3M™ Scotch-Weld™ Polyurethane Reactive Adhesive Cartridges. Use with any other material **may cause hazardous conditions.**

9. Adjust the Shroud: With a 3M™ Scotch-Weld™ Polyurethane Reactive (PUR) Easy 250 or 3M™ Scotch-Weld™ Polyurethane Reactive Adhesive cartridge and Disposable Nozzle loaded in the applicator, insert Nozzle Shroud (A) into Nozzle Housing (B) allowing approximately 1/16" of the disposable nozzle protruding as shown and tighten set-screw (C) to secure.



**Important:** Allowing no more than 1/16" to 1/8" of the plastic disposable nozzle to protrude from the Tip shroud will assure the adhesive will remain melted between actuations.

# Loading Applicator and Dispensing with New Adhesive Cartridge (continued)

## ⚠ WARNING

Do not heat or expose 3M™ Scotch-Weld™ Polyurethane Reactive (PUR) Easy 250 or 3M™ Scotch-Weld™ Polyurethane Reactive Adhesive to temperatures or surfaces above 275°F (135°C).

**Vapors of heated material may be irritating to eyes and respiratory tract and may cause asthma-like symptoms in persons previously sensitized to isocyanates.**

## ⚠ Caution

Do not connect the applicator to air supply with greater than 80 psi air pressure. **May cause hazardous conditions or damage the applicator.**

**IMPORTANT:** For disposal of adhesive or adhesive components, please read and follow information found on the selected 3M™ Scotch-Weld™ Polyurethane Reactive (PUR) Easy 250 Adhesive MSDS.

## ⚠ WARNING

Do not clean or remove 3M™ Scotch-Weld™ Polyurethane Reactive (PUR) Easy 250 or 3M™ Scotch-Weld™ Polyurethane Reactive Adhesive with heat, flame, or solvent.

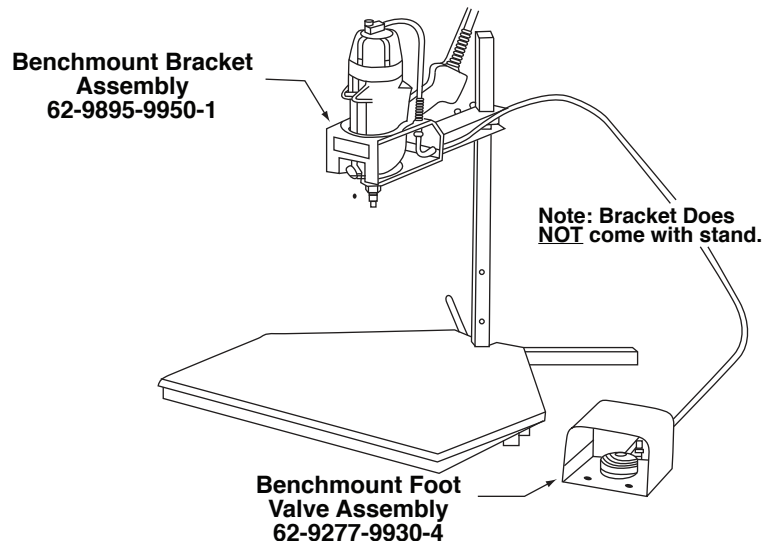
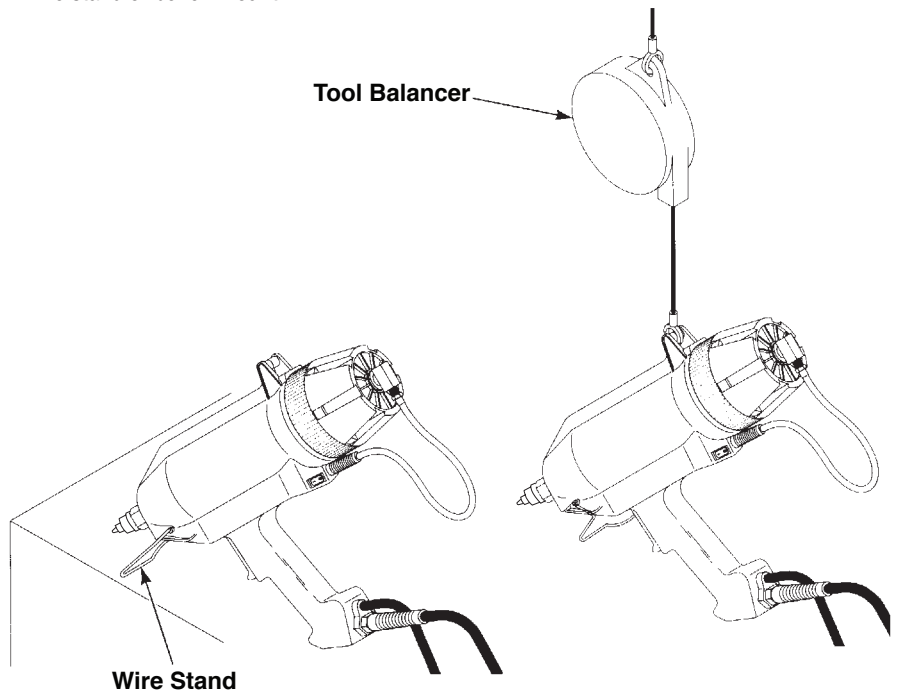
**May cause hazardous vapor or fire.** For additional health and safety information, see product label and Material Safety Data Sheet for Scotch-Weld Adhesive used.

**IMPORTANT:** For additional health and safety information, see product label and Material Safety Data Sheet for Scotch-Weld Adhesive used.

1. Activate the trigger on the applicator for adhesive application. For best results, set the air pressure at 80 PSI to start flow.
2. Adjust for desired adhesive flow rate by setting air regulator between 30 psi and 80 psi.

### Note

For best results, hang the applicator from a tool balancer or stand up by means of the wire stand or bench mount.



# Reloading Applicator

## Cold Cartridge Reload

### Caution

Avoid contact with hot adhesive, cartridge, applicator tip, and metal components. **May cause burns.**

**IMPORTANT:** Wear heat resistant gloves and safety glasses when using.

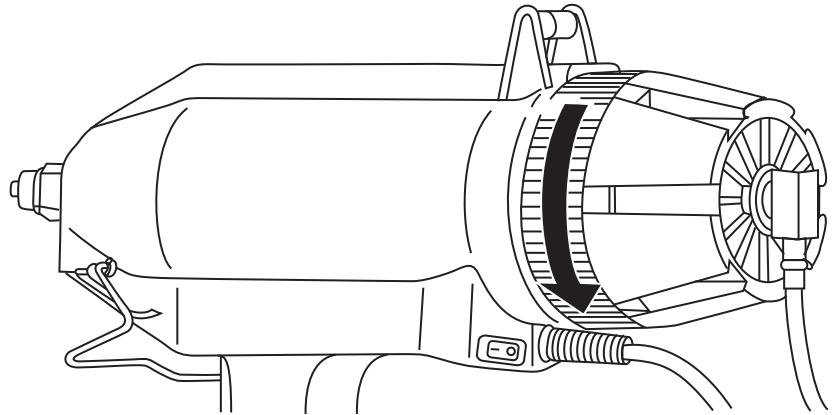
### WARNING

Use only 3M™ Scotch-Weld™ Polyurethane Reactive (PUR) Easy 250 or 3M™ Scotch-Weld™ Polyurethane Reactive Adhesive Cartridges. Use with any other material **may cause hazardous conditions.**

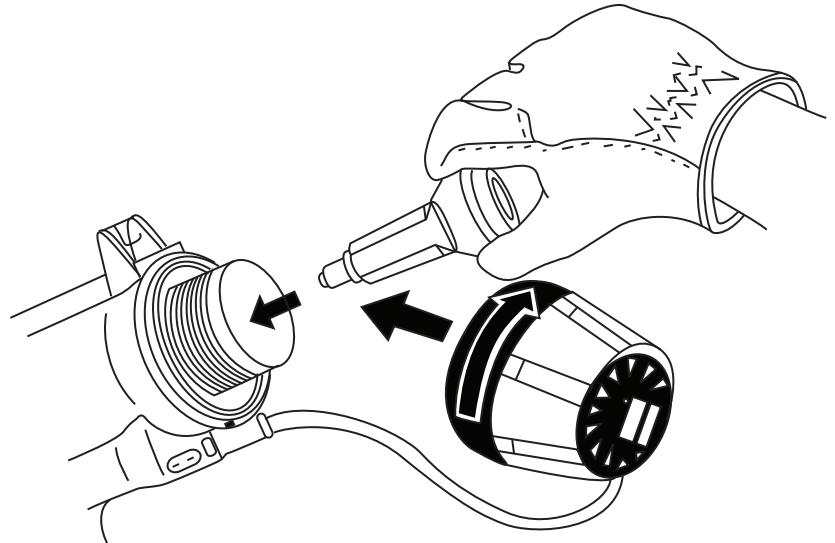
### Important

Adhesive will resist flowing through applicator if total heat history of adhesive cartridge at application temperature exceeds 16 hours (total time in preheater and in applicator). Properly discard any adhesive cartridge that has been heated longer than 16 hours and replace with a new, heated cartridge.

1. If applicator is cold, turn it on and allow to heat for five (5) minutes.
2. Unscrew and remove end cap from applicator.



3. Remove empty cartridge with attached disposable nozzle from applicator and discard. Inspect nozzle housing for adhesive build-up and clean if needed. Replace nozzle housing into the applicator.



# Reloading Applicator (continued)

## Cold Cartridge Reload

### ⚠ WARNING

Use only 3M™ Scotch-Weld™ Polyurethane Reactive (PUR) Easy 250 or 3M™ Scotch-Weld™ Polyurethane Reactive Adhesive Cartridges. Use with any other material **may cause hazardous conditions.**

### ⚠ WARNING

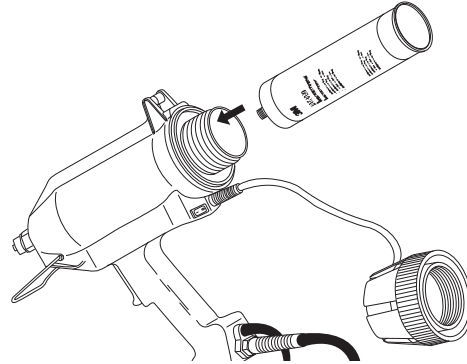
3M™ Scotch-Weld™ Polyurethane Reactive (PUR) Easy 250 or 3M™ Scotch-Weld™ Polyurethane Reactive Adhesive Cartridges should be preheated or used in 3M™ Scotch-Weld™ Polyurethane Reactive (PUR) Easy 250 Adhesive Preheater or 3M™ Scotch-Weld™ (PUR) Easy 250 Adhesive Applicator only. Do not preheat 3M™ Scotch-Weld™ Polyurethane Reactive (PUR) Easy 250 or 3M™ Scotch-Weld™ Polyurethane Reactive Adhesive Cartridges in ovens or other heating devices or use in other applicators. **May cause hazardous conditions.**

### ⚠ Caution

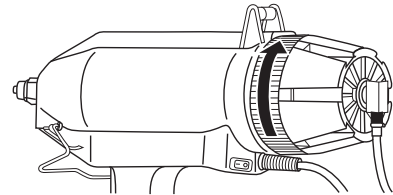
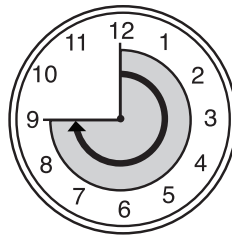
Avoid contact with hot adhesive, cartridge, applicator tip, and metal components. **May cause burns.**

**IMPORTANT:** Wear heat resistant gloves and safety glasses when using.

4. Insert adhesive cartridge without puncturing or attaching disposable nozzle into applicator as shown.



5. Tighten applicator end cap to ensure a positive seal. Allow cartridge to warm for a minimum of 45 minutes.



6. Remove adhesive cartridge and place on a bench or flat work surface with threaded nozzle pointing upward. Allow cartridge to stand for approximately 60 seconds.



7. Place a rag or paper towel around or near the nozzle portion of the cartridge.
8. Place a punch or similar tool into the nozzle portion of the cartridge as shown.



**Note:** If there is a small “burp” of adhesive, the rag or paper towel will contain any adhesive and allow for clean up prior to attaching the disposable nozzle.

## Cold Cartridge Reload

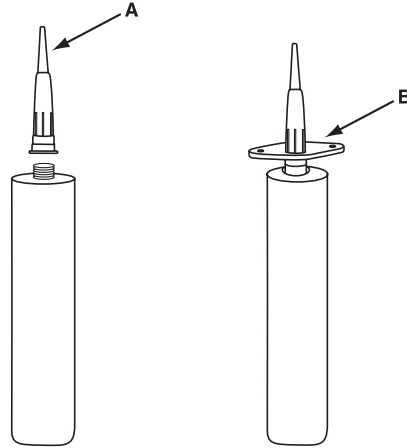
### ⚠ WARNING

3M™ Scotch-Weld™ Polyurethane Reactive (PUR) Easy 250 or 3M™ Scotch-Weld™ Polyurethane Reactive Adhesive Cartridges should be preheated or used in 3M™ Scotch-Weld™ Polyurethane Reactive (PUR) Easy 250 Adhesive Preheater or 3M™ Scotch-Weld™ (PUR) Easy 250 Adhesive Applicator only. Do not preheat 3M™ Scotch-Weld™ Polyurethane Reactive (PUR) Easy 250 or 3M™ Scotch-Weld™ Polyurethane Reactive Adhesive Cartridges in ovens or other heating devices or use in other applicators. **May cause hazardous conditions.**

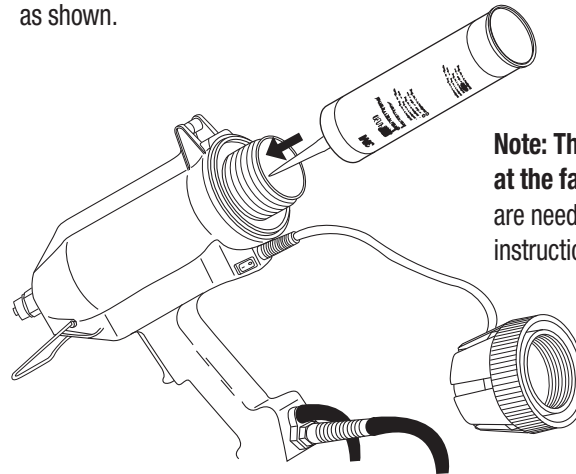
### ⚠ WARNING

Use only 3M™ Scotch-Weld™ Polyurethane Reactive (PUR) Easy 250 or 3M™ Scotch-Weld™ Polyurethane Reactive Adhesive Cartridges. Use with any other material **may cause hazardous conditions.**

9. Tap the punch handle using a hammer, mallet or similar instrument until the front aluminum seal of the cartridge has been pierced.
10. Select and install a disposable nozzle (A) provided with the 3M™ Scotch-Weld™ Polyurethane Reactive (PUR) Easy 250 Adhesive or 3M™ Scotch-Weld™ Polyurethane Reactive Adhesive onto the cartridge by turning the nozzle clockwise until the nozzle base is tight or flush with the cartridge using the supplied plastic wrench (B) to aid tightening.

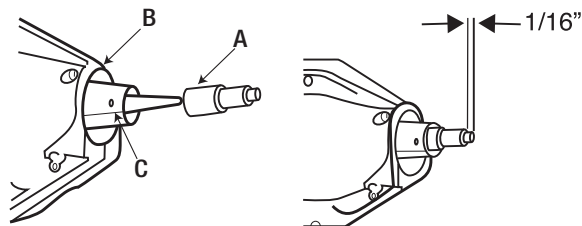


11. Insert adhesive cartridge, complete with disposable nozzle into the applicator as shown.



**Note: The Shroud is preset at the factory.** If adjustments are needed follow the instructions in step 12.

12. Adjust the Shroud: With a 3M™ Scotch-Weld™ Polyurethane Reactive (PUR) Easy 250 or 3M™ Scotch-Weld™ Polyurethane Reactive Adhesive cartridge and Disposable Nozzle loaded in the applicator, insert Nozzle Shroud (A) into Nozzle Housing (B) allowing approximately 1/16" of the disposable nozzle protruding as shown and tighten set-screw (C) to secure.



**Important:** Allowing no more than 1/16" to 1/8" of the plastic disposable nozzle to protrude from the Tip shroud will assure the adhesive will remain melted between actuations.

# Reloading Applicator (continued)

## **! WARNING**

Do not heat or expose 3M™ Scotch-Weld™ Polyurethane Reactive (PUR) Easy 250 or 3M™ Scotch-Weld™ Polyurethane Reactive Adhesive to temperatures or surfaces above 275°F (135°C). **Vapors of heated material may be irritating to eyes and respiratory tract and may cause asthma-like symptoms in persons previously sensitized to isocyanates.**

## **! WARNING**

3M™ Scotch-Weld™ Polyurethane Reactive (PUR) Easy 250 or 3M™ Scotch-Weld™ Polyurethane Reactive Adhesive Cartridges should be preheated or used in 3M™ Scotch-Weld™ Polyurethane Reactive (PUR) Easy 250 Adhesive Preheater or 3M™ Scotch-Weld™ (PUR) Easy 250 Adhesive Applicator only. Do not preheat 3M™ Scotch-Weld™ Polyurethane Reactive (PUR) Easy 250 or 3M™ Scotch-Weld™ Polyurethane Reactive Adhesive Cartridges in ovens or other heating devices or use in other applicators. **May cause hazardous conditions.**

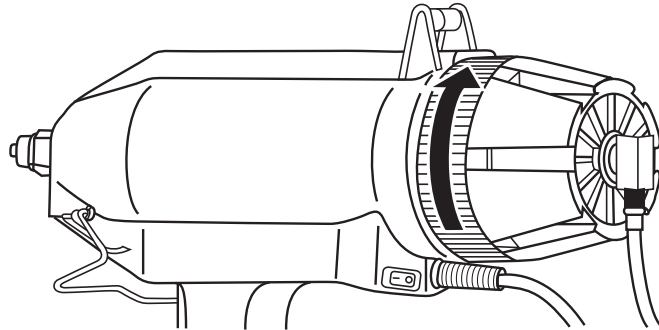
**IMPORTANT:** For additional health and safety information, see product label and Material Safety Data Sheet for Scotch-Weld Adhesive used.

## **! Caution**

Do not connect the applicator to air supply with greater than 80 psi air pressure. **May cause hazardous conditions or damage the applicator.**

**IMPORTANT:** For disposal of adhesive or adhesive components, please read and follow information found on the selected 3M™ Scotch-Weld™ Polyurethane Reactive (PUR) Easy 250 Adhesive MSDS.

13. Tighten applicator end cap to insure a positive seal by turning clockwise and follow “Dispensing” procedure for trouble free operation.



### Dispensing

1. Activate the trigger on the applicator for adhesive application. For best results, set the air pressure at 80 PSI to start flow.
2. Adjust for desired adhesive flow by setting the air regulator between 30 PSI and 80 PSI.

**Important:** Allowing no more than 1/16” to 1/8” of the plastic disposable nozzle to protrude from the Tip shroud will assure the adhesive will remain melted between actuations.

## Caution

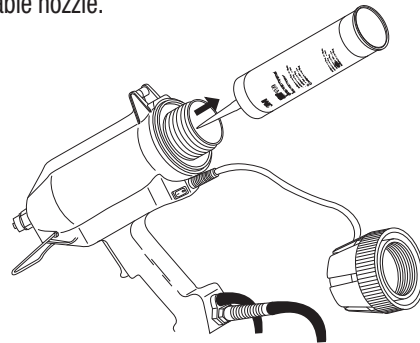
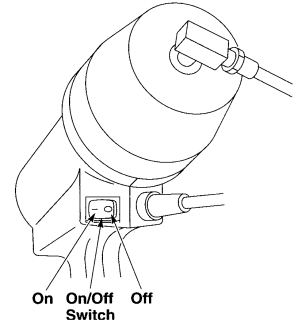
Avoid contact with hot adhesive, cartridge, applicator tip, and metal components. **May cause burns.**

**IMPORTANT:** Wear heat resistant gloves and safety glasses when using.

## Loading and dispensing with partially used adhesive cartridge:

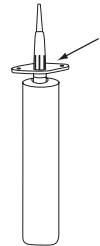
If applicator has been shut down with a partially used cartridge of adhesive, use the following steps to restart adhesive flow:

1. Make sure applicator is plugged into electrical outlet and air is connected per instructions in “Setup and Installation” section of manual.
2. Push the on/off switch to the “ON” position, indicated by visible red portion of the switch.
3. Let the applicator heat for approximately 10 minutes.
4. Remove end cap from applicator by unscrewing end cap counterclockwise and removing adhesive cartridge and plastic disposable nozzle.



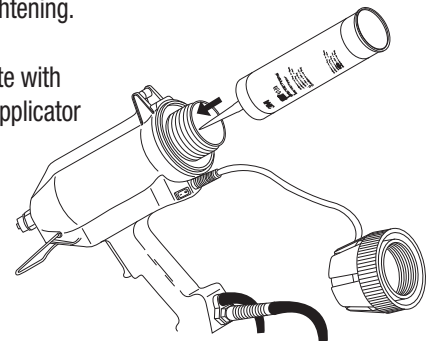
5. Remove adhesive cartridge and place on a bench or flat work surface with threaded nozzle pointing upward. Allow cartridge to stand for approximately 60 seconds.

6. Place a rag or paper towel around or near the nozzle portion of the cartridge.



**Note:** If there is a small “burp” of adhesive, the rag or paper towel will contain any adhesive and allow for clean up prior to attaching the disposable nozzle.

7. While holding the adhesive cartridge with heat resistant gloves, turn plastic disposable nozzle tip counterclockwise to remove, and discard plastic disposable nozzle with cured adhesive.
8. Select and install a fresh disposable nozzle and thread it clockwise until the base of the nozzle is tight and or flush with the cartridge using supplied nozzle wrench to aid tightening.
9. Insert adhesive cartridge complete with plastic disposable nozzle in the applicator as shown.



# Reloading Applicator (continued)

## Preheated Cartridge Reload

### ⚠ Caution

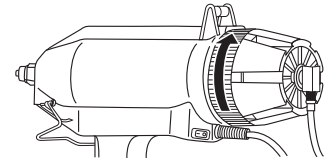
Avoid contact with hot adhesive, cartridge, applicator tip, and metal components. **May cause burns.**

**IMPORTANT:** Wear heat resistant gloves and safety glasses when using.

### ⚠ WARNING

3M™ Scotch-Weld™ Polyurethane Reactive (PUR) Easy 250 or 3M™ Scotch-Weld™ Polyurethane Reactive Adhesive Cartridges should be preheated or used in 3M™ Scotch-Weld™ Polyurethane Reactive (PUR) Easy 250 Adhesive Preheater or 3M™ Scotch-Weld™ (PUR) Easy 250 Adhesive Applicator only. Do not preheat 3M™ Scotch-Weld™ Polyurethane Reactive (PUR) Easy 250 or 3M™ Scotch-Weld™ Polyurethane Reactive Adhesive Cartridges in ovens or other heating devices or use in other applicators. **May cause hazardous conditions.**

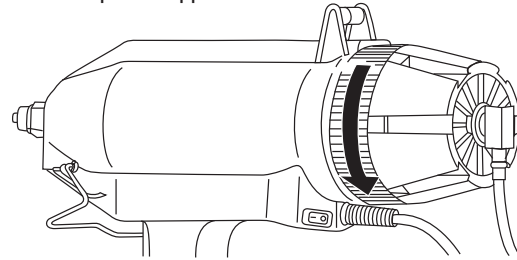
10. Tighten applicator end cap clockwise to ensure a positive seal. Allow cartridge to warm for a minimum of 45 minutes. Follow “Dispensing” procedure for trouble free operation.



### Important

**Adhesive will resist flowing through applicator if total heat history of adhesive cartridge at application temperature exceeds 16 hours (total time in preheater and in applicator). Properly discard any adhesive cartridge that has been heated longer than 16 hours and replace with a new, heated cartridge.**

1. If applicator is cold, turn it on and allow to heat for five (5) minutes.
2. Unscrew and remove end cap from applicator.



3. Remove empty cartridge with attached plastic disposable nozzle from applicator and discard.
4. Select a heated 3M™ Scotch-Weld™ Polyurethane Reactive (PUR) Easy 250 Adhesive Cartridge from the 3M™ Scotch-Weld™ Polyurethane Reactive (PUR) Easy 250 Preheater and place on a bench or flat work surface with threaded nozzle pointing upward. Allow cartridge to stand for 60 seconds. (Follow “3M™ Scotch-Weld™ Polyurethane Reactive (PUR) Easy 250 Preheater User’s Manual”).
5. Place a rag or paper towel around or near the nozzle portion of the cartridge.
6. Place a punch or similar tool into the nozzle portion of the cartridge as shown.



**Note:** If there is a small “burp” of adhesive, the rag or paper towel will contain any adhesive and allow for clean up prior to attaching the disposable nozzle.

7. Tap the punch handle using a hammer, mallet or similar instrument until the front aluminum seal of the cartridge has been pierced.



## Preheated Cartridge Reload

### Caution

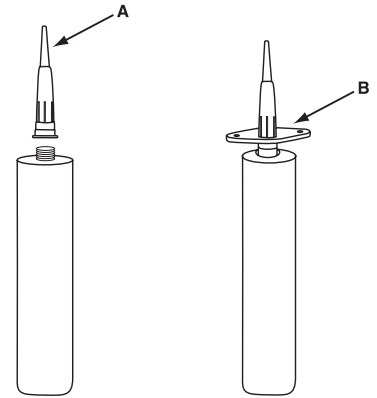
Avoid contact with hot adhesive, cartridge, applicator tip, and metal components. **May cause burns.**

**IMPORTANT:** Wear heat resistant gloves and safety glasses when using.

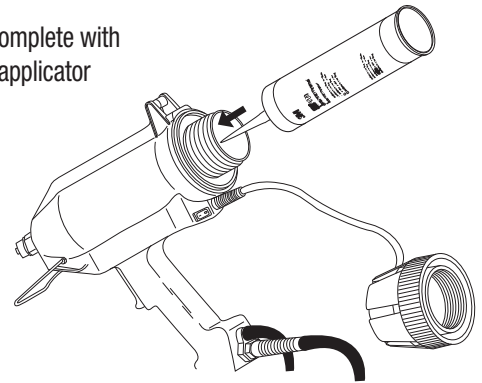
### WARNING

Use only 3M™ Scotch-Weld™ Polyurethane Reactive (PUR) Easy 250 or 3M™ Scotch-Weld™ Polyurethane Reactive Adhesive Cartridges. Use with any other material may cause hazardous conditions.

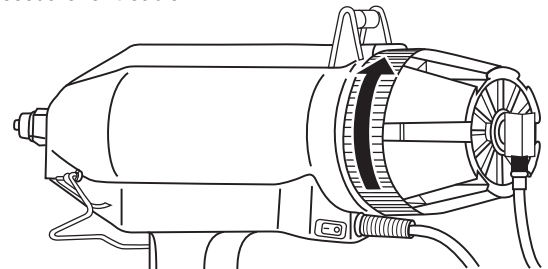
8. Select and install a disposable nozzle (A) provided with the 3M™ Scotch-Weld™ Polyurethane Reactive (PUR) Easy 20 or 3M™ Scotch-Weld™ Polyurethane Reactive Adhesive onto the cartridge by turning the nozzle clockwise until the nozzle base is tight or flush with the cartridge using the supplied plastic wrench (B) to aid tightening."



9. Insert adhesive cartridge complete with disposable nozzle into the applicator as shown.



10. Tighten applicator end cap to insure a positive seal by turning clockwise and follow "Dispensing" procedure for trouble free operation.



## Applicator Shutdown

### Caution

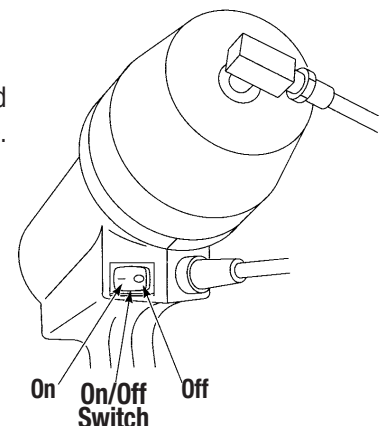
Avoid contact with hot adhesive, cartridge, applicator tip, and metal components. **May cause burns.**

**IMPORTANT:** Wear heat resistant gloves and safety glasses when using.

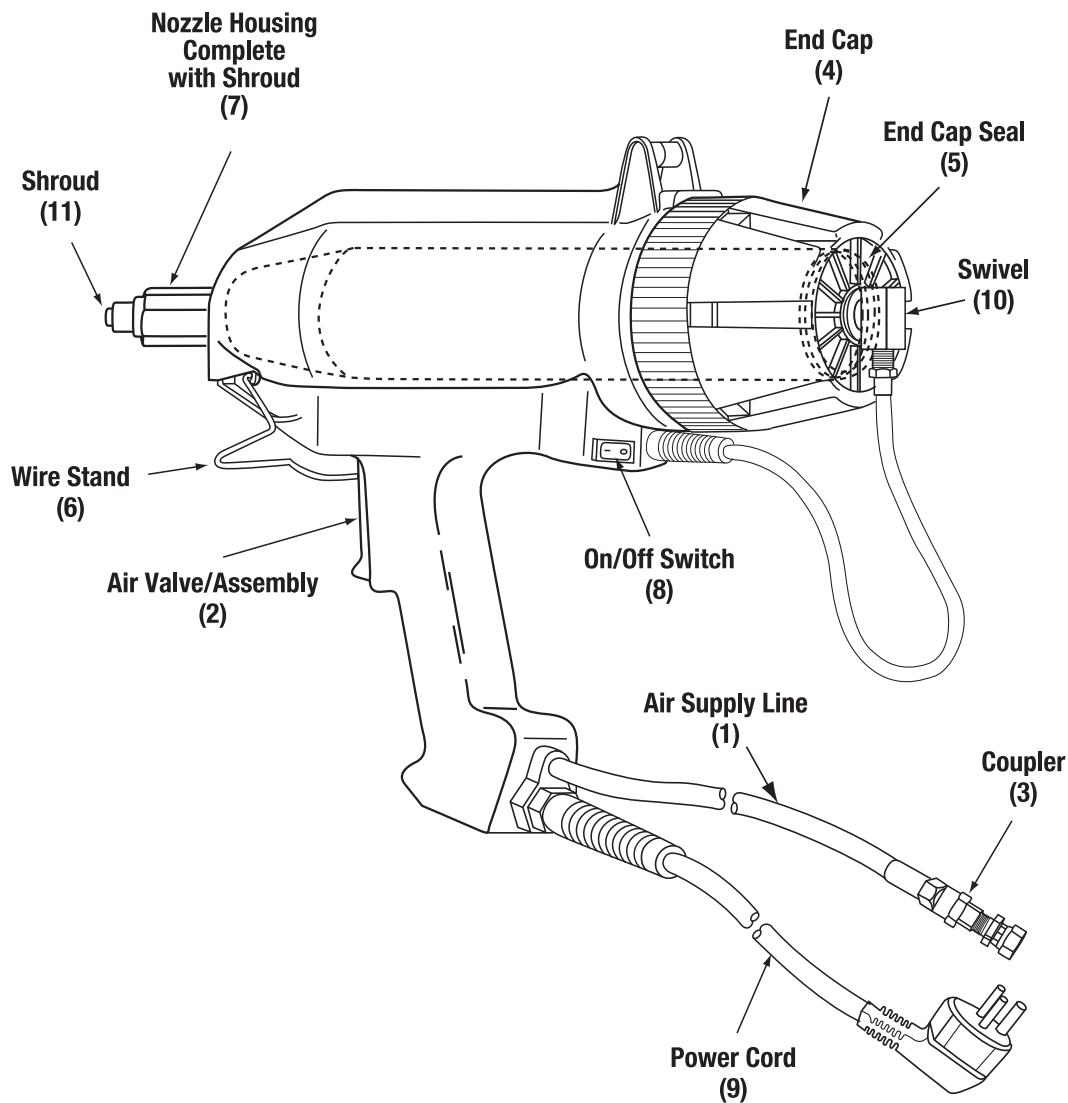
### Important

**Do not remove cartridge from applicator! Cartridge must remain sealed during applicator shutdown.** Failure to do so will allow moisture to cure the adhesive in the cartridge and render it unusable.

1. Push on/off switch to "OFF" position. The red portion of the switch will no longer be visible.



# Applicator Diagram and Replacement Parts List

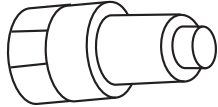
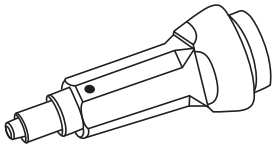
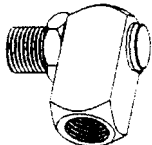
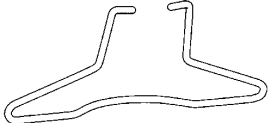

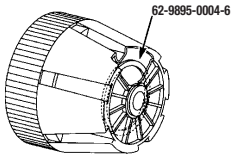
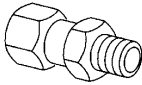


**! WARNING**  
 Use only 3M-specified replacement parts. Use of other replacement parts **may cause hazardous conditions or damage the applicator.**

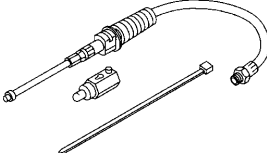
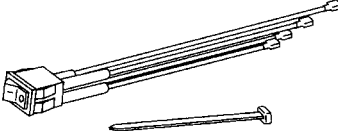
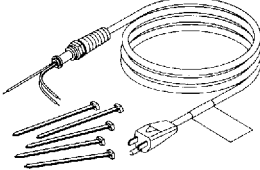
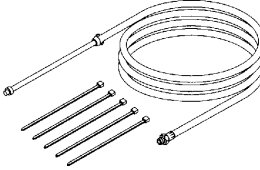
All 3M™ Scotch-Weld™ Polyurethane Reactive (PUR) Easy 250 Adhesive Applicator Replacement Parts contain replacement procedure.

(1) Air Supply .....	62-9895-0005-3
(2) Air Valve Kit .....	62-9845-0009-0
(3) Coupler Filter .....	62-9895-0001-2
(4) End Cap .....	62-9895-0003-8
(5) End Cap Seal .....	62-9895-0004-6
(6) Wire Stand .....	62-9895-0033-5
(7) Nozzel Housing Complete with Shroud .....	62-9845-9950-4
(8) On/Off Switch .....	62-9895-0024-4
(9) Power Cord .....	62-9895-0021-0
(10) Swivel Connector .....	62-9845-9934-0
(11) Nozzel Shroud .....	62-9845-0029-8

# 3M™ Scotch-Weld™ Polyurethane Reactive (PUR) Easy 250 Adhesive Applicator REPLACEMENT PARTS and ACCESSORIES

Description	Stock Number	Contents
Shroud 3/bag	62-9845-0029-8	
Nozzel Housing with Tip Shroud Assembly	62-9865-9950-4	
Swivel Connector	62-9845-9934-0	
Wire Stand	62-9895-0033-5	
End Cap Seal	62-9895-0004-6	
End Cap	62-9895-0003-8	
Coupler Filter	62-9895-0001-2	

# 3M™ Scotch-Weld™ Polyurethane Reactive (PUR) Easy 250 Adhesive Applicator REPLACEMENT PARTS and ACCESSORIES

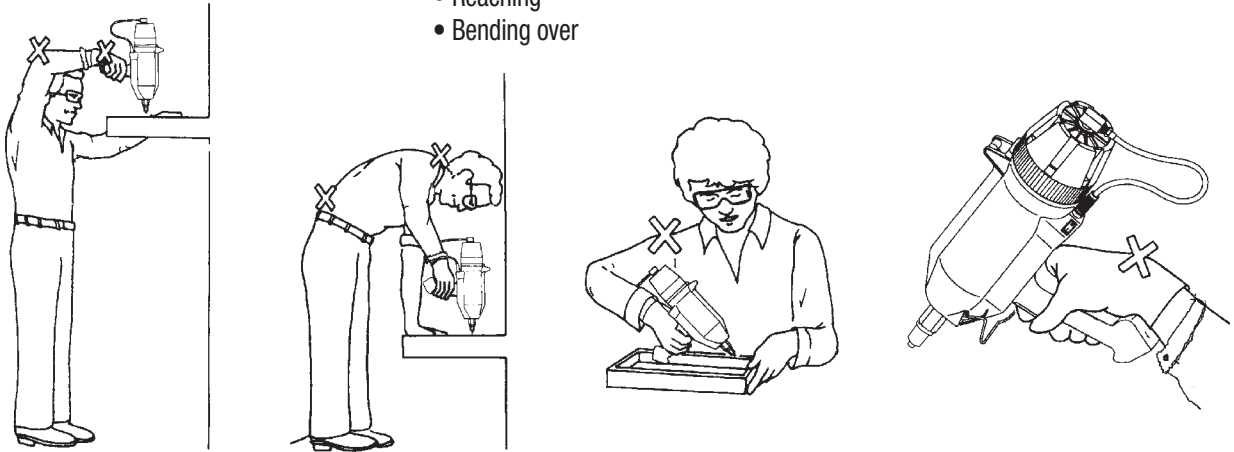
Description	Stock Number	Contents
Air Valve Kit	62-9845-0009-0	
On/Off Switch Kit	62-9895-0024-4	
Power Cord Kit	62-9895-0021-0	
Air Supply Line Kit	62-9895-0005-3	

# Operating Productivity and Comfort

Avoid positions that can produce irritation of nerves, muscles, tendons, and cartilage of shoulder, elbow, wrist, hand, and back.

Avoid:

- Raised elbow
- Bent wrist
- Reaching
- Bending over



Adjust your workstation so you can:

- Stand or sit erect.
- Keep your elbows close your sides.
- Hold the applicator with a straight wrist.



# Troubleshooting

## **WARNING**

Use only 3M-specified replacement parts. Use of other replacement parts may cause hazardous conditions or damage the applicator.

This part of the User's Manual is divided into five sections to assist in evaluating possible problems with your 3M™ Scotch-Weld™ Polyurethane Reactive (PUR) Easy 250 Adhesive Applicator.

If the applicator is heating refer to:

<b>Condition 1: No or Low Adhesive Flow/Audible Air Leak</b>	<b>Page 21</b>
<b>Condition 2: No or Low Adhesive Flow/No Audible Air Leak</b>	<b>Page 26</b>
<b>Condition 3: Nozzle Drip</b>	<b>Page 30</b>
<b>Condition 4: Continuous Adhesive Flow</b>	<b>Page 30</b>
<b>Condition 5: Slow Adhesive Shut Off</b>	<b>Page 30</b>

If the applicator will not heat, refer to:

<b>Condition 6: Applicator Will Not Heat</b>	<b>Page 30</b>
--	----------------

An applicator diagram and replacement parts list can be found on page 17. Should your applicator require repair, replacement parts can be ordered from your local authorized 3M™ Scotch-Weld™ Polyurethane Reactive (PUR) Easy 250 or 3M™ Scotch-Weld™ Polyurethane Reactive Adhesive distributor. If, after following these procedures, a problem still exists, contact your local 3M sales representative. For telephone numbers of the nearest 3M location refer to the back cover of this manual.

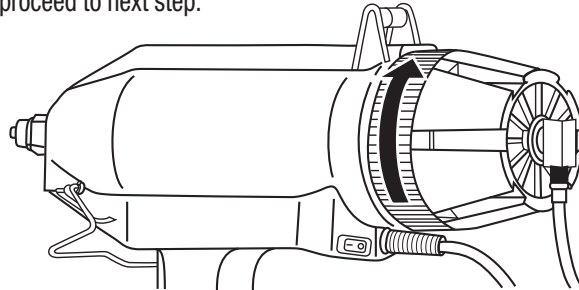
### **Important**

**Service on this applicator should only be performed by a qualified electrician or service person.**

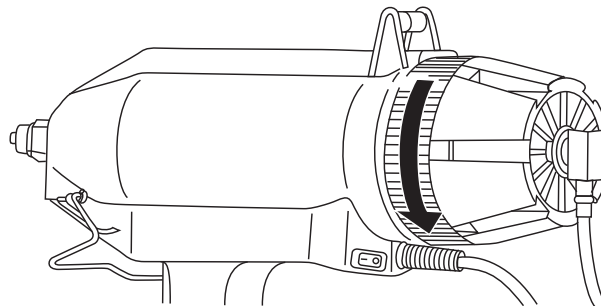
**Condition 1:  
No or Low Adhesive Flow/  
Audible Air Leak**

Perform the following steps until adhesive flow is achieved.

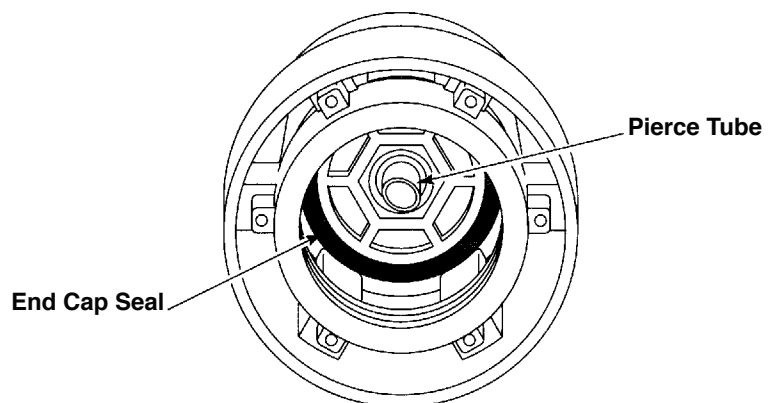
1. Tighten applicator end cap to ensure positive seal. If this does not produce adhesive flow, proceed to next step.




2. Remove end cap by rotating end cap counterclockwise.



3. Inspect inside of end cap for improperly seated or damaged seal. Reposition or replace seal if necessary with end cap seal 62-9895-0004-6. If this does not produce adhesive flow, proceed to next step.



 <b>Caution</b>
Avoid contact with hot adhesive, cartridge, applicator tip, and metal components. <b>May cause burns.</b>

**IMPORTANT:** Wear heat resistant gloves and safety glasses when using.

## Troubleshooting (continued)

 <b>Caution</b>
Avoid contact with hot adhesive, cartridge, applicator tip, and metal components. <b>May cause burns.</b>

Avoid contact with hot adhesive, cartridge, applicator tip, and metal components. **May cause burns.**

**IMPORTANT:** Wear heat resistant gloves and safety glasses when using.

4. Inspect the 3M™ Scotch-Weld™ Polyurethane Reactive (PUR) Easy 250 or 3M™ Scotch-Weld™ Polyurethane Reactive Adhesive Cartridge for dents or damage and replace with an undamaged cartridge. Dented or damaged cartridges will not allow a proper seal and air will leak past the cartridge.
5. If air leak occurs at connections on the end cap, disconnect air service and tighten connections.
6. If the connections or air line is damaged or broken, replace with air valve assembly 62-9845-0009-0.
7. If air supply line has been cut or damaged, replace air supply line 62-9895-0005-3.
8. If air leak occurs inside the handle, the two handle halves must be separated by following the disassembly procedure, page 23.

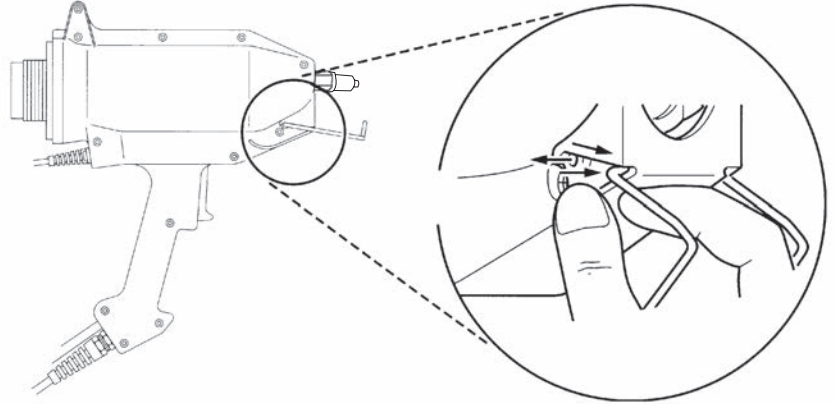


## **⚠ WARNING**

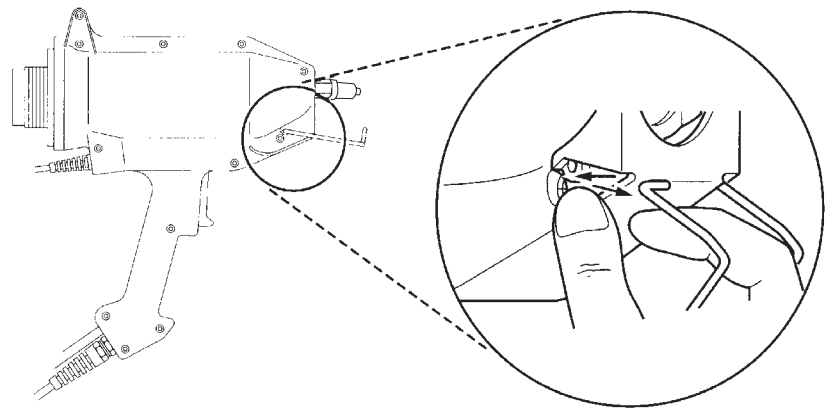
Disconnect air and electrical power and make sure applicator has cooled to room temperature before servicing. Failure to disconnect air and electrical power or failure to allow applicator to cool before servicing **may cause electrical shock or burns**. Read User's Manual before servicing.

### Disassembly Procedure

9. Remove power cord from grounded electrical outlet and disconnect air supply.
10. Remove wire stand by pulling one side just enough to clear wire out of its pivot hole. Let the wire settle into the recess just forward of the pivot hole location.



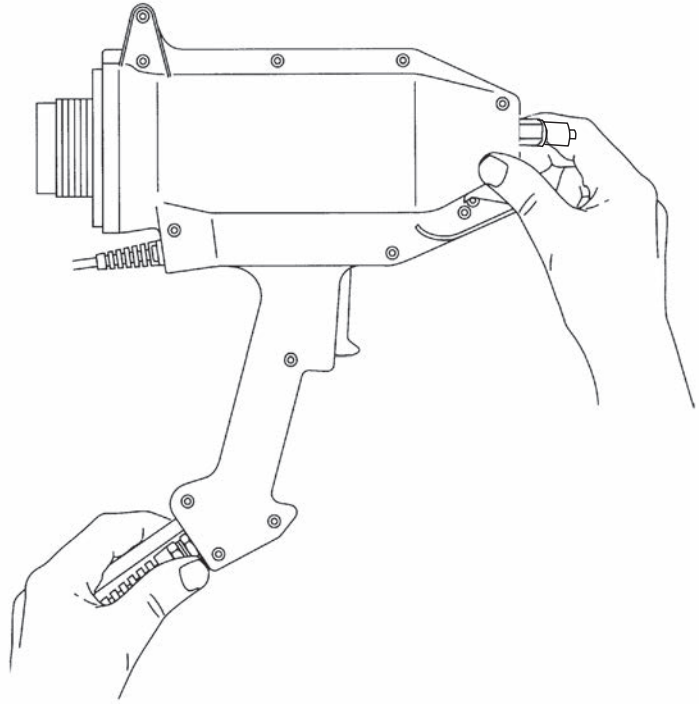
11. Repeat the above procedure on the opposite side of the applicator.
12. Pull either side of the wire stand over the housing, preferably at the lowest point – which is the small groove at the front. Remove the wire stand and set aside.



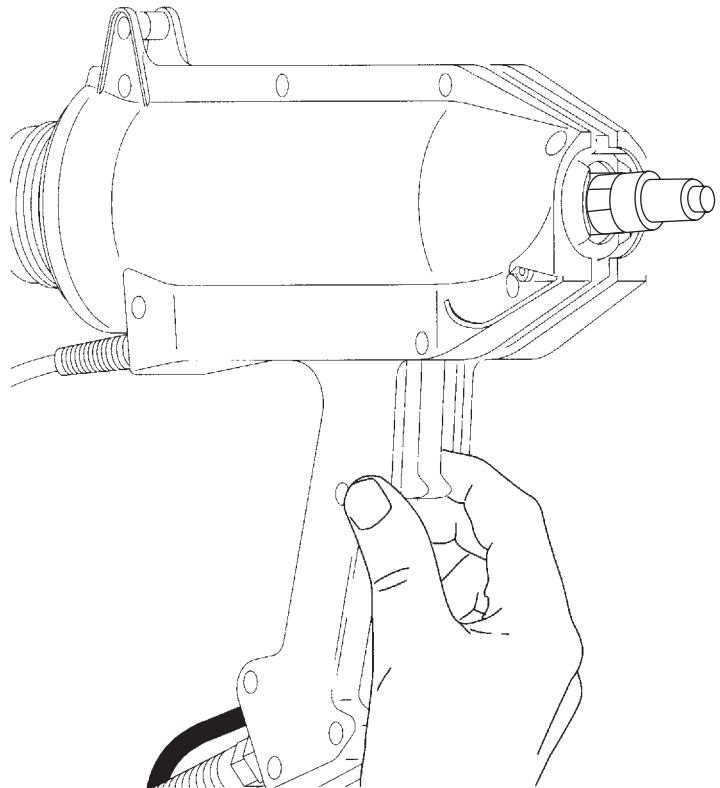
13. Remove end cap by turning it counterclockwise.
14. If possible, remove cartridge with attached nozzle from applicator.
15. Lay applicator on side so screw heads face upward.
16. Unscrew all twelve (12) Phillips head screws.

## Troubleshooting (continued)

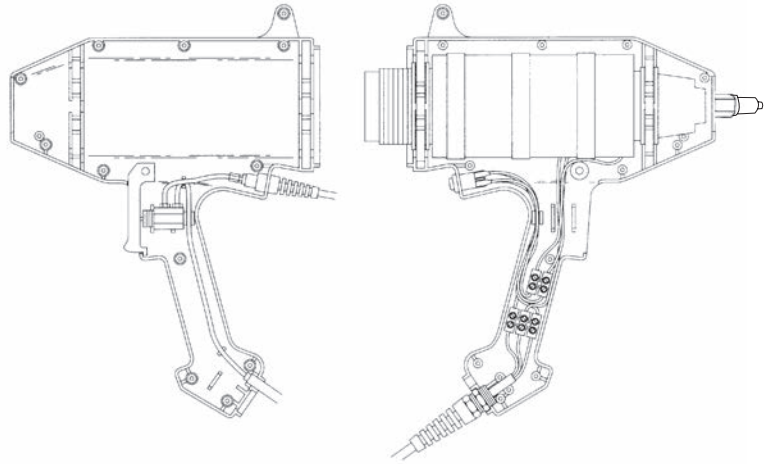
17. Gently pull to separate the two housing halves.



18. Hold the trigger in the upper housing and lift off.



19. Lift and rotate the housing 180 degrees clockwise so both sides are open and all components are visible.



**! WARNING**

Use only 3M-specified replacement parts. Use of other replacement parts **may cause hazardous conditions or damage the applicator.**

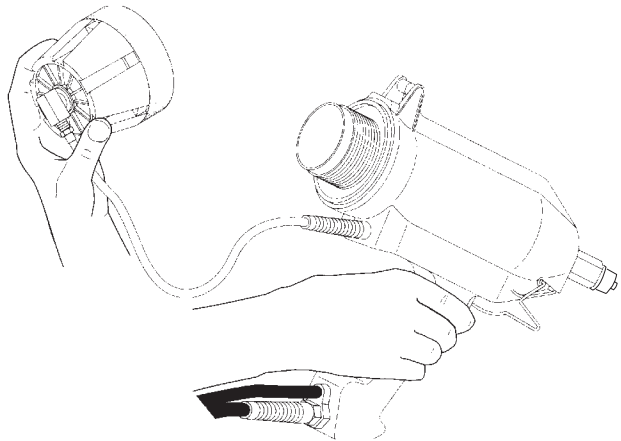
20. Reconnect air supply set at 30-40 psi maximum to help locate air leak.
21. Inspect connections and retighten if necessary. If air valve is leaking or air line going to end cap is leaking or has been damaged, replace with air valve assembly 62-9845-0009-0.
22. If air supply line has been punctured, cut or has been disconnected from air valve assembly, replace or reconnect air supply lines or replace with air supply line 62-9895-0005-3.
23. After inspecting, tightening loose fittings, or replacing parts, reassemble handle halves by following Reassembly Instructions. See page 36.

# Troubleshooting (continued)

## Condition 2: No or Low Adhesive Flow/ No Audible Air Leak

Conduct the following tests if there is **NO** audible air leak but the applicator heats.

1. Check air supply for a pinched line.
2. Remove applicator end cap by turning counterclockwise. Point the end cap away from you and others in the work area, and pull trigger. A steady air stream flowing from the pierce tube indicates air valve and air source are in working order. Proceed to next step. If there is no air flow, proceed to page 28, step 8.

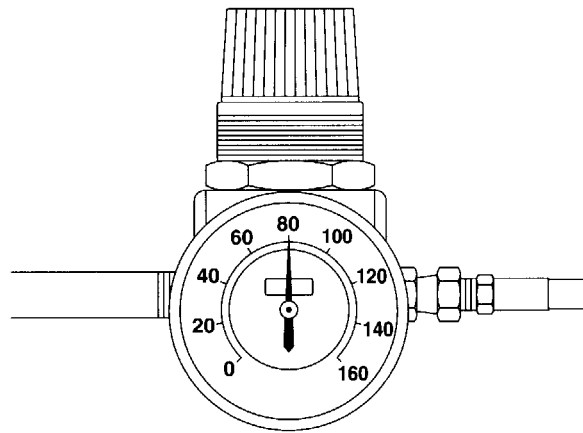


### Caution

Do not connect the applicator to air supply with greater than 80 psi air pressure. **May cause hazardous conditions or damage the applicator.**

**IMPORTANT:** For disposal of adhesive or adhesive components, please read and follow information found on the selected 3M™ Scotch-Weld™ Polyurethane Reactive (PUR) Easy 250 Adhesive MSDS.

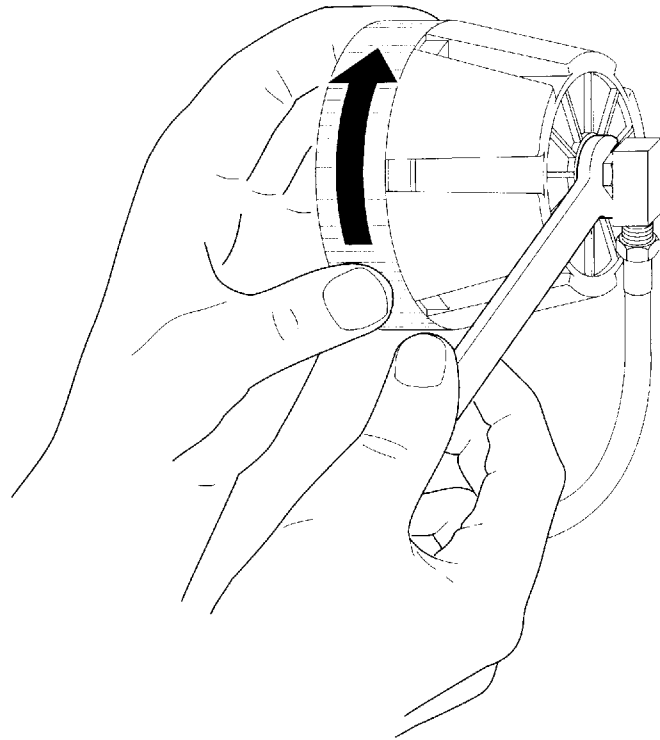
3. Replace and tighten end cap, turning it in a clockwise direction. Increases air pressure to approximately 80 psi. If adhesive begins to flow, readjust to desired pressure. If there is still no or low-adhesive flow, continue to next step.



## WARNING

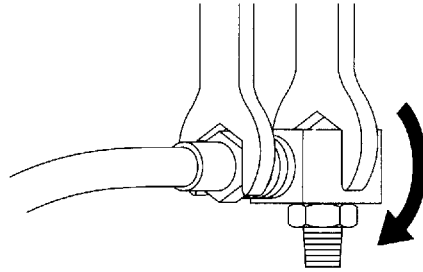
Do not clean or remove 3M™ Scotch-Weld™ Polyurethane Reactive (PUR) Easy 250 or 3M™ Scotch-Weld™ Polyurethane Reactive Adhesive with heat, flame, or solvent. **May cause hazardous vapors or fire.**

4. Cured adhesive in the disposable nozzle could cause adhesive flow to become slow or stop.
5. Remove old plugged disposable nozzle and install new disposable nozzle.
6. If air flow to end cap does not occur when trigger is pulled, check to see that applicator is properly connected to a pressurized air regulator. If connections are properly made and pressure is at 30 psi minimum, proceed to next step.
7. Remove end cap from applicator. Place a 7/16-inch open end wrench on swivel fitting. Hold fitting with wrench and turn end cap in direction of arrow in diagram. Remove end cap and set aside.

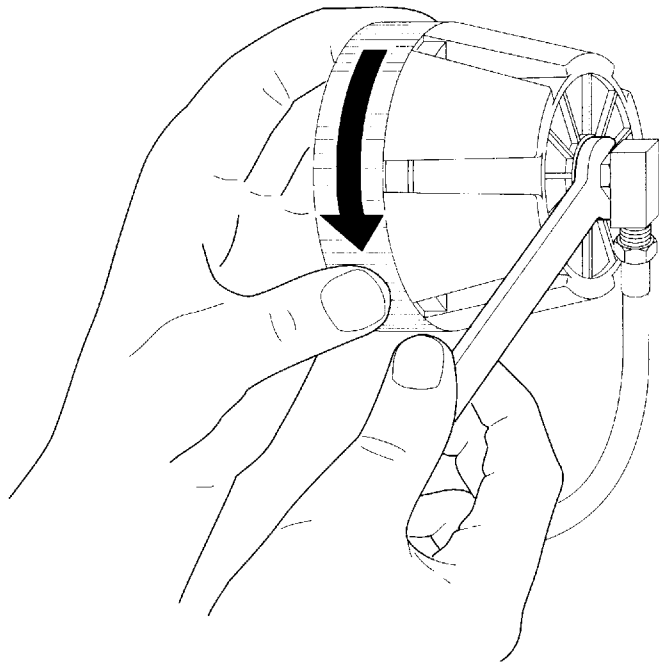


## Troubleshooting (continued)

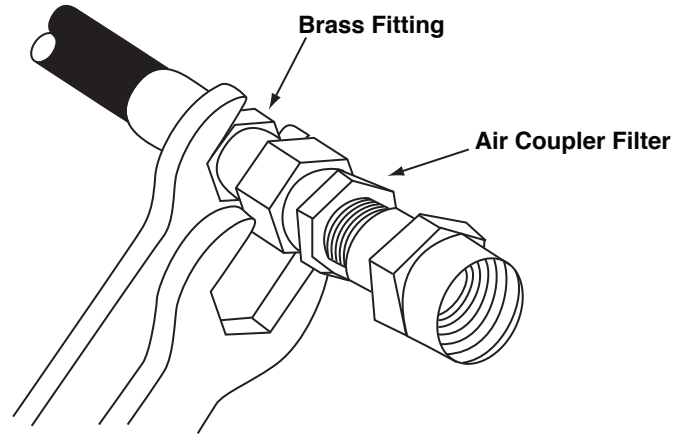
8. Hold swivel and point in a direction away from you and others in the work area and actuate the trigger. If a steady stream of air flows from the swivel, replace the end cap 62-9895-0003-8. If no air flows from the quick exhaust valve, proceed to next step.
9. Remove swivel from air line fitting by holding the fitting with a 7/16-inch wrench while rotating the quick exhaust valve as shown in the diagram, using a 1/2-inch wrench.



10. Hold the air line fitting and point in a direction away from you and others in the work area. Actuate the trigger. If a steady stream of air flows from the fitting, replace swivel connector 62-9845-9934-0.
11. Inspect end cap to make certain opening through the pierce tube is clean and free of obstruction. If obstruction in opening has occurred, replace end cap 62-9895-0003-8.
12. Reconnect end cap onto swivel connector using reverse procedure found in step 7.



13. Disconnect main air line from air source.
14. While holding the brass fitting with a 7/16-inch open end wrench, loosen and remove the air coupler filter using a 9/16-inch open end wrench.



15. Connect the brass fitting to air source. With end cap removed from applicator and pointed in a direction away from you and others in the work area, pull the trigger. If steady stream of air flows from the pierce tube, replace coupler filter 62-9895-0001-2. If no air flows from the pierce tube, proceed to next step.
16. By conducting the above tests, all problems other than the air valve assembly have been eliminated. Replace air valve/trigger assembly 62-9845-0009-0.

**Note**

If after replacing air valve assembly, the applicator fails to operate properly, contact your local 3M representative.

# Troubleshooting (continued)

## Condition 3: Nozzle Drip

This problem may occur after a several day shutdown period because the material around the plunger in the rear of the cartridge has begun to cure. This problem should be eliminated after a short period of use or when a new adhesive cartridge is introduced. If dripping continues, replace disposable nozzle.

## Condition 4: Continuous Adhesive Flow

If adhesive continues to flow when the trigger is released, one of the following has occurred: First remove the applicator end cap. If air releases and adhesive flow stops, the air valve kit (part # 62-9845-0009-0) should be replaced. If adhesive continues to flow, air has gotten in front of the internal plunger. This is a result of either a lack of a proper moisture removal system at the applicator air connection, or the removal of the adhesive cartridge from the applicator and exposure to moisture, or not allowing a 45 minute warm up period. After adhesive has stopped flowing, remove and replace the adhesive cartridge and follow start procedure.

## Condition 5: Slow Adhesive Shut Off

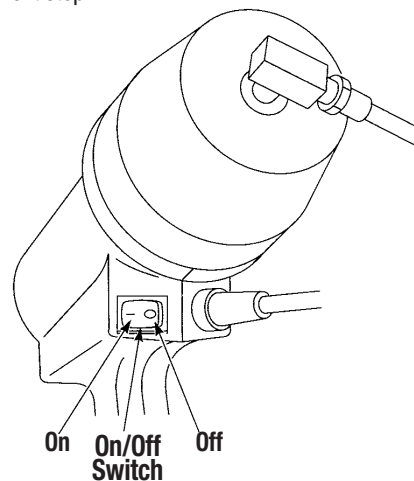
If after releasing the trigger on the applicator, adhesive continues to flow from the tip for a few seconds before shutting off, the air valve kit (62-9845-0009-0) may need replacement. This can occur as a result of moist, oily or dirty air partially plugging the exhaust system.

## Condition 6: Applicator Will Not Heat

### Important

**Troubleshooting steps should be conducted by a qualified electrician or service person.**

1. Check electrical outlet. If no power, contact electrician; if outlet has power, proceed to next step.
2. Push on/off switch to "on" position indicated by visible red portion of switch. If no heat; proceed to next step.



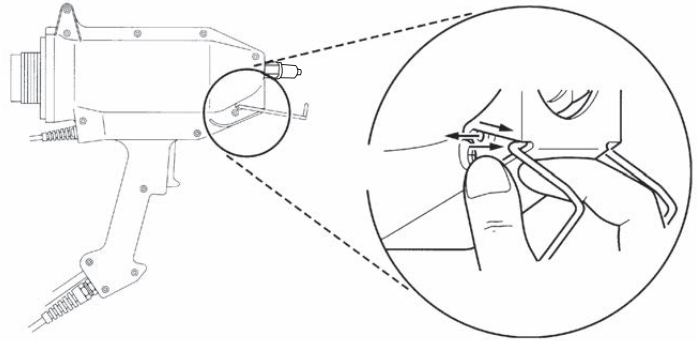
### Important

**Remove power cord from grounded electrical outlet and disconnect air supply before conducting any further evaluations or repairs.**

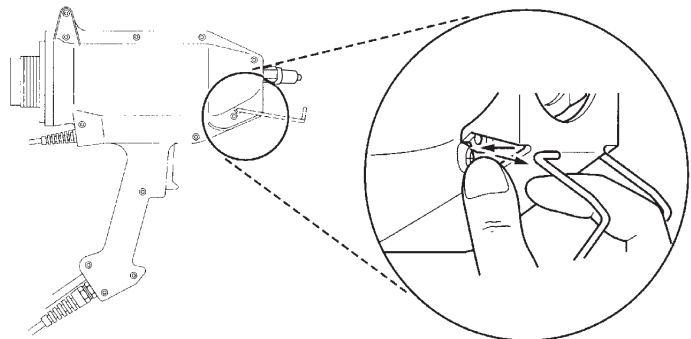


## Disassembly Procedure

3. Remove wire stand by pulling one side just enough to clear wire out of its pivot hole. Let the wire settle into the recess just forward of the pivot hole location.



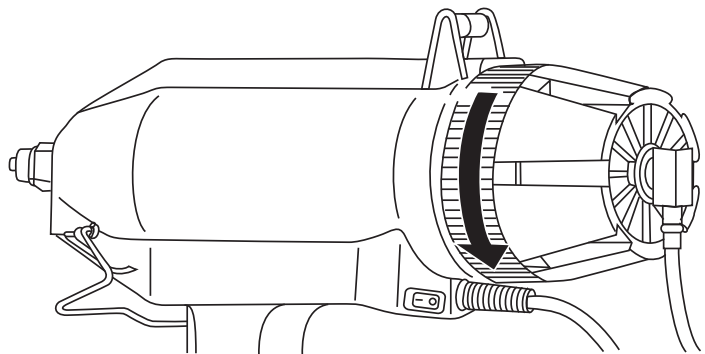
4. Do the same with the opposite side of the wire stand.
5. Pull either side of the wire stand over the housing, preferably at the lowest point – which is the small groove at the front. Remove the wire stand and set aside.



### **! WARNING**

Disconnect air and electrical power and make sure applicator has cooled to room temperature before servicing. Failure to disconnect air and electrical power or failure to allow applicator to cool before servicing **may cause electrical shock or burns**. Read User's Manual before servicing.

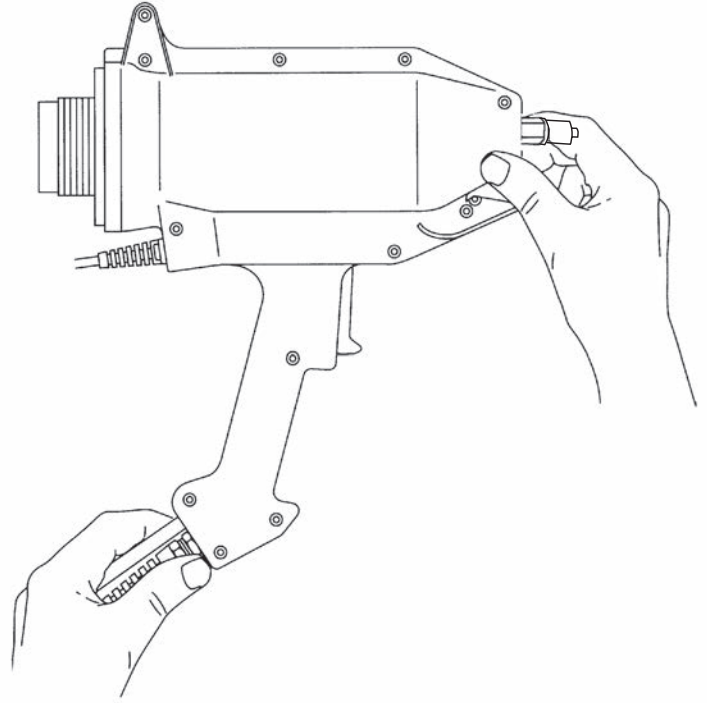
6. Remove end cap by turning counterclockwise.



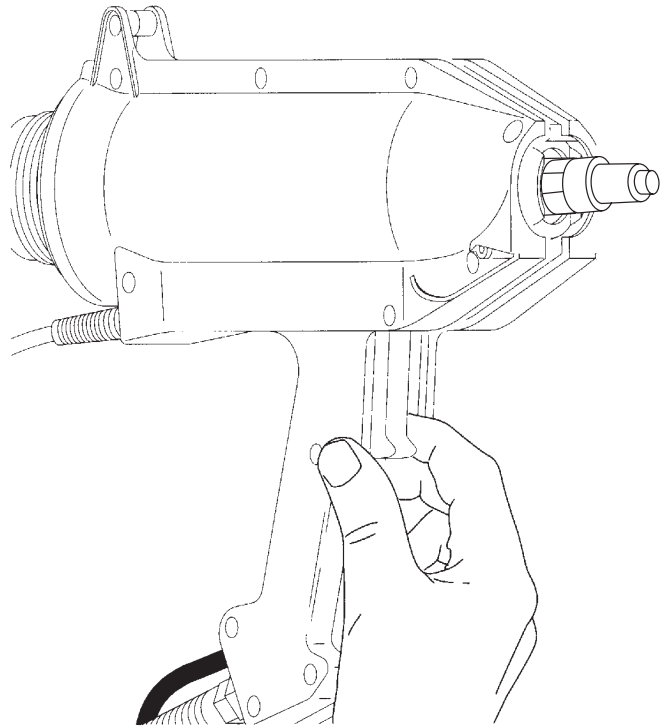
7. If possible, remove cartridge and nozzle.
8. Lay applicator on side so screw heads face upward.

# Troubleshooting (continued)

9. Unscrew all twelve (12) Phillips head screws.
10. Gently pull to separate the two housing halves.



11. Hold the trigger in the upper housing and lift off.



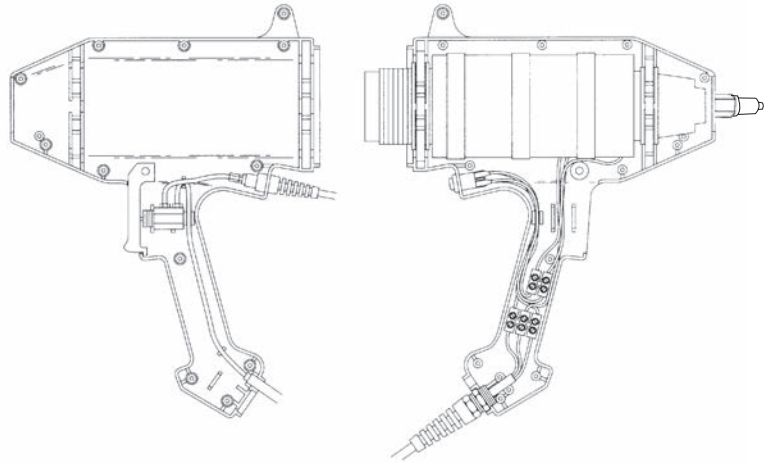
## WARNING

Disconnect air and electrical power and make sure applicator has cooled to room temperature before servicing. Failure to disconnect air and electrical power or failure to allow applicator to cool before servicing **may cause electrical shock or burns**. Read User's Manual before servicing.

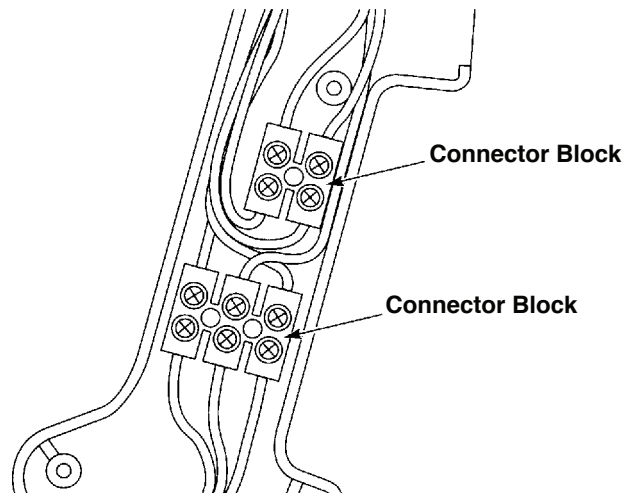
**⚠ WARNING**

Disconnect air and electrical power and make sure applicator has cooled to room temperature before servicing. Failure to disconnect air and electrical power or failure to allow applicator to cool before servicing **may cause electrical shock or burns**. Read User's Manual before servicing.

12. Lift and rotate the housing 180 degrees clockwise so both sides are open and all components are visible.

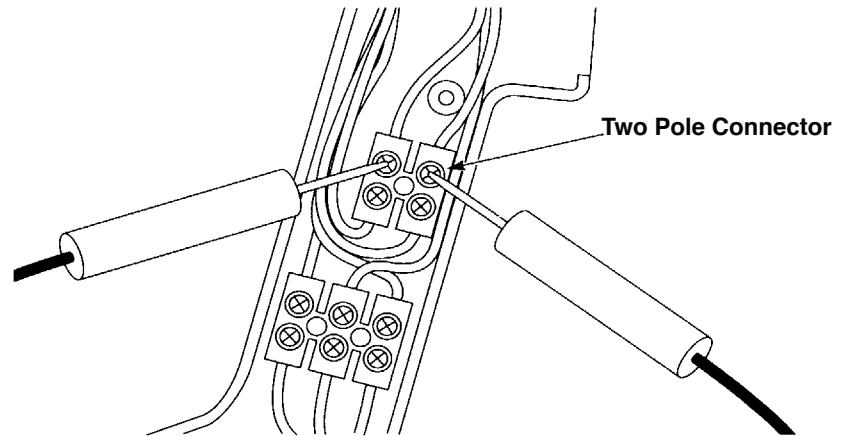


13. Inspect all wire connections for loose or disconnected wires by making certain screws in all connector blocks are securing the wires properly. If any connections are loose and have pulled out of connector blocks, reconnect and tighten connection per wiring diagram.



## Troubleshooting (continued)

14. Use volt/ohm meter to check the heat tube assembly. Place one probe in upper left position of two pole connector blocks. With the other meter probe, touch the connector on upper right side of two pole connector.

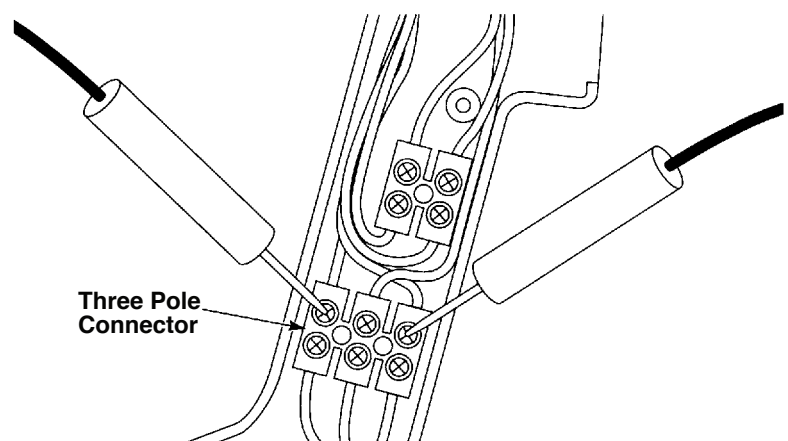


15. If no continuity exists and applicator is still within the 12 month warranty period. Contact your nearest 3M sales representative or authorized 3M™ Scotch-Weld™ Polyurethane Reactive (PUR) Adhesive distributor. If applicator is past the 12 month warranty period, contact your nearest 3M sales representative or authorized 3M™ Scotch-Weld™ Polyurethane Reactive (PUR) Adhesive distributor to inquire about a “refurbish” program. If continuity does exist, proceed to the next step.

### WARNING

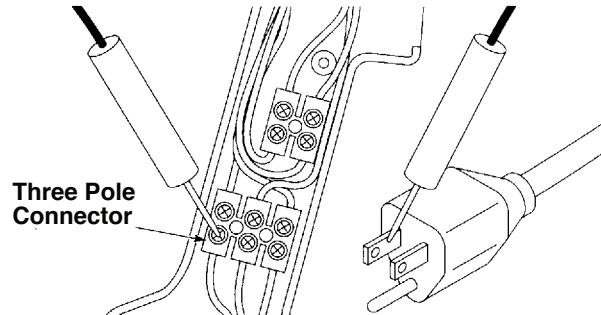
Disconnect air and electrical power and make sure applicator has cooled to room temperature before servicing. Failure to disconnect air and electrical power or failure to allow applicator to cool before servicing **may cause electrical shock or burns**. Read User's Manual before servicing.

16. Using a volt/ohm meter to check on/off switch, **first push switch to “ON” position** indicated by visible red portion of switch. Place one probe in upper left position of three pole connector block. With the other meter probe, touch the connector on upper side right of three pole connector block.



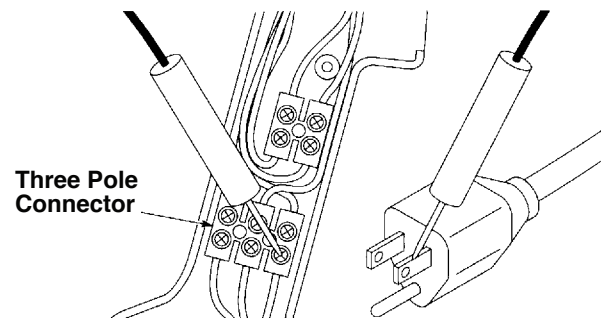
17. If no continuity exists, replace on/off switch assembly 62-9895-0024-4. If continuity exists, proceed to next step.

- Using a volt/ohm meter to check power cord, place one probe in lower left position of three pole connector containing black wire. Connect the other probe to the left side of the electrical plug.



Move the cord back and forth to insure there is not a partial or intermittent connection.

- If no or intermittent continuity exists, replace power cord assembly 62-9895-0021-0.
- If continuity exists place one probe of the volt/ohm meter into lower right position of three pole connector containing white wire. Connect the other probe to the neutral side of the electrical plug. Move the cord back and forth to insure there is not a partial or intermittent connection.



- If no or intermittent continuity exists, replace power cord assembly 62-9895-0021-0.
- If power cord has continuity but unit still does not heat, repeat troubleshooting steps or contact your local 3M representative.

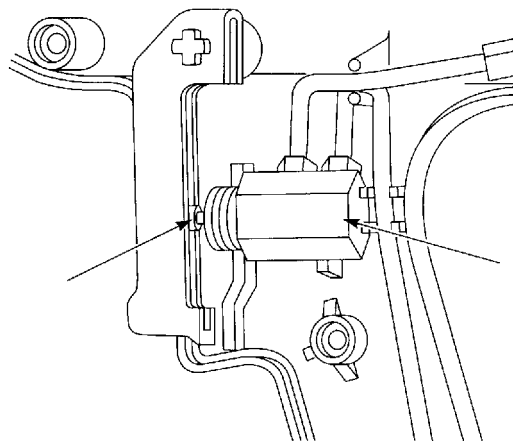
### **⚠ WARNING**

Disconnect air and electrical power and make sure applicator has cooled to room temperature before servicing. Failure to disconnect air and electrical power or failure to allow applicator to cool before servicing **may cause electrical shock or burns**. Read User's Manual before servicing.

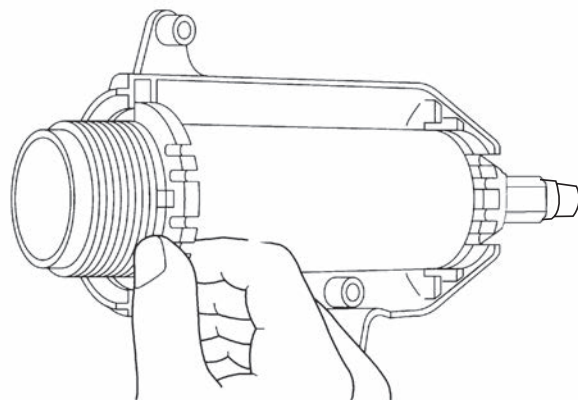
# Applicator Reassembly Procedure

The housing assembly is generally in reverse order of the disassembly procedure with the following precautions:

1. Make sure the trigger is on the valve button before locating the valve in position. Position the valve so the fittings are pointing away from you and down along the inside surface of the housing. The flat portion of the hex on the valve should be positioned as shown.



2. If thermal standoffs have been removed or have come out of housing, push the standoffs into position on the heat tube. Make sure they are fully engaged with the keys in the heat tube and there is not a gap between the opposing standoffs.



3. Hold air line in its groove at the bottom of the handle when placing the air side onto the electrical side.
4. Do not force the housing halves together. Recheck position of trigger and valve if they will not mate properly. Make sure heat tube is in its proper position if it has been removed.
5. Replace twelve (12) philips head screws and tighten. Do not overtighten screws.
6. Connect electrical and air supplies.
7. After sufficient heating (up to 35 minutes may be required) check for proper operation.

## **⚠ WARNING**

Use only 3-prong grounded plug and properly grounded outlet. Failure to use properly grounded plug and outlet **may cause electrical shock.**

**IMPORTANT:** If you are not sure of proper connections, get help from a qualified electrician or service person.

## **⚠ Caution**

Do not connect the applicator to air supply with greater than 80 psi air pressure. **May cause hazardous conditions or damage the applicator.**

**IMPORTANT:** For disposal of adhesive or adhesive components, please read and follow information found on the selected 3M™ Scotch-Weld™ Polyurethane Reactive (PUR) Easy 250 Adhesive MSDS.

## Warranty/Important Notice/Limitation of Remedies/Limitation of Liability

---

### During Warranty Period

Contact your authorized 3M™ Scotch-Weld™ Polyurethane Reactive (PUR) Adhesive distributor.

---

### After Warranty Period

The 3M™ Scotch-Weld™ Polyurethane Reactive (PUR) Easy 250 Adhesive Applicator has been engineered to be durable and reliable. Recognizing that it will eventually need maintenance, we have made it easy to disassemble and repair.

Should your 3M™ Scotch-Weld™ Polyurethane Reactive (PUR) Easy 250 Adhesive Applicator require repair, you can contact your local 3M representative to order replacement parts, or inquire about a refurbish program.

---

### Important Notice

User is responsible for determining whether the 3M™ Scotch-Weld™ Polyurethane Reactive (PUR) Easy 250 Adhesive Applicator is fit for a particular purpose and suitable for user's method of application.

---

### Warranty

3M warrants for 12 months from the date of purchase or use, whichever occurs first, that the 3M™ Scotch-Weld™ Polyurethane Reactive (PUR) Easy 250 Adhesive Preheater will be free from defects in material and manufacture. **3M MAKES NO OTHER WARRANTIES, EXPRESS OR IMPLIED, INCLUDING, BUT NOT LIMITED TO, ANY IMPLIED WARRANTY OF MERCHANTABILITY OR FITNESS FOR A PARTICULAR PURPOSE OR ANY IMPLIED WARRANTY ARISING OUT OF A COURSE OF DEALING, CUSTOM, OR USAGE OF TRADE.** This warranty does not cover routine maintenance, normal wear and tear, or damage resulting from accident, misuse, alteration, corrosion, lack of reasonable care, service performed by an unauthorized repair service, use of unauthorized replacement parts or accessories, or installation, use, operation, or maintenance not in accordance with 3M recommended procedures, or use of adhesive cartridges not manufactured by 3M or not subject to 3M quality standards.

---

### Limitation of Remedies

If the 3M™ Scotch-Weld™ Polyurethane Reactive (PUR) Easy 250 Adhesive Preheater is proven to be defective within the warranty period stated above, **THE EXCLUSIVE REMEDY, AT 3M'S OPTION, SHALL BE TO REFUND THE PURCHASE PRICE OF OR TO REPAIR OR REPLACE THE DEFECTIVE 3M PREHEATER**, provided that the defective preheater is, at 3M's choice, returned immediately to 3M or an authorized service representative designated by 3M, or made available at user's premises in a location suitable for servicing.

---

### Limitation of Liability

3M shall not otherwise be liable for loss or damages, whether direct, indirect, special, incidental, or consequential, regardless of the legal or equitable theory asserted, including contract, negligence, warranty, or strict liability.

## Notes:

**For Additional Product Health and Safety Information, see:**  
Material Safety Data Sheet, or Call:  
**3M Industrial Adhesives and Tapes Division**  
St. Paul, MN 55144-1000 USA  
1-800-364-3577  
[www.3m.com/adhesives](http://www.3m.com/adhesives)  
3M and Scotch-Weld are trademarks of 3M Company  
© 3M 2014. All rights reserved.  
Made in USA with Globally Sourced Materials. Printed in USA.  
34-8714-0307-6



# 3M

## Scotch-Weld<sup>MC</sup>

Applicateur d'adhésif de polyuréthane réactif 250 PUR Easy

### Manuel d'utilisation

120V. USA
100V. JAPAN
120V. USA REFURB



À utiliser uniquement avec l'adhésif de polyuréthane réactif 250 PUR Easy Scotch-Weld<sup>MC</sup> 3M<sup>MC</sup> ou l'adhésif de polyuréthane réactif Scotch-Weld<sup>MC</sup> 3M<sup>MC</sup>. Lire toutes les directives avant l'utilisation.

# Table des matières

Directives de sécurité importantes .....	1
Adhésif de polyuréthane réactif 250 PUR Easy Scotch-Weld <sup>MC</sup> 3M <sup>MC</sup> .....	1
Utilisation de l'applicateur d'adhésif 250 PUR Easy Scotch-Weld <sup>MC</sup> 3M <sup>MC</sup> .....	1
Réparation de l'applicateur d'adhésif 250 PUR Easy Scotch-Weld <sup>MC</sup> 3M <sup>MC</sup> .....	2
Directives de mise à la terre .....	3
Préparation et installation .....	4 et 5
Insertion d'une cartouche neuve et utilisation .....	6 à 8
Recharge de l'applicateur .....	9 à 15
Insertion d'une cartouche froide.....	9 à 13
Insertion d'une cartouche préchauffée .....	14 à 15
Arrêt de l'applicateur .....	15
Schéma de l'applicateur et liste des pièces de rechange .....	16
Pièces et accessoires .....	17 et 18
Confort et productivité de l'utilisateur.....	19
Dépannage .....	20 à 35
Problème 1 : Débit d'adhésif faible ou nul; fuite d'air audible .....	21 à 25
Problème 2 : Débit d'adhésif faible ou nul; fuite d'air inaudible .....	26 à 29
Problème 3 : Écoulement au niveau de la buse .....	30
Problème 4 : Écoulement continu de l'adhésif .....	30
Problème 5 : Arrêt ralenti du débit de l'adhésif .....	30
Problème 6 : L'applicateur ne chauffe pas .....	30 à 35
Réassemblage de l'applicateur .....	36
Garantie/Avis important/Limites de recours et de responsabilité .....	37

# Directives de sécurité importantes

## CONSERVER LES PRÉSENTES DIRECTIVES

Lire toutes les directives avant d'utiliser ce produit.

À utiliser uniquement avec l'adhésif de polyuréthane réactif 250 PUR Easy Scotch-Weld<sup>MC</sup> 3M<sup>MC</sup> ou l'adhésif de polyuréthane réactif Scotch-Weld<sup>MC</sup> 3M<sup>MC</sup>.

Pour obtenir de plus amples renseignements sur la santé et la sécurité, consulter l'étiquette et la fiche signalétique santé-sécurité de l'adhésif de polyuréthane réactif 250 PUR Easy Scotch-Weld<sup>MC</sup> 3M<sup>MC</sup> avant l'utilisation.

### ⚠ AVERTISSEMENT

Utiliser uniquement les cartouches d'adhésif de polyuréthane réactif 250 PUR Easy Scotch-Weld<sup>MC</sup> 3M<sup>MC</sup> ou d'adhésif de polyuréthane réactif Scotch-Weld<sup>MC</sup> 3M<sup>MC</sup>. L'utilisation d'autres matériaux **peut entraîner des situations susceptibles d'être dangereuses.**

### ⚠ AVERTISSEMENT

Chauffer ou utiliser les cartouches d'adhésif de polyuréthane réactif 250 PUR Easy Scotch-Weld<sup>MC</sup> 3M<sup>MC</sup> ou d'adhésif de polyuréthane réactif Scotch-Weld<sup>MC</sup> 3M<sup>MC</sup> uniquement avec le préchauffeur ou l'applicateur d'adhésif de polyuréthane réactif 250 PUR Easy Scotch-Weld<sup>MC</sup> 3M<sup>MC</sup>. Ne pas préchauffer les cartouches d'adhésif de polyuréthane réactif 250 PUR Easy Scotch-Weld<sup>MC</sup> 3M<sup>MC</sup> ou d'adhésif de polyuréthane réactif Scotch-Weld<sup>MC</sup> 3M<sup>MC</sup> dans des fours ou autres appareils de chauffage ni les utiliser avec d'autres applicateurs. **Peut entraîner des situations susceptibles d'être dangereuses.**

### ⚠ AVERTISSEMENT

Ne pas exposer l'adhésif de polyuréthane réactif 250 PUR Easy Scotch-Weld<sup>MC</sup> 3M<sup>MC</sup> ou l'adhésif de polyuréthane réactif Scotch-Weld<sup>MC</sup> 3M<sup>MC</sup> à des températures supérieures à 135 °C (275 °F). **Le matériel chauffé dégage des vapeurs pouvant irriter les yeux et les voies respiratoires et entraîner des symptômes semblables à ceux de l'asthme chez les personnes déjà sensibilisées aux isocyanates.**

### ⚠ AVERTISSEMENT

Ne pas enlever l'adhésif de polyuréthane réactif 250 PUR Easy Scotch-Weld<sup>MC</sup> 3M<sup>MC</sup> ou l'adhésif de polyuréthane réactif Scotch-Weld<sup>MC</sup> 3M<sup>MC</sup> avec de la chaleur, une flamme ou un solvant. **Peut dégager des vapeurs dangereuses ou provoquer un incendie.**

### ⚠ AVERTISSEMENT

Éviter tout contact avec des substances inflammables.

## Utilisation de l'applicateur d'adhésif de polyuréthane réactif 250 PUR Easy Scotch-Weld<sup>MC</sup> 3M<sup>MC</sup>

### ⚠ AVERTISSEMENT

Pour réduire tout risque de choc électrique ou de blessure en cours d'utilisation ou d'entretien de l'Applicateur d'adhésif de polyuréthane réactif 250 PUR Easy 3M Scotch-Weld<sup>MC</sup> Manuel d'utilisation Scotch-Weld<sup>MC</sup> 3M<sup>MC</sup>, observer les consignes de sécurité ci-dessous.

1. Utiliser et entretenir l'applicateur uniquement conformément aux directives du présent manuel.
2. Brancher l'applicateur uniquement à une prise de courant adéquate.
3. Ne pas débrancher l'applicateur en tirant sur le cordon. Le débrancher en tenant la fiche et non le cordon.
4. Ne pas manipuler la fiche ou l'applicateur les mains mouillées.
5. Ne pas utiliser l'applicateur à l'extérieur ou sur des surfaces mouillées.
6. Ne pas utiliser l'applicateur si la fiche ou le cordon sont endommagés.
7. Ne pas utiliser l'applicateur s'il ne fonctionne pas correctement, s'il a été échappé, endommagé, immergé dans l'eau ou laissé à l'extérieur.

### ⚠ AVERTISSEMENT

Utiliser seulement une fiche à 3 broches et une prise de courant adéquatement mise à la terre, faute de quoi il peut se produire un **choc électrique.**

**Important:** En cas d'incertitude au sujet des branchements, consulter un électricien ou un responsable de l'entretien qualifié.

### ⚠ AVERTISSEMENT

Ne pas utiliser de rallonge électrique non homologuée avec l'applicateur. Utiliser une rallonge électrique conforme au **Code national de l'électricité** ainsi qu'aux codes provinciaux et locaux et aux autres exigences applicables.

**Important:** Utiliser uniquement une rallonge électrique à trois broches avec mise à la terre du calibre adéquat conforme au Code national de l'électricité ainsi qu'aux codes provinciaux et locaux. L'utilisation d'une rallonge électrique inappropriée **peut causer un choc électrique.**

Suite à la prochaine page

# Directives de sécurité importantes (suite)

## Important POUR UTILISATION INDUSTRIELLE UNIQUEMENT

L'applicateur d'adhésif de polyuréthane réactif 250 PUR Easy Scotch-Weld<sup>MC</sup> 3M<sup>MC</sup> est conçu pour s'utiliser uniquement avec l'adhésif de polyuréthane réactif 250 PUR Easy Scotch-Weld<sup>MC</sup> 3M<sup>MC</sup> ou l'adhésif de polyuréthane réactif Scotch-Weld<sup>MC</sup> 3M<sup>MC</sup>. L'utilisation de cet applicateur avec d'autres adhésifs ou pour une application pour laquelle il n'est pas conçu peut entraîner des situations susceptibles d'être dangereuses.

### Attention

Éviter tout contact avec l'adhésif, la cartouche, la buse de l'applicateur et les composants métalliques chauds. **Peut causer des brûlures.**

**Important:** Porter des gants thermorésistants et des lunettes de protection pendant l'utilisation.

### Attention

Ne pas raccorder l'applicateur à une source d'air comprimé présentant une pression supérieure à 80 lb/po<sup>2</sup>, **car cela risque d'entraîner des situations susceptibles d'être dangereuses ou d'endommager l'applicateur.**

**Important:** Pour la mise au rebut de l'adhésif ou des composants d'adhésif, lire et suivre les renseignements contenus dans la FSSS portant sur l'adhésif de polyuréthane réactif 250 PUR Easy Scotch-Weld<sup>MC</sup> 3M<sup>MC</sup>.

## Réparation de l'applicateur d'adhésif de polyuréthane réactif 250 PUR Easy Scotch-Weld<sup>MC</sup> 3M<sup>MC</sup>

### AVERTISSEMENT

Débrancher l'applicateur de l'alimentation en air et de l'alimentation électrique et s'assurer qu'il est à température ambiante avant d'en effectuer l'entretien. Le fait de procéder à l'entretien de l'applicateur avant qu'il ne soit débranché ou qu'il n'ait refroidi **peut causer un choc électrique ou des brûlures.** Lire le manuel d'utilisation avant l'entretien.

### AVERTISSEMENT

N'utiliser que les pièces de rechange 3M, à défaut de quoi il y a risque de créer des situations susceptibles **d'être dangereuses ou d'endommager l'applicateur.**

### AVERTISSEMENT

Ne pas modifier la fiche de l'applicateur, ni l'utiliser avec un adaptateur ou avec une prise de courant non mise à la terre. Une mise à la terre inadéquate de l'applicateur **peut provoquer un choc électrique.**

**Important:** Si la fiche ne convient pas à la prise murale, consulter un électricien ou un responsable de l'entretien qualifié pour la remplacer par une prise appropriée.

# Directives de mise à la terre

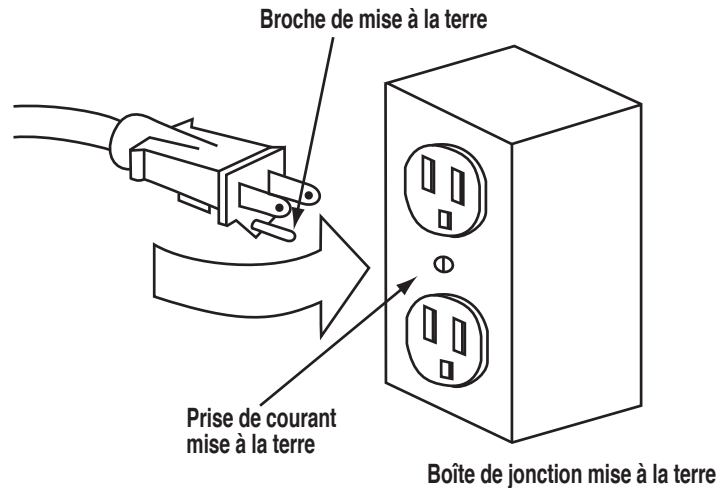
## ⚠ AVERTISSEMENT

Ne pas modifier la fiche de l'applicateur, ni l'utiliser avec un adaptateur ou avec une prise de courant non mise à la terre. Une mise à la terre inadéquate de l'applicateur **peut provoquer un choc électrique.**

**IMPORTANT:** Si la fiche ne convient pas à la prise murale, consulter un électricien ou un responsable de l'entretien qualifié pour la remplacer par une prise appropriée.

Il faut mettre à la terre l'applicateur d'adhésif de polyuréthane réactif 250 PUR Easy Scotch-Weld<sup>MC</sup> 3M<sup>MC</sup>. En cas de défaillance ou de panne de l'applicateur, la mise à la terre sert de circuit de moindre résistance au courant électrique pour réduire les risques de chocs électriques.

Le cordon d'alimentation de l'applicateur et sa fiche sont dotés d'un conducteur assurant la mise à la terre de l'appareil. La fiche doit être utilisée avec une prise de courant correctement installée et mise à la terre, conformément aux codes et aux exigences provinciales et locales.



L'applicateur d'adhésif de polyuréthane réactif 250 PUR Easy Scotch-Weld<sup>MC</sup> 3M<sup>MC</sup> s'utilise sur un circuit d'une tension nominale de 120 V et il est doté d'une fiche de mise à la terre comme le montre l'illustration. S'assurer de brancher l'applicateur dans une prise ayant la même configuration que la fiche. **Ne pas utiliser d'adaptateur.**

# Préparation et installation

## ⚠ Attention

Ne pas raccorder l'applicateur à une source d'air comprimé présentant une pression supérieure à 80 lb/po<sup>2</sup>, car cela risque d'entraîner des situations susceptibles d'être dangereuses ou d'endommager l'applicateur.

**IMPORTANT:** Pour la mise au rebut de l'adhésif ou des composants d'adhésif, lire et suivre les renseignements contenus dans la FSSS portant sur l'adhésif de polyuréthane réactif 250 PUR Easy Scotch-Weld<sup>MC</sup> 3M<sup>MC</sup>.

## ⚠ AVERTISSEMENT

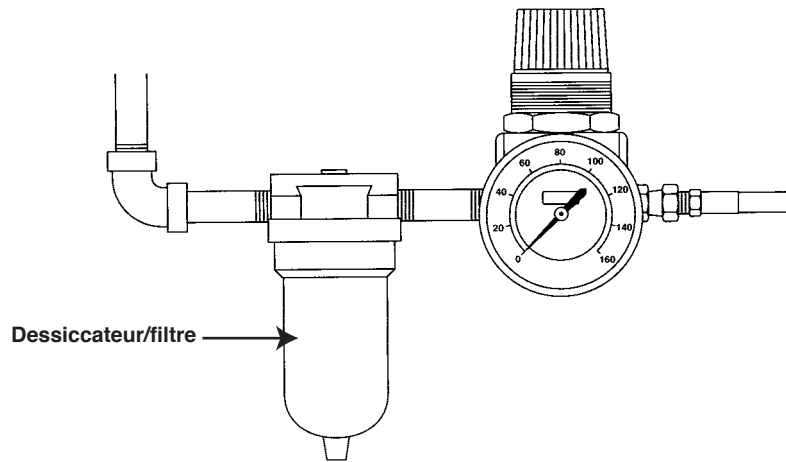
Utiliser seulement une fiche à 3 broches et une prise de courant adéquatement mise à la terre, faute de quoi il peut se produire un choc électrique.

**IMPORTANT:** En cas d'incertitude au sujet des branchements, consulter un électricien ou un responsable de l'entretien qualifié.

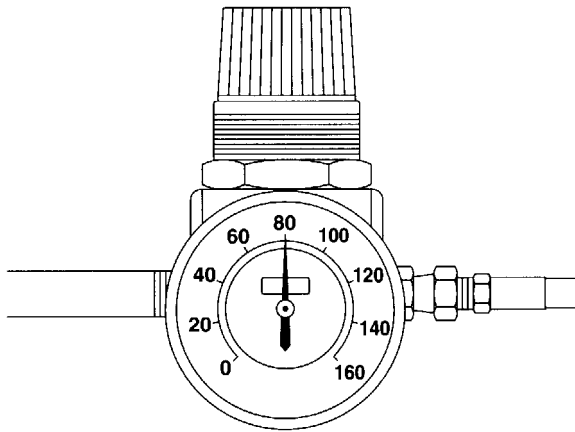
## ⚠ AVERTISSEMENT

Ne pas utiliser de rallonge électrique non homologuée avec l'applicateur. Utiliser une rallonge électrique conforme au *Code national de l'électricité* ainsi qu'aux codes provinciaux et locaux et aux autres exigences applicables.

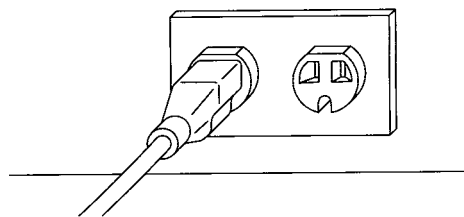
1. Déballez l'applicateur et vérifiez s'il y a des dommages visibles. S'il est endommagé, ne pas l'utiliser et communiquer immédiatement avec le représentant de 3M de sa région.
2. Relier le raccord situé à l'extrémité du tuyau d'alimentation en air comprimé (raccord mâle fileté de 1/4 po) à une source d'alimentation d'air sec filtré avec régulateur (régulateur et filtre non compris).



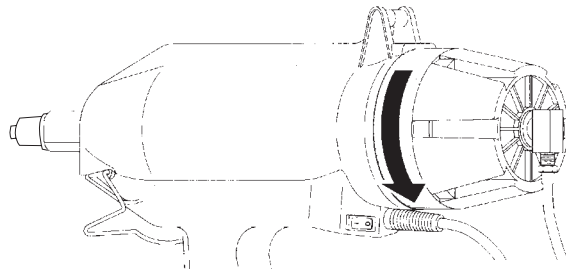
3. Régler le régulateur à une pression initiale de 80 lb/po<sup>2</sup>.



4. Brancher l'applicateur à une prise de courant mise à la terre.



5. Dévisser et retirer le capuchon d'extrémité de l'applicateur.



**⚠ Attention**

Éviter tout contact avec l'adhésif, la cartouche, la buse de l'applicateur et les composants métalliques chauds. **Peut causer des brûlures.**

**IMPORTANT:** Wear heat resistant gloves and safety glasses when using.

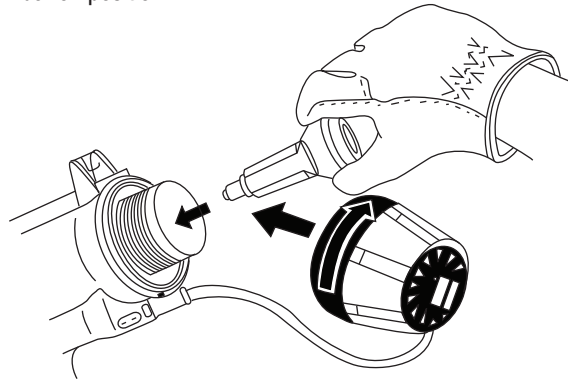
**⚠ AVERTISSEMENT**

Utiliser uniquement des cartouches d'adhésif de polyuréthane réactif 250 PUR Easy Scotch-Weld<sup>MC</sup> 3M<sup>MC</sup> ou d'adhésif de polyuréthane réactif Scotch-Weld<sup>MC</sup> 3M<sup>MC</sup>. L'utilisation d'autres matériaux **peut entraîner des situations susceptibles d'être dangereuses.**

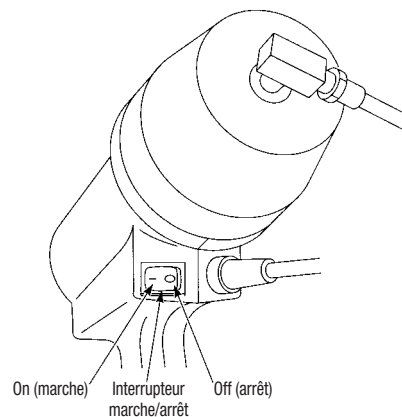
**⚠ AVERTISSEMENT**

Chauffer ou utiliser les cartouches d'adhésif de polyuréthane réactif 250 PUR Easy Scotch-Weld<sup>MC</sup> 3M<sup>MC</sup> ou d'adhésif de polyuréthane réactif Scotch-Weld<sup>MC</sup> 3M<sup>MC</sup> uniquement avec le préchauffeur ou l'applicateur d'adhésif de polyuréthane réactif 250 PUR Easy Scotch-Weld<sup>MC</sup> 3M<sup>MC</sup>. Ne pas préchauffer les cartouches d'adhésif de polyuréthane réactif 250 PUR Easy Scotch-Weld<sup>MC</sup> 3M<sup>MC</sup> ou d'adhésif de polyuréthane réactif Scotch-Weld<sup>MC</sup> 3M<sup>MC</sup> dans des fours ou autres appareils de chauffage ni les utiliser dans d'autres applicateurs. **Peut entraîner des situations susceptibles d'être dangereuses.**

6. Insérer l'ensemble boîtier/manchon de buse à l'arrière de l'applicateur et le laisser tomber en position.



7. Mettre l'interrupteur en position « Marche » (la partie rouge de l'interrupteur est alors visible).



# Insertion d'une cartouche neuve et utilisation

## ⚠ AVERTISSEMENT

Utiliser uniquement des cartouches d'adhésif de polyuréthane réactif 250 PUR Easy Scotch-Weld<sup>MC</sup> 3M<sup>MC</sup> ou d'adhésif de polyuréthane réactif Scotch-Weld<sup>MC</sup> 3M<sup>MC</sup>. L'utilisation d'autres matériaux **peut entraîner des situations susceptibles d'être dangereuses.**

## ⚠ AVERTISSEMENT

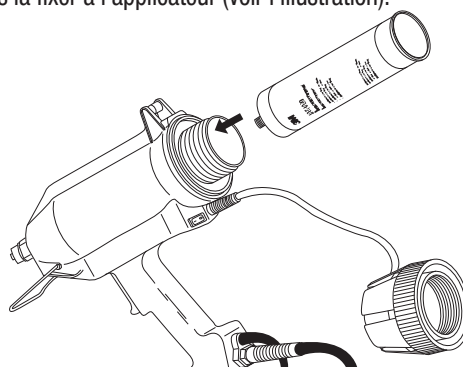
Chauffer ou utiliser les cartouches d'adhésif de polyuréthane réactif 250 PUR Easy Scotch-Weld<sup>MC</sup> 3M<sup>MC</sup> ou d'adhésif de polyuréthane réactif Scotch-Weld<sup>MC</sup> 3M<sup>MC</sup> uniquement avec le préchauffeur ou l'applicateur d'adhésif de polyuréthane réactif 250 PUR Easy Scotch-Weld<sup>MC</sup> 3M<sup>MC</sup>. Ne pas préchauffer les cartouches d'adhésif de polyuréthane réactif 250 PUR Easy Scotch-Weld<sup>MC</sup> 3M<sup>MC</sup> ou d'adhésif de polyuréthane réactif Scotch-Weld<sup>MC</sup> 3M<sup>MC</sup> dans des fours ou autres appareils de chauffage ni les utiliser dans d'autres applicateurs. **Peut entraîner des situations susceptibles d'être dangereuses.**

## ⚠ Attention

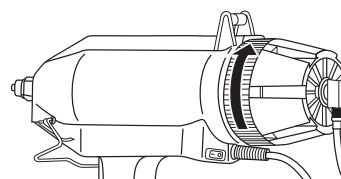
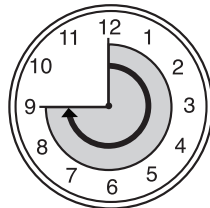
Éviter tout contact avec l'adhésif, la cartouche, la buse de l'applicateur et les composants métalliques chauds. **Peut causer des brûlures.**

**IMPORTANT:** Porter des gants thermorésistants et des lunettes de protection pendant l'utilisation.

1. Retirer le capuchon d'extrémité et insérer la cartouche d'adhésif sans percer la buse jetable et sans la fixer à l'applicateur (voir l'illustration).



2. Serrer le capuchon d'extrémité de l'applicateur pour assurer l'étanchéité. Réchauffer la cartouche pendant au moins 45 minutes.



3. Retirer la cartouche d'adhésif et la déposer debout sur un banc ou sur une surface de travail plane, buse filetée sur le dessus. Laisser reposer la cartouche environ 60 secondes.



4. Placer un chiffon ou un essuie-tout autour ou près de la buse de la cartouche.
5. Insérer un poinçon ou un objet similaire dans la buse filetée de la cartouche comme le montre l'illustration.



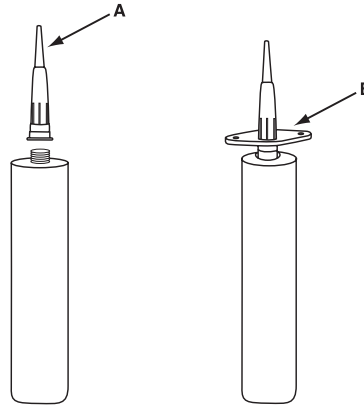
**Remarque :** S'il y a un petit « afflux » d'adhésif, il tombera sur le chiffon ou l'essuie-tout, ce qui permettra de nettoyer l'applicateur avant de fixer la buse jetable.



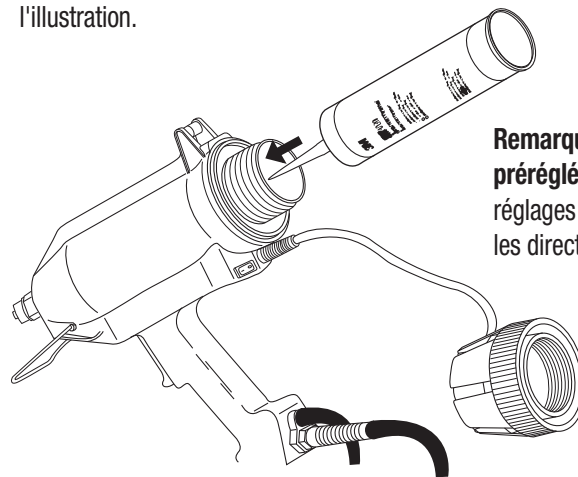
## ⚠ AVERTISSEMENT

Chauffer ou utiliser les cartouches d'adhésif de polyuréthane réactif 250 PUR Easy Scotch-Weld<sup>MC</sup> 3M<sup>MC</sup> ou d'adhésif de polyuréthane réactif Scotch-Weld<sup>MC</sup> 3M<sup>MC</sup> uniquement avec le préchauffeur ou l'applicateur d'adhésif de polyuréthane réactif 250 PUR Easy Scotch-Weld<sup>MC</sup> 3M<sup>MC</sup>. Ne pas préchauffer les cartouches d'adhésif de polyuréthane réactif 250 PUR Easy Scotch-Weld<sup>MC</sup> 3M<sup>MC</sup> ou d'adhésif de polyuréthane réactif Scotch-Weld<sup>MC</sup> 3M<sup>MC</sup> dans des fours ou autres appareils de chauffage ni les utiliser dans d'autres applicateurs. **Peut entraîner des situations susceptibles d'être dangereuses.**

6. Taper sur le poinçon avec un marteau, un maillet ou un objet semblable afin de perforer le sceau d'aluminium de la cartouche.
7. Fixer à la cartouche une buse jetable (A) fournie avec l'adhésif de polyuréthane réactif PUR 250 ou l'adhésif réactif au polyuréthane Easy Scotch-Weld<sup>MC</sup> 3M<sup>MC</sup> en la vissant à fond avec la clé en plastique fournie (B) jusqu'à ce qu'elle touche la cartouche.



8. Insérer la cartouche avec sa buse dans l'applicateur comme le montre l'illustration.

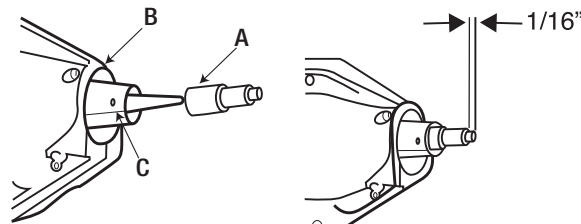


**Remarque : Le manchon est pré réglé en usine.** Si des réglages s'imposent, suivre les directives de l'étape 9.

## ⚠ AVERTISSEMENT

Utiliser uniquement des cartouches d'adhésif de polyuréthane réactif 250 PUR Easy Scotch-Weld<sup>MC</sup> 3M<sup>MC</sup> ou d'adhésif de polyuréthane réactif Scotch-Weld<sup>MC</sup> 3M<sup>MC</sup>. L'utilisation d'autres matériaux **peut entraîner des situations susceptibles d'être dangereuses.**

9. Réglage du manchon : Avec la cartouche d'adhésif de polyuréthane réactif 250 PUR Easy Scotch-Weld<sup>MC</sup> 3M<sup>MC</sup> ou d'adhésif de polyuréthane réactif Scotch-Weld<sup>MC</sup> 3M<sup>MC</sup> et la buse jetable chargées dans l'applicateur, insérer le manchon (A) dans le boîtier de la buse (B) en laissant dépasser la buse d'environ 1/16 po comme le montre l'illustration et serrer la vis de réglage (C) pour fixer en place.



**Important :** Le fait de laisser dépasser la buse d'au plus 1/16 à 1/8 po du manchon d'embout entretient la fusion de l'adhésif entre les activations.

# Insertion d'une cartouche neuve et utilisation (suite)

## ⚠ AVERTISSEMENT

Ne pas exposer l'adhésif de polyuréthane réactif 250 PUR Easy Scotch-Weld<sup>MC</sup> 3M<sup>MC</sup> ou l'adhésif de polyuréthane réactif Scotch-Weld<sup>MC</sup> 3M<sup>MC</sup> à des températures supérieures à 135 °C (275 °F). **Le matériel chauffé dégage des vapeurs pouvant irriter les yeux et les voies respiratoires et entraîner des symptômes semblables à ceux de l'asthme chez les personnes déjà sensibilisées aux isocyanates.**

## ⚠ Attention

Ne pas raccorder l'applicateur à une source d'air comprimé présentant une **pression supérieure à 80 lb/po<sup>2</sup>**, car cela risque d'entraîner des situations susceptibles d'être dangereuses ou d'endommager l'applicateur.

**IMPORTANT:** Pour la mise au rebut de l'adhésif ou des composants d'adhésif, lire et suivre les renseignements contenus dans la FSSS portant sur l'adhésif de polyuréthane réactif 250 PUR Easy Scotch-Weld<sup>MC</sup> 3M<sup>MC</sup>.

## ⚠ AVERTISSEMENT

Ne pas enlever l'adhésif de polyuréthane réactif 250 PUR Easy Scotch-Weld<sup>MC</sup> 3M<sup>MC</sup> ou l'adhésif de polyuréthane réactif Scotch-Weld<sup>MC</sup> 3M<sup>MC</sup> avec de la chaleur, une flamme ou un solvant. **Peut dégager des vapeurs dangereuses ou provoquer un incendie.** Pour obtenir de plus amples renseignements sur la santé et la sécurité, consulter l'étiquette et la fiche signalétique santé-sécurité de l'adhésif Scotch-Weld utilisé.

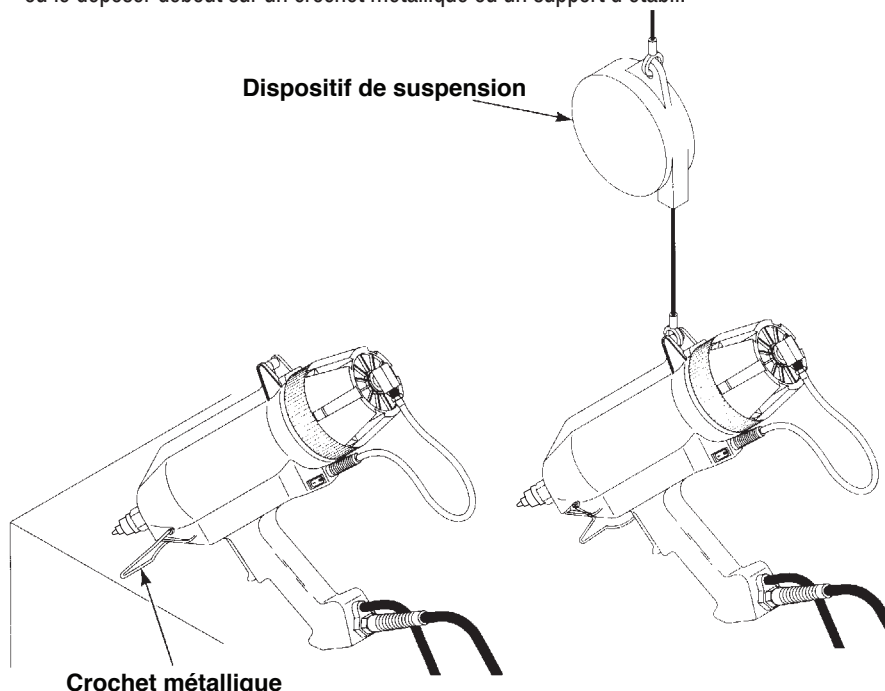
**IMPORTANT:** Pour obtenir de plus amples renseignements sur la santé et la sécurité, consulter l'étiquette et la fiche signalétique santé-sécurité de l'adhésif Scotch-Weld utilisé.

## Application

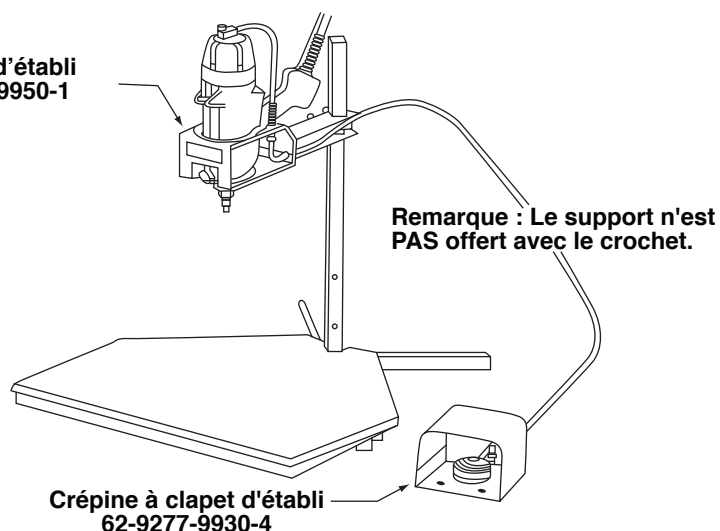
1. Appuyer sur la gâchette de l'applicateur pour appliquer l'adhésif. Pour obtenir de meilleurs résultats, régler la pression d'air à 80 lb/po<sup>2</sup> pour commencer la distribution.
2. Ensuite, régler la pression entre 30 et 80 lb/po<sup>2</sup> pour obtenir le débit désiré.

## Remarque

Pour obtenir de meilleurs résultats, suspendre l'applicateur à un dispositif de suspension ou le déposer debout sur un crochet métallique ou un support d'établi.



Support d'établi  
62-9895-9950-1



# Recharge de l'applicateur (suite)

## Insertion d'une cartouche froide

### ⚠ Attention

Éviter tout contact avec l'adhésif, la cartouche, la buse de l'applicateur et les composants métalliques chauds.  
**Peut causer des brûlures.**

**IMPORTANT:** Porter des gants thermorésistants et des lunettes de protection pendant l'utilisation.

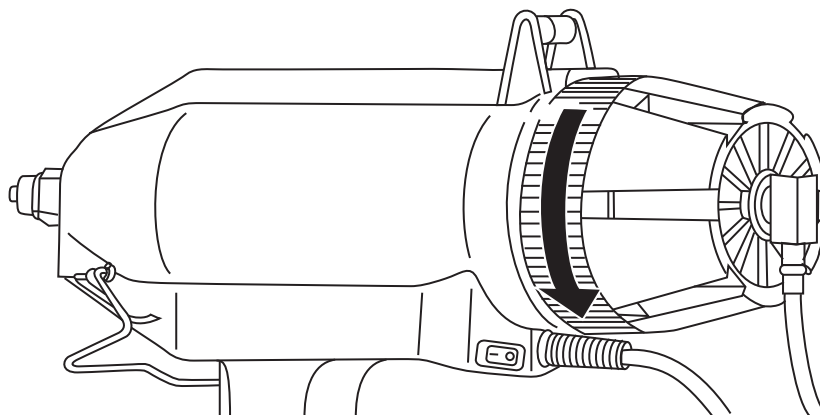
### ⚠ AVERTISSEMENT

Utiliser uniquement des cartouches d'adhésif de polyuréthane réactif 250 PUR Easy Scotch-Weld<sup>MC</sup> 3M<sup>MC</sup> ou d'adhésif de polyuréthane réactif Scotch-Weld<sup>MC</sup> 3M<sup>MC</sup>. L'utilisation d'autres matériaux **peut entraîner des situations susceptibles d'être dangereuses.**

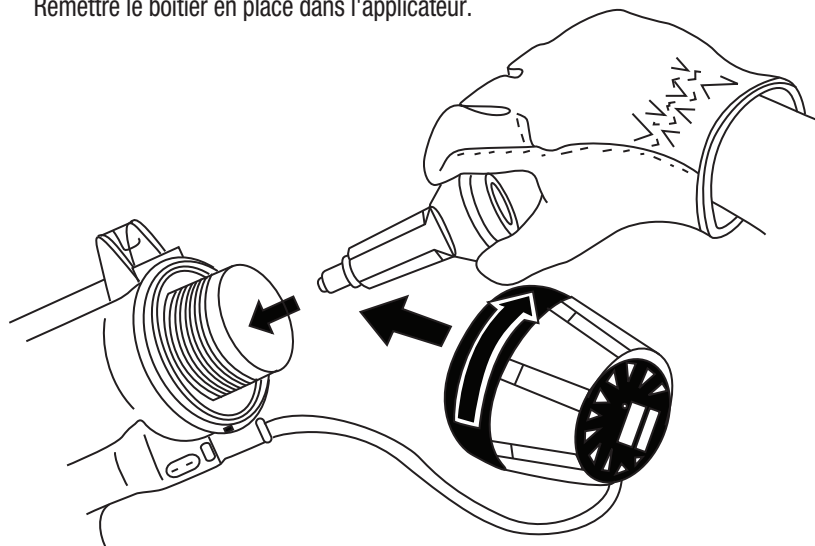
### Important

Si l'adhésif a été chauffé pendant plus de 16 heures à la température d'application (temps total dans le préchauffeur et l'applicateur), il coulera difficilement de l'applicateur. Jeter de manière appropriée toute cartouche ayant été chauffée pendant plus de 16 heures et la remplacer par une cartouche neuve chaude.

1. Si l'applicateur est froid, le mettre sous tension et le laisser chauffer pendant cinq (5) minutes.
2. Dévisser et retirer le capuchon d'extrémité de l'applicateur.



3. Retirer la cartouche vide de l'applicateur et la mettre au rebut avec la buse jetable. Inspecter le boîtier de la buse et enlever l'accumulation d'adhésif, le cas échéant. Remettre le boîtier en place dans l'applicateur.



# Recharge de l'applicateur (suite)

## ⚠ AVERTISSEMENT

Utiliser uniquement des cartouches d'adhésif de polyuréthane réactif 250 PUR Easy Scotch-Weld<sup>MC</sup> 3M<sup>MC</sup> ou d'adhésif de polyuréthane réactif Scotch-Weld<sup>MC</sup> 3M<sup>MC</sup>. L'utilisation d'autres matériaux **peut entraîner des situations susceptibles d'être dangereuses.**

## ⚠ AVERTISSEMENT

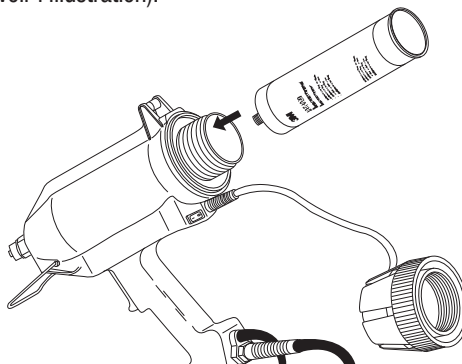
Chauffer ou utiliser les cartouches d'adhésif de polyuréthane réactif 250 PUR Easy Scotch-Weld<sup>MC</sup> 3M<sup>MC</sup> ou d'adhésif de polyuréthane réactif Scotch-Weld<sup>MC</sup> 3M<sup>MC</sup> uniquement avec le préchauffeur ou l'applicateur d'adhésif de polyuréthane réactif 250 PUR Easy Scotch-Weld<sup>MC</sup> 3M<sup>MC</sup>. Ne pas préchauffer les cartouches d'adhésif de polyuréthane réactif 250 PUR Easy Scotch-Weld<sup>MC</sup> 3M<sup>MC</sup> ou d'adhésif de polyuréthane réactif Scotch-Weld<sup>MC</sup> 3M<sup>MC</sup> dans des fours ou autres appareils de chauffage ni les utiliser dans d'autres applicateurs. **Peut entraîner des situations susceptibles d'être dangereuses.**

## ⚠ Attention

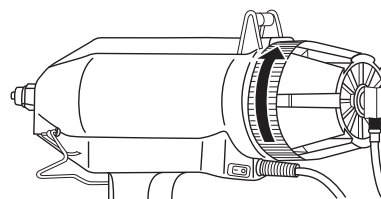
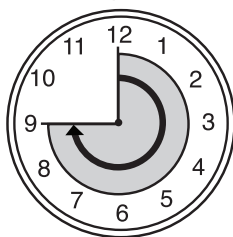
Éviter tout contact avec l'adhésif, la cartouche, la buse de l'applicateur et les composants métalliques chauds. **Peut causer des brûlures.**

**IMPORTANT:** Porter des gants thermorésistants et des lunettes de protection pendant l'utilisation.

- Insérer la cartouche d'adhésif sans percer la buse jetable et sans la fixer à l'applicateur (voir l'illustration).



- Serrer le capuchon d'extrémité de l'applicateur pour assurer l'étanchéité. Réchauffer la cartouche pendant au moins 45 minutes.



- Retirer la cartouche d'adhésif et la déposer debout sur un banc ou sur une surface de travail plane, buse filetée sur le dessus. Laisser reposer la cartouche environ 60 secondes.



- Placer un chiffon ou un essuie-tout autour ou près de la buse de la cartouche.
- Insérer un poinçon ou un objet similaire dans la buse filetée de la cartouche comme le montre l'illustration.



**Remarque :** S'il y a un petit « afflux » d'adhésif, il tombera sur le chiffon ou l'essuie-tout, ce qui permettra de nettoyer l'applicateur avant de fixer la buse jetable.

## Insertion d'une cartouche froide

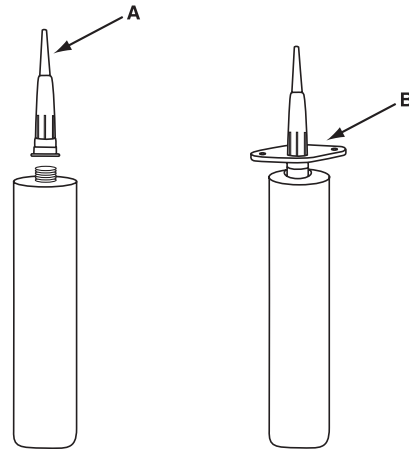
### ⚠ AVERTISSEMENT

Chauffer ou utiliser les cartouches d'adhésif de polyuréthane réactif 250 PUR Easy Scotch-Weld<sup>MC</sup> 3M<sup>MC</sup> ou d'adhésif de polyuréthane réactif Scotch-Weld<sup>MC</sup> 3M<sup>MC</sup> uniquement avec le préchauffeur ou l'applicateur d'adhésif de polyuréthane réactif 250 PUR Easy Scotch-Weld<sup>MC</sup> 3M<sup>MC</sup>. Ne pas préchauffer les cartouches d'adhésif de polyuréthane réactif 250 PUR Easy Scotch-Weld<sup>MC</sup> 3M<sup>MC</sup> ou d'adhésif de polyuréthane réactif Scotch-Weld<sup>MC</sup> 3M<sup>MC</sup> dans des fours ou autres appareils de chauffage ni les utiliser dans d'autres applicateurs. **Peut entraîner des situations susceptibles d'être dangereuses.**

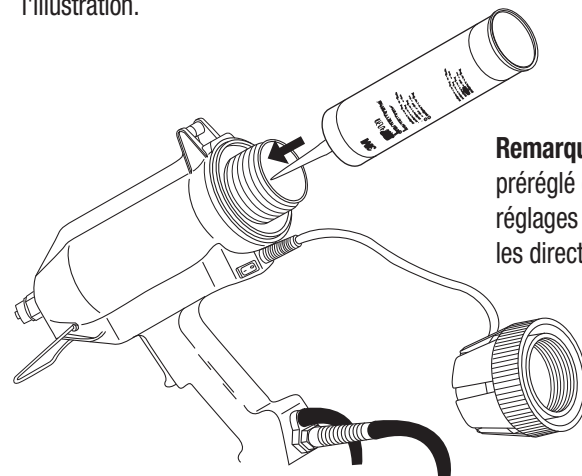
### ⚠ AVERTISSEMENT

Utiliser uniquement des cartouches d'adhésif de polyuréthane réactif 250 PUR Easy Scotch-Weld<sup>MC</sup> 3M<sup>MC</sup> ou d'adhésif de polyuréthane réactif Scotch-Weld<sup>MC</sup> 3M<sup>MC</sup>. L'utilisation d'autres matériaux **peut entraîner des situations susceptibles d'être dangereuses.**

9. Taper sur le poinçon avec un marteau, un maillet ou un objet semblable afin de perforer le sceau d'aluminium de la cartouche.
10. Fixer à la cartouche une buse jetable (A) fournie avec l'adhésif de polyuréthane réactif PUR 250 ou l'adhésif réactif au polyuréthane Easy Scotch-Weld<sup>MC</sup> 3M<sup>MC</sup> en la vissant à fond avec la clé en plastique fournie (B) jusqu'à ce qu'elle touche la cartouche.

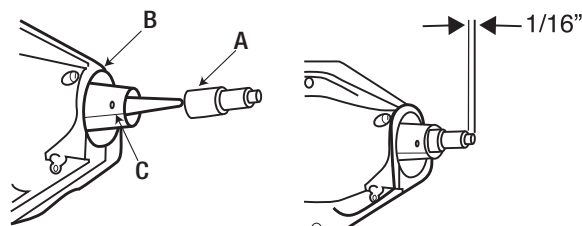


11. Insérer la cartouche avec sa buse dans l'applicateur comme le montre l'illustration.



**Remarque :** Le manchon est pré-réglé en usine. Si des réglages s'imposent, suivre les directives de l'étape 12.

12. Réglage du manchon : Avec la cartouche d'adhésif de polyuréthane réactif 250 PUR Easy Scotch-Weld<sup>MC</sup> 3M<sup>MC</sup> ou d'adhésif de polyuréthane réactif Scotch-Weld<sup>MC</sup> 3M<sup>MC</sup> et la buse jetable chargées dans l'applicateur, insérer le manchon (A) dans le boîtier de la buse (B) en laissant dépasser la buse d'environ 1/16 po comme le montre l'illustration et serrer la vis de réglage (C) pour fixer en place.



**Important:** Le fait de laisser dépasser la buse d'au plus 1/16 à 1/8 po du manchon d'embout, entretient la fusion de l'adhésif entre les activations.

# Recharge de l'applicateur (suite)

## ⚠ AVERTISSEMENT

Ne pas exposer l'adhésif de polyuréthane réactif 250 PUR Easy Scotch-Weld<sup>MC</sup> 3M<sup>MC</sup> ou l'adhésif de polyuréthane réactif Scotch-Weld<sup>MC</sup> 3M<sup>MC</sup> à des températures supérieures à 135 °C (275 °F). **Le matériel chauffé dégage des vapeurs pouvant irriter les yeux et les voies respiratoires et entraîner des symptômes semblables à ceux de l'asthme chez les personnes déjà sensibilisées aux isocyanates.**

## ⚠ AVERTISSEMENT

Chauffer ou utiliser les cartouches d'adhésif de polyuréthane réactif 250 PUR Easy Scotch-Weld<sup>MC</sup> 3M<sup>MC</sup> ou d'adhésif de polyuréthane réactif Scotch-Weld<sup>MC</sup> 3M<sup>MC</sup> uniquement avec le préchauffeur ou l'applicateur d'adhésif de polyuréthane réactif 250 PUR Easy Scotch-Weld<sup>MC</sup> 3M<sup>MC</sup>. Ne pas préchauffer les cartouches d'adhésif de polyuréthane réactif 250 PUR Easy Scotch-Weld<sup>MC</sup> 3M<sup>MC</sup> ou d'adhésif de polyuréthane réactif Scotch-Weld<sup>MC</sup> 3M<sup>MC</sup> dans des fours ou autres appareils de chauffage ni les utiliser dans d'autres applicateurs. **Peut entraîner des situations susceptibles d'être dangereuses.**

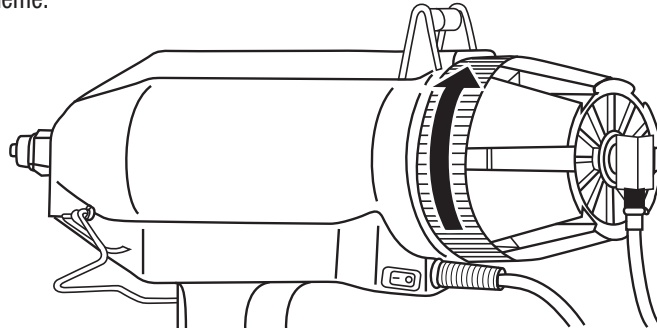
**IMPORTANT:** Pour obtenir de plus amples renseignements sur la santé et la sécurité, consulter l'étiquette et la fiche signalétique santé-sécurité de l'adhésif Scotch-Weld utilisé.

## ⚠ Attention

Ne pas raccorder l'applicateur à une source d'air comprimé présentant une pression supérieure à 80 lb/po<sup>2</sup>, **car cela risque d'entraîner des situations susceptibles d'être dangereuses ou d'endommager l'applicateur.**

**IMPORTANT:** Porter des gants thermorésistants et des lunettes de protection pendant l'utilisation.

13. Visser à fond le capuchon d'extrémité de l'applicateur pour assurer l'étanchéité et suivre la procédure indiquée à la section « Distribution » pour une utilisation sans problème.



## Application

1. Appuyer sur la gâchette de l'applicateur pour appliquer l'adhésif. Pour obtenir de meilleurs résultats, régler la pression d'air à 80 lb/po<sup>2</sup> pour commencer la distribution.
2. Ensuite, régler la pression entre 30 et 80 lb/po<sup>2</sup> pour obtenir le débit désiré.

**Important :** Le fait de laisser dépasser la buse d'au plus 1/16 à 1/8 po du manchon d'embout entretient la fusion de l'adhésif entre les activations.

## Attention

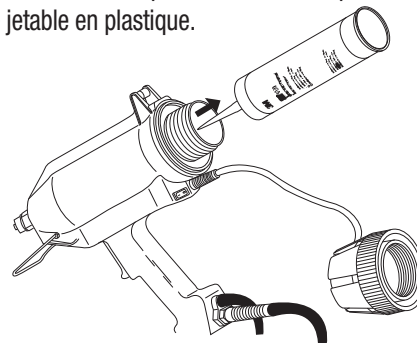
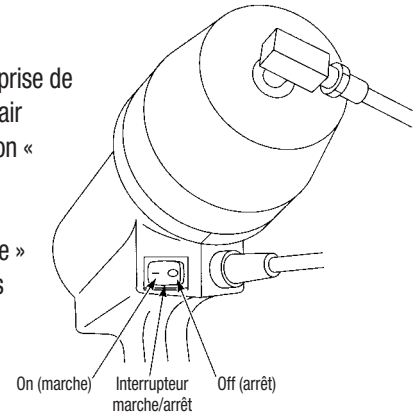
Éviter tout contact avec l'adhésif, la cartouche, la buse de l'applicateur et les composants métalliques chauds.  
**Peut causer des brûlures.**

**IMPORTANT:** Porter des gants thermorésistants et des lunettes de protection pendant l'utilisation.

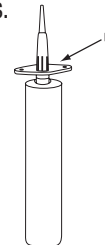
## Utilisation d'une cartouche entamée:

Si on a arrêté l'applicateur avec une cartouche entamée, suivre les étapes ci-dessous pour relancer le débit d'adhésif.

1. S'assurer que l'applicateur est relié à la prise de courant et à la source d'alimentation en air conformément aux directives de la section « Préparation et installation ».
2. Mettre l'interrupteur en position « Marche » (la partie rouge de l'interrupteur est alors visible).
3. Laisser l'applicateur chauffer pendant environ 10 minutes.
4. Dévisser et retirer le capuchon d'extrémité puis retirer la cartouche avec la buse jetable en plastique.

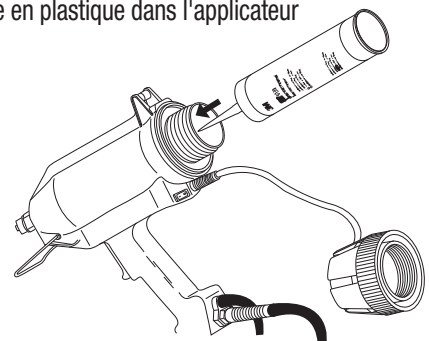


5. Retirer la cartouche d'adhésif et la déposer debout sur un banc ou sur une surface de travail plane, buse filetée sur le dessus. Laisser reposer la cartouche environ 60 secondes.
6. Placer un chiffon ou un essuie-tout autour ou près de la buse de la cartouche.



**Remarque :** S'il y a un petit « afflux » d'adhésif, il tombera sur le chiffon ou l'essuie-tout, ce qui permettra de nettoyer l'applicateur avant de fixer la buse jetable.

7. En tenant la cartouche avec des gants thermorésistants, dévisser et jeter la buse jetable en plastique contenant l'adhésif durci.
8. Fixer une buse jetable neuve en la vissant à fond avec la clé en plastique fournie jusqu'à ce que sa base touche à la cartouche.
9. Insérer la cartouche avec sa buse en plastique dans l'applicateur comme le montre l'illustration.



# Recharge de l'applicateur (suite)

## Insertion d'une cartouche préchauffée

### ⚠ Attention

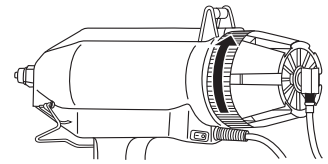
Éviter tout contact avec l'adhésif, la cartouche, la buse de l'applicateur et les composants métalliques chauds.  
**Peut causer des brûlures.**

**IMPORTANT:** Porter des gants thermorésistants et des lunettes de protection pendant l'utilisation.

### ⚠ AVERTISSEMENT

Chauffer ou utiliser les cartouches d'adhésif de polyuréthane réactif 250 PUR Easy Scotch-Weld<sup>MC</sup> 3M<sup>MC</sup> ou d'adhésif de polyuréthane réactif Scotch-Weld<sup>MC</sup> 3M<sup>MC</sup> uniquement avec le préchauffeur ou l'applicateur d'adhésif de polyuréthane réactif 250 PUR Easy Scotch-Weld<sup>MC</sup> 3M<sup>MC</sup>. Ne pas préchauffer les cartouches d'adhésif de polyuréthane réactif 250 PUR Easy Scotch-Weld<sup>MC</sup> 3M<sup>MC</sup> ou d'adhésif de polyuréthane réactif Scotch-Weld<sup>MC</sup> 3M<sup>MC</sup> dans des fours ou autres appareils de chauffage ni les utiliser dans d'autres applicateurs. **Peut entraîner des situations susceptibles d'être dangereuses.**

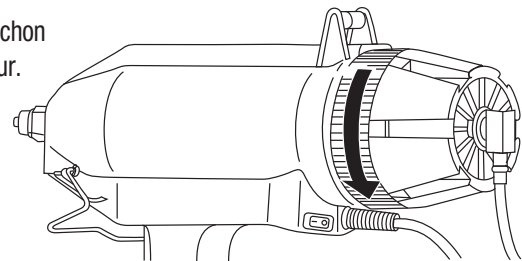
10. Visser à fond le capuchon d'extrémité de l'applicateur pour assurer l'étanchéité et suivre la procédure indiquée à la section « Distribution » pour une utilisation sans problème.



### Important

**Si l'adhésif a été chauffé pendant plus de 16 heures à la température d'application (temps total dans le préchauffeur et l'applicateur), il coulera difficilement de l'applicateur. Jeter de manière appropriée toute cartouche ayant été chauffée pendant plus de 16 heures et la remplacer par une cartouche neuve chaude.**

1. Si l'applicateur est froid, le mettre sous tension et le laisser chauffer pendant cinq (5) minutes.
2. Dévisser et retirer le capuchon d'extrémité de l'applicateur.



3. Retirer la cartouche vide de l'applicateur et la mettre au rebut avec la buse jetable.
4. Prendre une cartouche d'adhésif de polyuréthane réactif 250 PUR Easy Scotch-Weld<sup>MC</sup> 3M<sup>MC</sup> dans le préchauffeur d'adhésif de polyuréthane réactif 250 PUR Easy Scotch-Weld<sup>MC</sup> 3M<sup>MC</sup> et la déposer sur une surface de travail, buse filetée vers le haut. Laisser reposer la cartouche environ 60 secondes. (Suivre les directives du manuel d'utilisation du préchauffeur d'adhésif de polyuréthane réactif 250 PUR Easy Scotch-Weld<sup>MC</sup> 3M<sup>MC</sup>.)
5. Placer un chiffon ou un essuie-tout autour ou près de la buse de la cartouche.
6. Insérer un poinçon ou un objet similaire dans la buse filetée de la cartouche comme le montre l'illustration.



**Remarque :** S'il y a un petit « afflux » d'adhésif, il tombera sur le chiffon ou l'essuie-tout, ce qui permettra de nettoyer l'applicateur avant de fixer la buse jetable.

7. Taper sur le poinçon avec un marteau, un maillet ou un objet semblable afin de perforer le sceau d'aluminium de la cartouche.



## Insertion d'une cartouche préchauffée

### ⚠ Attention

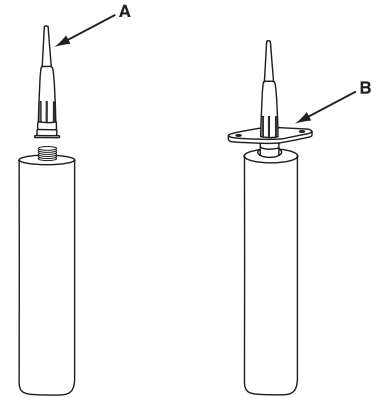
Éviter tout contact avec l'adhésif, la cartouche, la buse de l'applicateur et les composants métalliques chauds.  
**Peut causer des brûlures.**

**IMPORTANT:** Porter des gants thermorésistants et des lunettes de protection pendant l'utilisation.

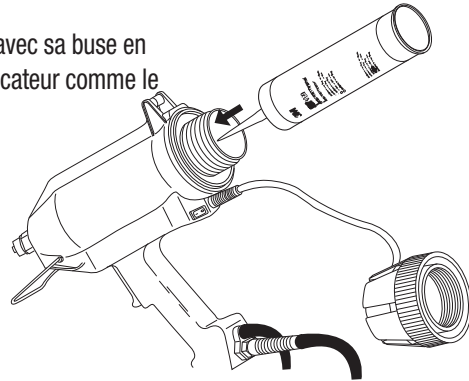
### ⚠ AVERTISSEMENT

Utiliser uniquement des cartouches d'adhésif de polyuréthane réactif 250 PUR Easy Scotch-Weld<sup>MC</sup> 3M<sup>MC</sup> ou d'adhésif de polyuréthane réactif Scotch-Weld<sup>MC</sup> 3M<sup>MC</sup>. L'utilisation d'autres matériaux **peut entraîner des situations susceptibles d'être dangereuses.**

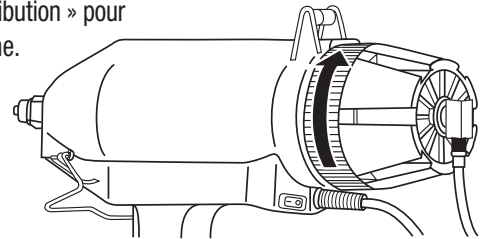
- Fixer une buse jetable neuve en la vissant à fond avec la clé en plastique fournie jusqu'à ce que sa base touche à la cartouche.



- Insérer la cartouche avec sa buse en plastique dans l'applicateur comme le montre l'illustration.



- Visser à fond le capuchon d'extrémité de l'applicateur pour assurer l'étanchéité. Réchauffer la cartouche pendant au moins 45 minutes. Suivre la procédure indiquée à la section « Distribution » pour une utilisation sans problème.



## Arrêt de l'applicateur

### ⚠ Attention

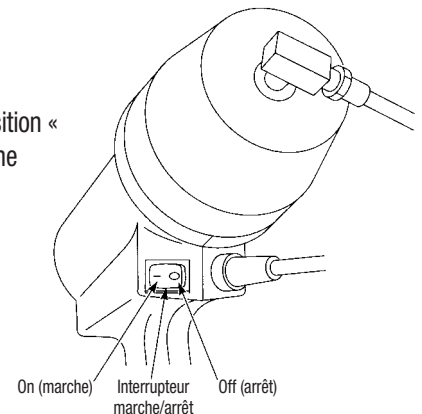
Éviter tout contact avec l'adhésif, la cartouche, la buse de l'applicateur et les composants métalliques chauds.  
**Peut causer des brûlures.**

**IMPORTANT:** Porter des gants thermorésistants et des lunettes de protection pendant l'utilisation.

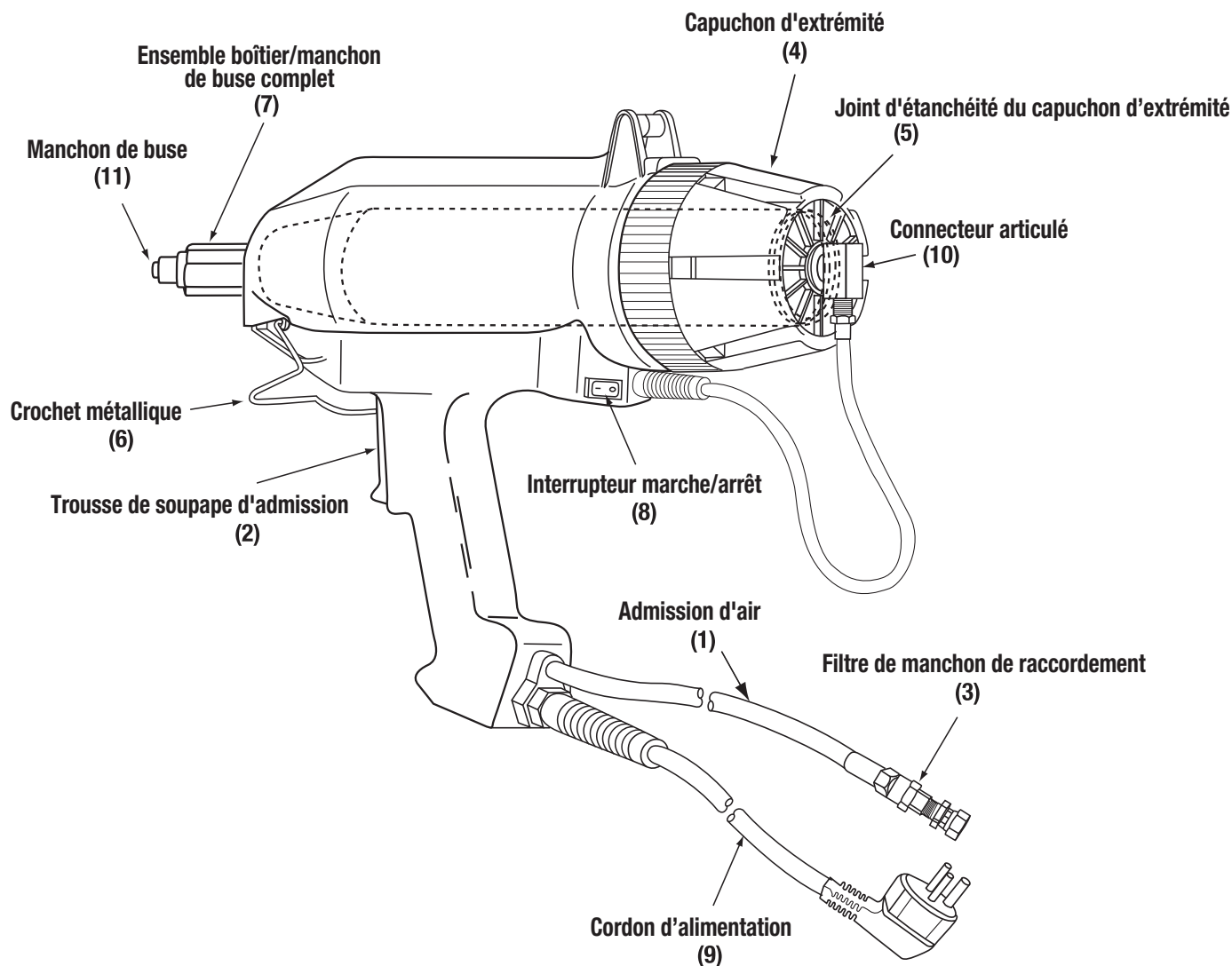
### Important

**Ne pas retirer la cartouche de l'applicateur! La cartouche doit demeurer scellée pendant l'arrêt de l'applicateur, à défaut de quoi l'humidité durcira l'adhésif dans la cartouche et la rendra inutilisable.**

- Mettre l'interrupteur marche/arrêt en position « Arrêt ». La partie rouge de l'interrupteur ne sera plus visible.



# Schéma de l'applicateur et liste des pièces de rechange



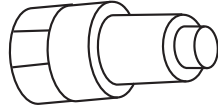
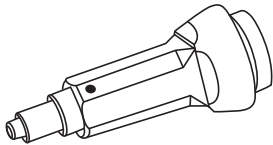
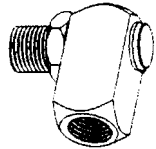
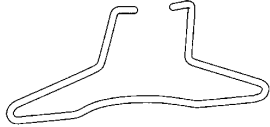

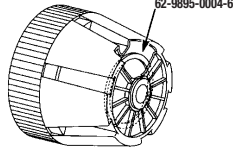
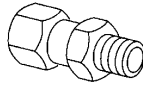
## ⚠ AVERTISSEMENT

N'utiliser que les pièces de rechange 3M, à défaut de quoi il y a risque de créer des **situations susceptibles d'être dangereuses ou d'endommager l'applicateur.**

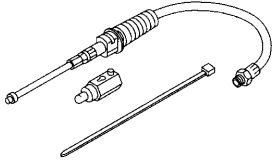
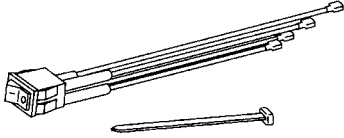
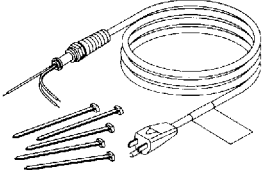
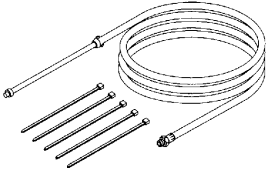
Une méthode de remplacement est fournie avec toutes les pièces de rechange de l'applicateur d'adhésif de polyuréthane réactif 250 PUR Easy Scotch-Weld<sup>MC</sup> 3M<sup>MC</sup>.

(1) Admission d'air .....	62-9895-0005-3
(2) Trousse de soupape d'admission .....	62-9845-0009-0
(3) Filtere de manchon de raccordement .....	62-9895-0001-2
(4) Capuchon d'extrémité .....	62-9895-0003-8
(5) Joint d'étanchéité du capuchon d'extrémité .....	62-9895-0004-6
(6) Crochet métallique .....	62-9895-0033-5
(7) Ensemble boîtier/manchon de buse complet .....	62-9845-9950-4
(8) Interrupteur marche/arrêt .....	62-9895-0024-4
(9) Cordon d'alimentation .....	62-9895-0021-0
(10) Connecteur articulé.....	62-9845-9934-0
(11) Manchon de buse .....	62-9845-0029-8

# PIÈCES DE RECHANGE et ACCESSOIRES de l'applicateur d'adhésif de polyuréthane réactif 250 PUR Easy Scotch-Weld<sup>MC</sup>

Description	Numéro de produit	Contenu
Manchon 3/sac	62-9845-0029-8	
Ensemble boîtier de buse et manchon d'embout	62-9865-9950-4	
Connecteur articulé	62-9845-9934-0	
Crochet métallique	62-9895-0033-5	
Joint d'étanchéité du capuchon d'extrémité	62-9895-0004-6	
Capuchon d'extrémité	62-9895-0003-8	
Filtre de manchon de raccordement	62-9895-0001-2	

# PIÈCES DE RECHANGE et ACCESSOIRES de l'applicateur d'adhésif de polyuréthane réactif 250 PUR Easy Scotch-Weld<sup>MC</sup>

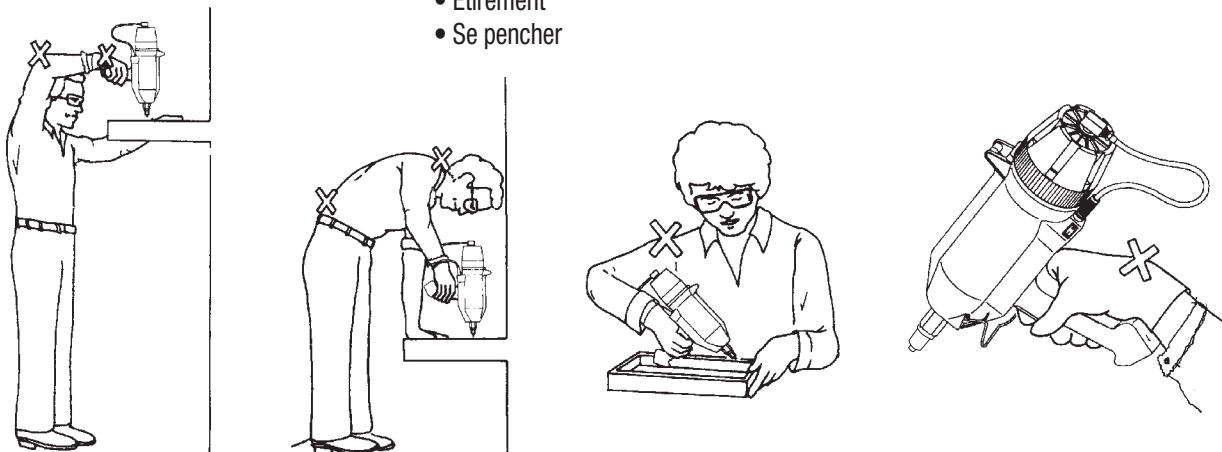
Description	Numéro de produit	Contenu
Trousse de soupape d'admission	62-9845-0009-0	
Trousse d'interrupteur marche/arrêt	62-9895-0024-4	
Trousse de cordon d'alimentation	62-9895-0021-0	
Trousse de tuyau d'arrivée d'air	62-9895-0005-3	

# Confort et productivité de l'utilisateur

Éviter les positions qui fatiguent les nerfs, les muscles, les tendons et le cartilage des épaules, des coudes, des poignets, des mains et du dos.

À éviter

- Coude levé
- Poignet plié
- Étirement
- Se pencher



Régler le poste de travail de manière à :

- être droit (debout ou assis);
- garder les coudes près du corps;
- tenir l'applicateur sans plier le poignet.



# Dépannage

## AVERTISSEMENT

N'utiliser que les pièces de rechange 3M, à défaut de quoi il y a risque de créer des **situations susceptibles d'être dangereuses ou d'endommager l'applicateur.**

Cette partie du manuel d'utilisation se divise en cinq sections pour cerner les problèmes susceptibles de survenir avec l'applicateur d'adhésif de polyuréthane réactif 250 PUR Easy Scotch-Weld<sup>MC</sup> 3M<sup>MC</sup>.

Si l'applicateur chauffe, consulter le :

<b>Problème 1 :</b> <b>Débit d'adhésif faible ou nul; fuite d'air audible</b>	<b>Page 21</b>
<b>Problème 2 :</b> <b>Débit d'adhésif faible ou nul; fuite d'air inaudible</b>	<b>Page 26</b>
<b>Problème 3 :</b> <b>Écoulement au niveau de la buse</b>	<b>Page 30</b>
<b>Problème 4 :</b> <b>Débit d'adhésif continu</b>	<b>Page 30</b>
<b>Problème 5 :</b> <b>Arrêt ralenti du débit de l'adhésif</b>	<b>Page 30</b>

Si l'applicateur ne chauffe pas, consulter le :

<b>Problème 6 :</b> <b>L'applicateur ne chauffe pas</b>	<b>Page 30</b>
--	----------------

La page 17 contient un schéma de l'applicateur et la liste des pièces de rechange. Si l'applicateur doit être réparé, on peut commander les pièces de rechange auprès du distributeur d'adhésifs de polyuréthane réactifs 250 PUR Easy Scotch-Weld<sup>MC</sup> 3M<sup>MC</sup> ou d'adhésifs de polyuréthane réactifs Scotch-Weld<sup>MC</sup> 3M<sup>MC</sup> de sa région. Si le problème persiste après avoir suivi ces procédures, communiquer avec un représentant des ventes de 3M de sa région. Pour obtenir le numéro de téléphone de la succursale 3M la plus proche, consulter le plat verso du manuel.

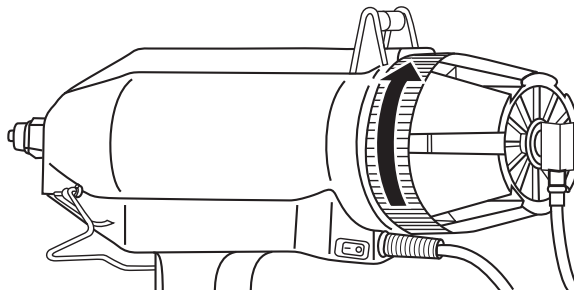
### Important

**L'entretien de l'applicateur doit être effectué uniquement par un électricien ou un responsable de l'entretien qualifié.**

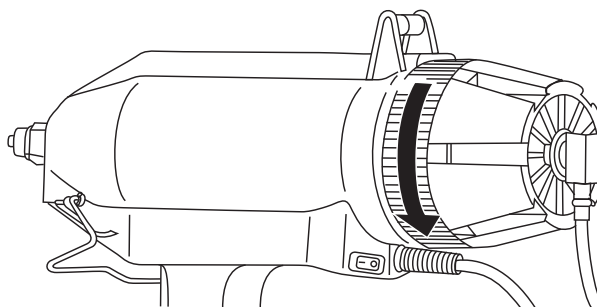
**Problème 1:  
Débit d'adhésif faible ou nul;  
fuite d'air audible**

Effectuer les étapes ci-dessous jusqu'à ce que l'adhésif coule librement.

1. Visser à fond le capuchon d'extrémité de l'applicateur pour assurer l'étanchéité. Si l'adhésif ne coule pas, passer à l'étape suivante.



2. Dévisser et retirer le capuchon d'extrémité.

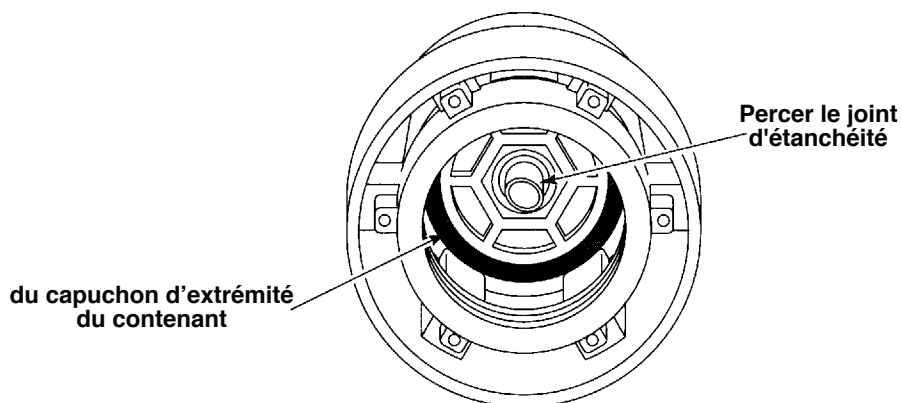


3. Vérifier si le joint d'étanchéité est mal placé ou endommagé. Remplacer le joint d'étanchéité ou le remplacer au besoin avec un joint d'étanchéité 62-9895-0004-6. Si l'adhésif ne coule pas, passer à l'étape suivante.

**⚠ Attention**

Éviter tout contact avec l'adhésif, la cartouche, la buse de l'applicateur et les composants métalliques chauds.  
**Peut causer des brûlures.**

**IMPORTANT:** Porter des gants thermorésistants et des lunettes de protection pendant l'utilisation.



# Dépannage (suite)

## Attention

Éviter tout contact avec l'adhésif, la cartouche, la buse de l'applicateur et les composants métalliques chauds.  
**Peut causer des brûlures.**

**IMPORTANT:** Porter des gants thermorésistants et des lunettes de protection pendant l'utilisation.

4. Vérifier si la cartouche d'adhésif de polyuréthane réactif 250 PUR Easy Scotch-Weld<sup>MC</sup> 3M<sup>MC</sup> ou d'adhésif de polyuréthane réactif Scotch-Weld<sup>MC</sup> 3M<sup>MC</sup> n'est pas bosselée ou endommagée et la remplacer par une cartouche non endommagée. Une cartouche bosselée ou endommagée n'offrira pas une étanchéité adéquate et favorisera des fuites d'air.
5. S'il y a une fuite d'air au niveau des raccords du capuchon d'extrémité, débrancher l'alimentation d'air et serrer les raccords.
6. Si les raccords ou le tuyau d'alimentation d'air sont endommagés ou brisés, les remplacer avec l'ensemble soupape d'admission d'air 62-9845-0009-0.
7. Si le tuyau d'alimentation d'air est coupé ou endommagé, le remplacer (62-9895-0005-3).
8. Si la fuite d'air se produit à l'intérieur de la poignée, il faut séparer les deux soupapes de la poignée conformément aux directives de la page 23.

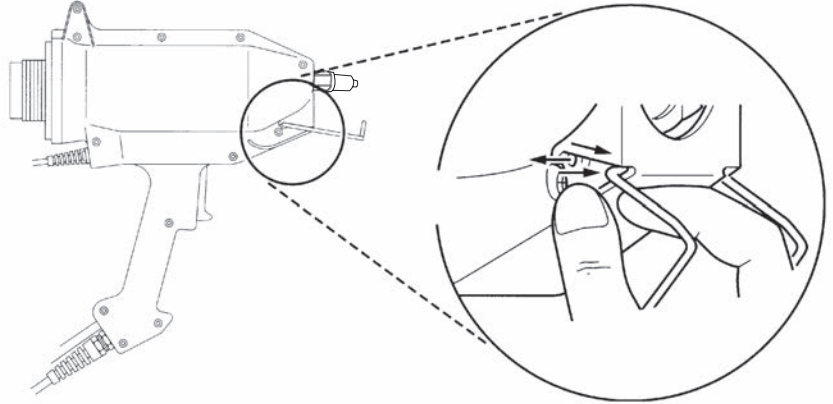


## **⚠ AVERTISSEMENT**

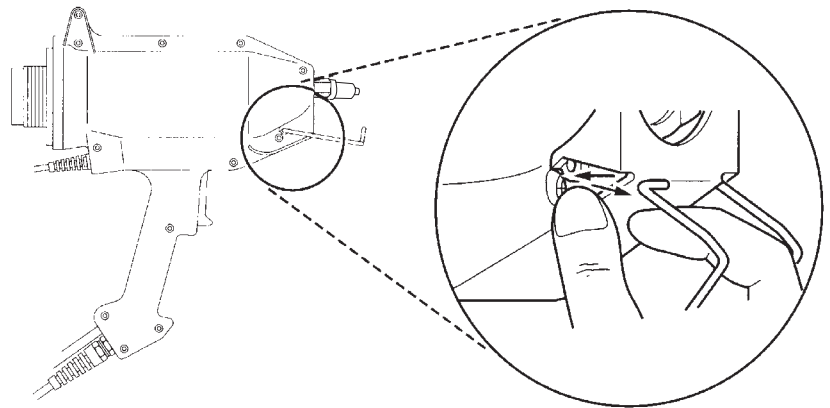
Débrancher l'applicateur de l'alimentation en air et de l'alimentation électrique et s'assurer qu'il est à température ambiante avant d'en effectuer l'entretien. Le fait de procéder à l'entretien de l'applicateur avant qu'il ne soit débranché ou qu'il n'ait refroidi **peut causer un choc électrique ou des brûlures**. Lire le manuel d'utilisation avant l'entretien.

## Réassemblage de l'applicateur

9. Débrancher le cordon d'alimentation et l'alimentation en air.
10. Retirer le support en tirant suffisamment d'un côté pour le sortir de son orifice. Laisser le support s'insérer dans la cavité juste à l'avant de l'orifice.



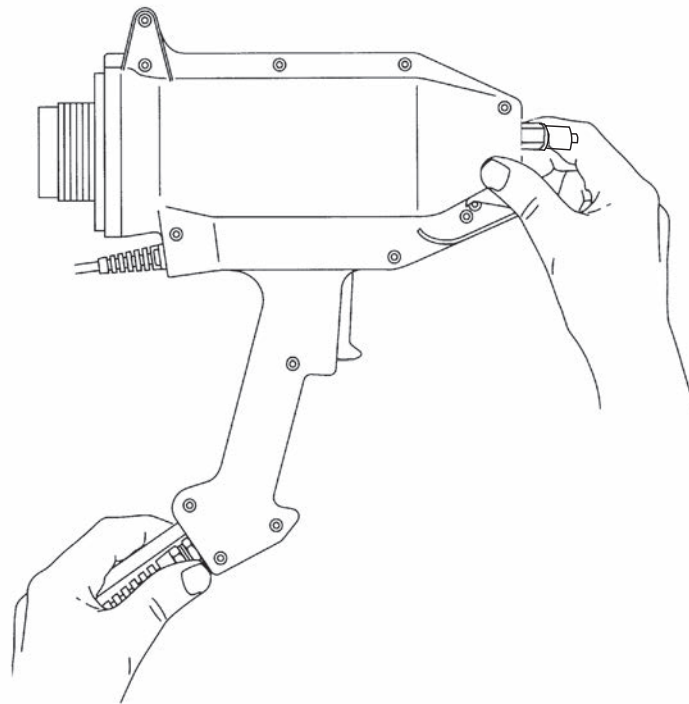
11. Répéter l'étape ci-dessus pour l'autre côté.
12. Écarter l'un des côtés du support pour le retirer de la cavité et le séparer du boîtier. Enlever le support et le mettre de côté.



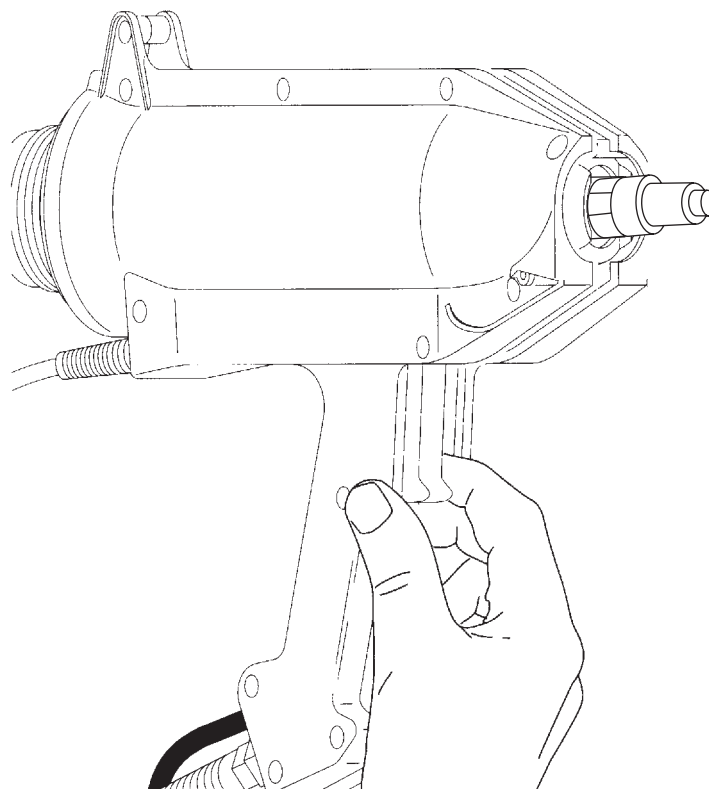
13. Dévisser et retirer le capuchon d'extrémité.
14. Dans la mesure du possible, retirer la cartouche dotée d'une buse de l'applicateur.
15. Déposer l'applicateur sur le côté, tête des vis vers le haut.
16. Dévisser les douze (12) vis à tête cruciforme.

## Dépannage (suite)

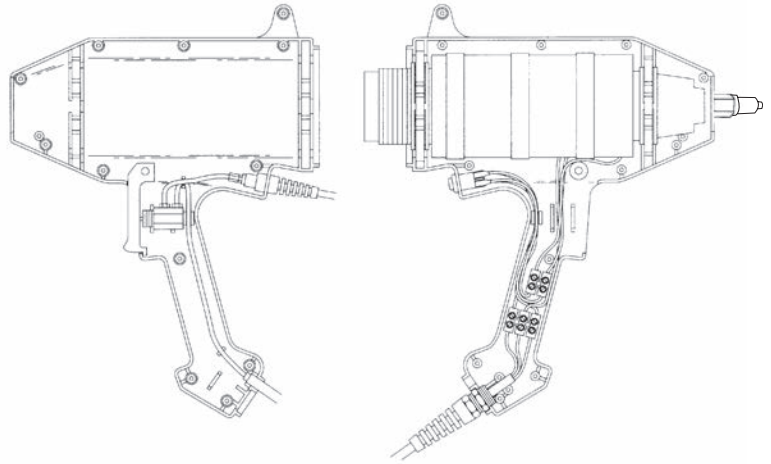
17. Tirer doucement sur les moitiés du boîtier pour les séparer.



18. Tenir la gâchette contre le boîtier supérieur et soulever.



19. Soulever et faire tourner le boîtier de 180 degrés dans le sens des aiguilles d'une montre, de manière à ouvrir les deux côtés et à voir les composants.



### **⚠ AVERTISSEMENT**

N'utiliser que les pièces de rechange 3M, à défaut de quoi il y a risque de créer des **situations susceptibles d'être dangereuses ou d'endommager l'applicateur.**

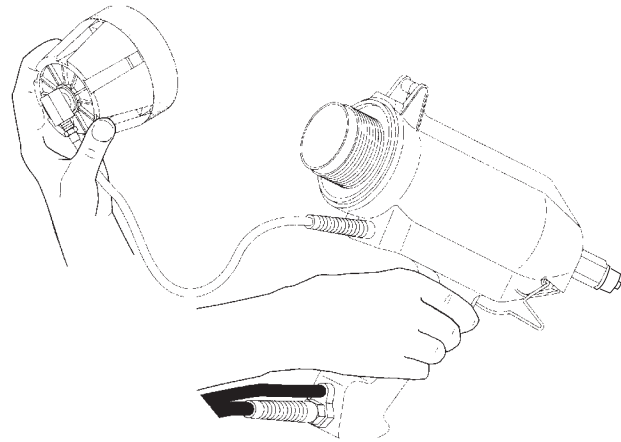
20. Rebrancher l'alimentation en air et régler à 30 à 40 lb/po<sup>2</sup> au maximum pour localiser la fuite d'air.
21. Inspecter les connexions et resserrer au besoin. Si la soupape d'admission d'air ou le tuyau relié au capuchon d'extrémité fuit ou est endommagé, remplacer par l'ensemble soupape d'admission d'air 62-9845-0009-0.
22. Si le tuyau d'alimentation d'air est percé, coupé ou débranché de la soupape d'admission d'air, le rebrancher ou le remplacer (62-9895-0005-3).
23. Après l'inspection ou après avoir resserré les attaches lâches ou remplacé des pièces, réassembler les moitiés de la poignée en suivant les directives. Consulter la page 36.

# Dépannage

## Problème 2 : Débit d'adhésif faible ou nul; fuite d'air inaudible

Effectuer les essais ci-dessous s'il n'y a pas de fuite d'air audible et que l'applicateur chauffe.

1. Vérifier si le tuyau d'arrivée d'air ne serait pas coincé.
2. Dévisser et retirer le capuchon d'extrémité. Diriger le capuchon d'extrémité loin de soi et des autres et appuyer sur la gâchette. Un jet d'air régulier provenant du tube de perçage indique que la soupape d'admission d'air et la source d'air fonctionnent correctement. Passer à l'étape suivante. S'il n'y a pas d'écoulement d'air, passer à l'étape 8 de la page 28.

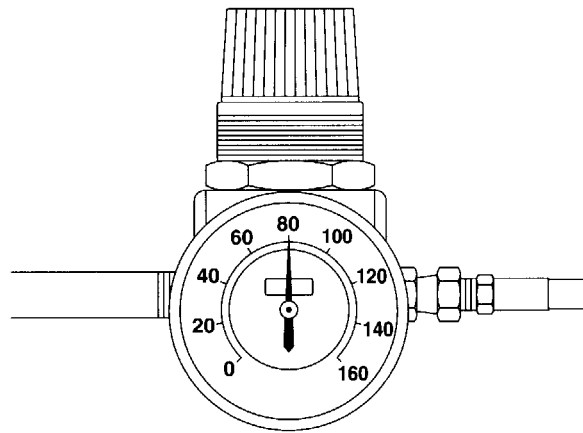


### ⚠ Attention

Ne pas raccorder l'applicateur à une source d'air comprimé présentant une pression supérieure à 80 lb/po<sup>2</sup>, car cela risque d'entraîner des situations susceptibles d'être dangereuses ou d'endommager l'applicateur.

**IMPORTANT:** Pour la mise au rebut de l'adhésif ou des composants d'adhésif, lire et suivre les renseignements contenus dans la FSSS portant sur l'adhésif de polyuréthane réactif 250 PUR Easy Scotch-Weld<sup>MC</sup> 3M<sup>MC</sup>.

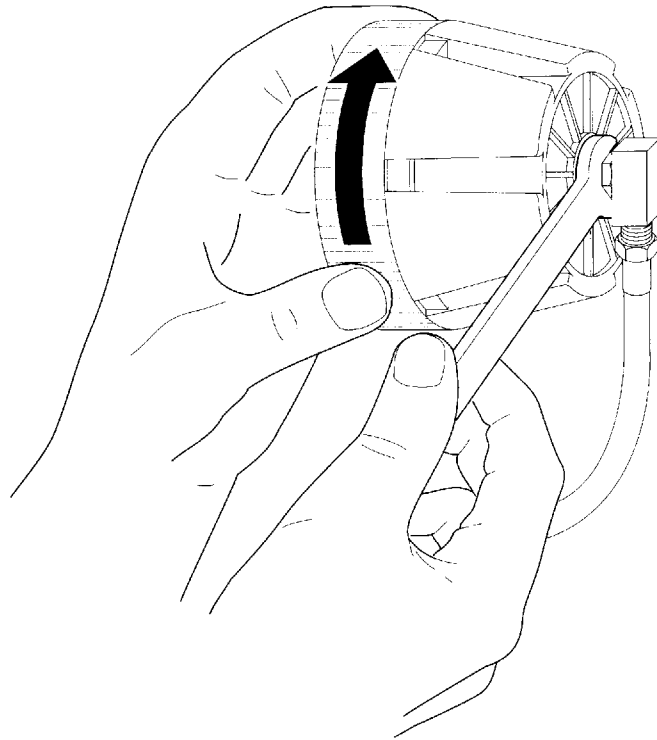
3. Remettre le capuchon d'extrémité en place. Augmenter la pression d'air à environ 80 lb/po<sup>2</sup>. Si l'adhésif commence à couler, régler à la pression désirée. Si l'adhésif ne coule pas ou coule difficilement, passer à l'étape suivante.



## **⚠ AVERTISSEMENT**

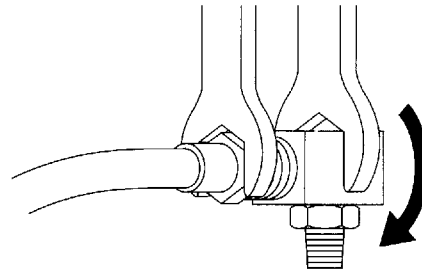
Ne pas enlever l'adhésif de polyuréthane réactif 250 PUR Easy Scotch-Weld<sup>MC</sup> 3M<sup>MC</sup> ou l'adhésif de polyuréthane réactif Scotch-Weld<sup>MC</sup> 3M<sup>MC</sup> avec de la chaleur, une flamme ou un solvant.  
**Peut dégager des vapeurs dangereuses ou provoquer un incendie.**

4. L'adhésif durci dans la buse jetable peut ralentir ou bloquer le débit de l'adhésif.
5. Retirer la buse jetable obstruée et installer une buse jetable neuve.
6. S'il n'y a pas d'apport d'air au niveau du capuchon d'extrémité lorsqu'on appuie sur la gâchette, vérifier si l'applicateur est correctement branché au régulateur d'air comprimé. Si les connexions sont adéquates et la pression réglée au moins à 30 lb/po<sup>2</sup>, passer à l'étape suivante.
7. Retirer le capuchon d'extrémité. À l'aide d'une clé à fourche de 7/16 po, immobiliser le connecteur articulé et dévisser le capuchon dans le sens de la flèche comme le montre l'illustration. Retirer le capuchon, puis le mettre de côté.

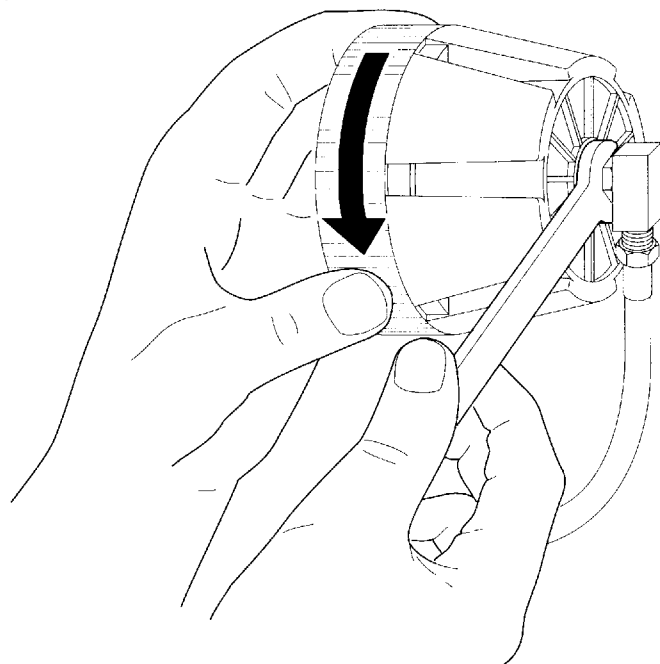


## Dépannage (suite)

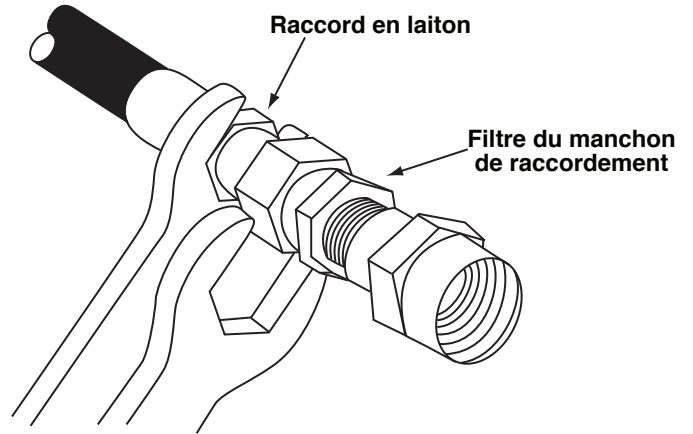
8. Tenir et diriger le connecteur articulé loin de soi et des autres et appuyer sur la gâchette. Si un jet d'air régulier sort du connecteur articulé, remplacer le capuchon d'extrémité 62-9895-0003-8. S'il n'y a pas d'air sortant de la soupape d'échappement rapide, passer à l'étape suivante.
9. Retirer le connecteur articulé du raccord de tuyau d'alimentation d'air en immobilisant le raccord avec une clé de 7/16 po tout en tournant la soupape d'échappement rapide à l'aide d'une clé de 1/2 po comme l'indique l'illustration.



10. Tenir et diriger le raccord de tuyau d'alimentation d'air loin de soi et des autres. Appuyer sur la gâchette. Si un jet d'air régulier sort du raccord, remplacer le connecteur articulé 62-9845-9934-0.
11. S'assurer que l'orifice du tube de perçage du capuchon d'extrémité est propre et dégagé. Si l'orifice est obstrué, remplacer le capuchon d'extrémité 62-9895-0003-8.
12. Raccorder le capuchon au connecteur articulé en inversant la procédure de l'étape 7.



13. Débrancher le tuyau principal de la source d'alimentation d'air.
14. Immobiliser le raccord en laiton avec une clé à fourche de 7/16 po, dévisser et retirer le filtre du manchon de raccordement d'air à l'aide d'une clé à fourche de 9/16 po.



15. Raccorder le raccord en laiton à la source d'alimentation d'air. Retirer le capuchon de l'applicateur, le diriger loin de soi et des autres et appuyer sur la gâchette. Si un jet d'air régulier sort du tube de perçage, remplacer le filtre de manchon de raccordement 62-9895-0001-2. S'il n'y a pas d'air sortant par le tube de perçage, passer à l'étape suivante.
16. En effectuant les essais ci-haut, tous les problèmes autres que ceux de l'ensemble soupape d'admission d'air ont été résolus. Remplacer l'ensemble soupape d'admission d'air et gâchette 62-9845-0009-0.

#### **Remarque**

Si l'applicateur ne fonctionne pas correctement une fois l'ensemble soupape d'admission d'air en place, communiquer avec le représentant de 3M de sa région.

# Dépannage (suite)

## Problème 3 Écoulement au niveau de la buse

Ce problème peut survenir après un arrêt de plusieurs jours parce que le matériau entourant le piston à l'arrière de la cartouche a commencé à durcir. Ce problème devrait disparaître après une brève période d'utilisation ou quand on insère une cartouche d'adhésif neuve. Si l'écoulement continue, remplacer la buse jetable.

## Problème 4 Débit d'adhésif continu

Si l'adhésif continue de couler après avoir relâché la gâchette, voici l'une des causes. Commencer par enlever le capuchon d'extrémité de l'applicateur. Si de l'air s'échappe et l'adhésif cesse de couler, remplacer la trousse de soupape d'admission (n° de pièce 62-9845-0009-0). Si l'adhésif continue de couler, il y a infiltration d'air à l'avant du piston interne. Cela provient soit d'un mauvais fonctionnement du système d'élimination de l'humidité au raccord d'admission de l'applicateur, soit d'une exposition de la cartouche d'adhésif à l'humidité une fois retirée de l'applicateur, soit du fait que la cartouche n'est pas préchauffée pendant 45 minutes. Lorsque l'adhésif a cessé de couler, remplacer la cartouche d'adhésif et suivre la procédure d'amorçage.

## Problème 5 Arrêt ralenti du débit de l'adhésif

Si, après avoir relâché la gâchette, l'adhésif continue de couler de l'embout pendant quelques secondes avant l'arrêt de l'applicateur, il peut être nécessaire de remplacer l'ensemble soupape d'admission d'air 62-9845-0009-0. **Cela peut se produire en présence d'air humide, huileux ou sale dans le système d'évacuation.**

## Problème 6 Arrêt ralenti du débit de l'adhésif

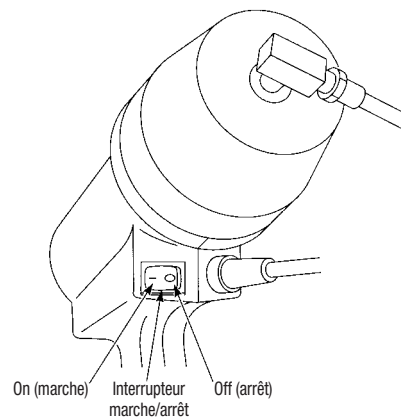
### Important

**Les étapes de dépannage devraient être effectuées par un électricien ou un responsable de l'entretien qualifié.**

1. Vérifier la prise de courant. S'il y a pas de courant, communiquer avec un électricien; dans le cas contraire, passer à l'étape suivante.
2. Mettre l'interrupteur marche/arrêt en position « Marche » (la partie rouge de l'interrupteur est alors visible). S'il n'y a pas de chaleur, passer à l'étape suivante.

### ⚠ AVERTISSEMENT

Débrancher l'applicateur de l'alimentation en air et de l'alimentation électrique et s'assurer qu'il est à température ambiante avant d'en effectuer l'entretien. Le fait de procéder à l'entretien de l'applicateur avant qu'il ne soit débranché ou qu'il n'ait refroidi **peut causer un choc électrique ou des brûlures**. Lire le manuel d'utilisation avant l'entretien.



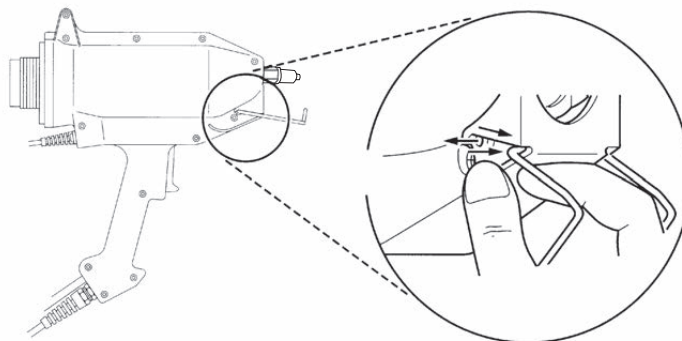
### Important

**Débrancher le cordon d'alimentation de la prise de courant mise à la terre et débrancher la source d'alimentation d'air avant d'effectuer des vérifications ou des réparations.**

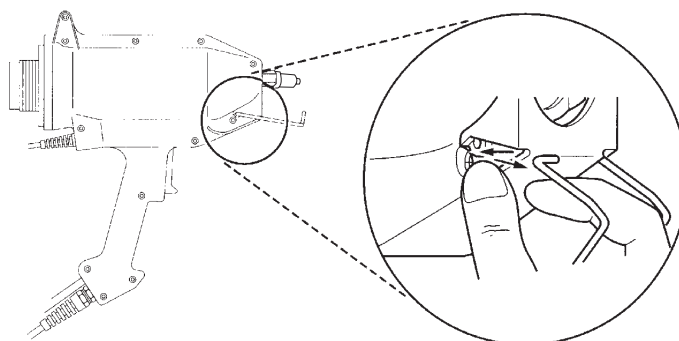


## Démontage de l'applicateur

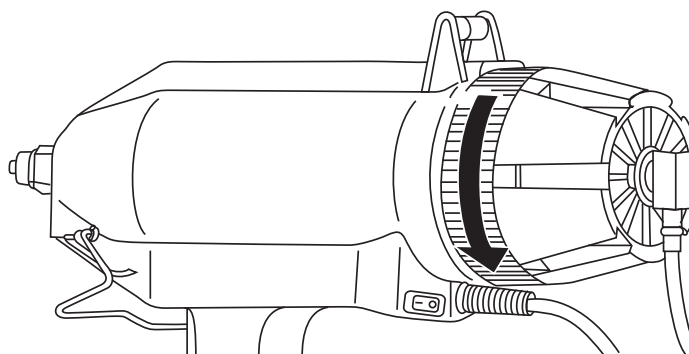
- Retirer le support en tirant suffisamment d'un côté pour le sortir de son orifice. Laisser le support s'insérer dans la cavité juste à l'avant de l'orifice.



- Répéter l'étape ci-dessus pour l'autre côté.
- Écarter l'un des côtés du support pour le retirer de la cavité et le séparer du boîtier. Enlever le support et le mettre de côté.



- Dévisser et retirer le capuchon d'extrémité.



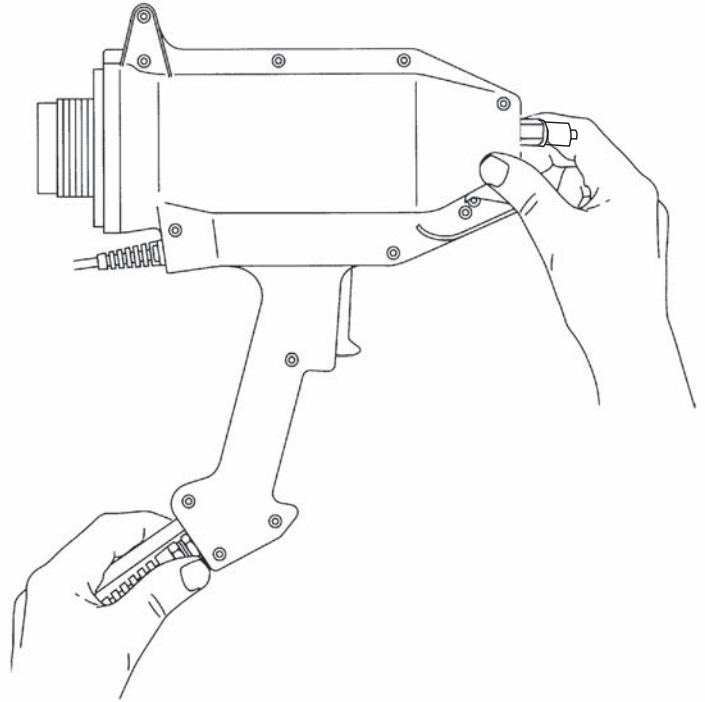
- Dans la mesure du possible, retirer la cartouche dotée d'une buse de l'applicateur.
- Déposer l'applicateur sur le côté, tête des vis vers le haut.

### ⚠ AVERTISSEMENT

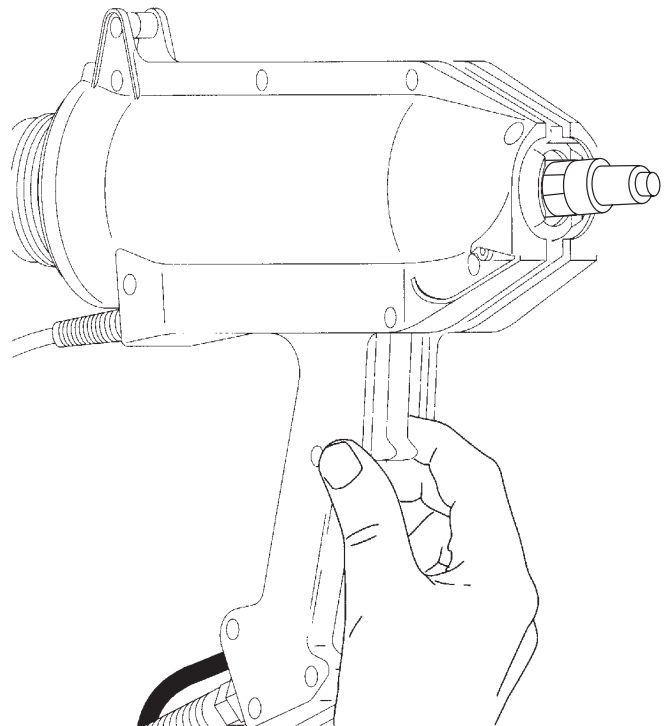
Débrancher l'applicateur de l'alimentation en air et de l'alimentation électrique et s'assurer qu'il est à température ambiante avant d'en effectuer l'entretien. Le fait de procéder à l'entretien de l'applicateur avant qu'il ne soit débranché ou qu'il n'ait refroidi **peut causer un choc électrique ou des brûlures**. Lire le manuel d'utilisation avant l'entretien.

# Dépannage (suite)

9. Dévisser les 12 vis à tête cruciforme.
10. Tirer doucement sur les moitiés du boîtier pour les séparer.



11. Tenir la gâchette contre le boîtier supérieur et soulever.



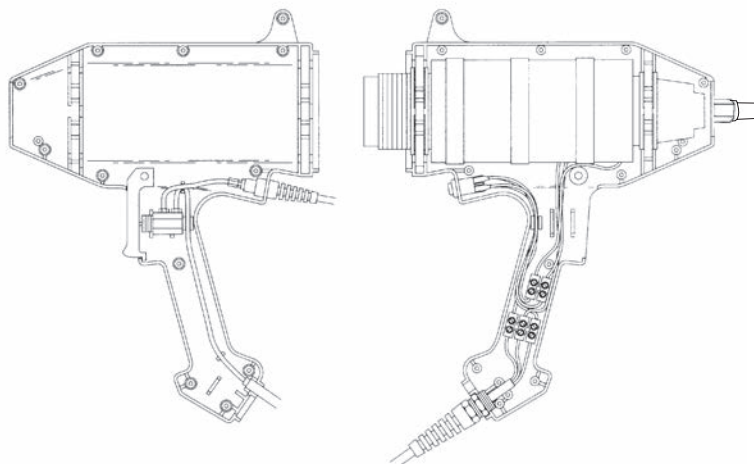
## ⚠ AVERTISSEMENT

Débrancher l'applicateur de l'alimentation en air et de l'alimentation électrique et s'assurer qu'il est à température ambiante avant d'en effectuer l'entretien. Le fait de procéder à l'entretien de l'applicateur avant qu'il ne soit débranché ou qu'il n'ait refroidi **peut causer un choc électrique ou des brûlures**. Lire le manuel d'utilisation avant l'entretien.

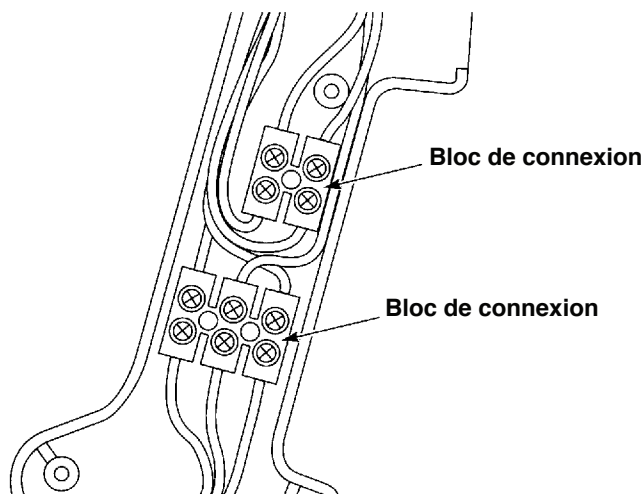
## **⚠ AVERTISSEMENT**

Débrancher l'applicateur de l'alimentation en air et de l'alimentation électrique et s'assurer qu'il est à température ambiante avant d'en effectuer l'entretien. Le fait de procéder à l'entretien de l'applicateur avant qu'il ne soit débranché ou qu'il n'ait refroidi **peut causer un choc électrique ou des brûlures**. Lire le manuel d'utilisation avant l'entretien.

12. Soulever et faire tourner le boîtier de 180 degrés dans le sens des aiguilles d'une montre, de manière à ouvrir les deux côtés et à voir les composants.

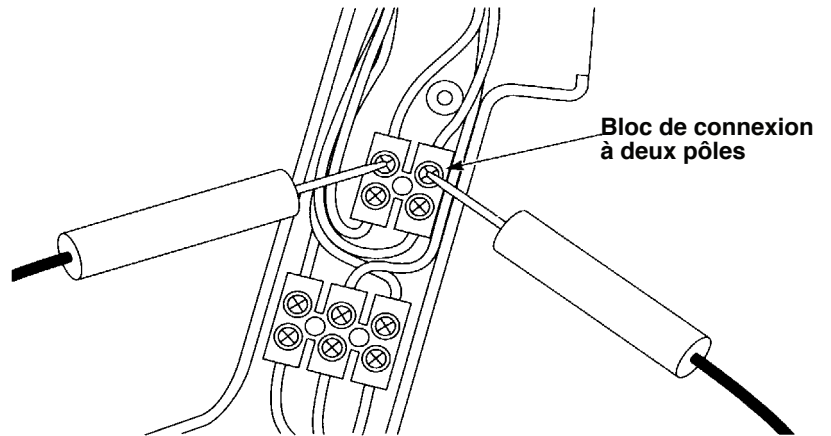


13. Vérifier s'il y a des fils lâches ou débranchés et visser les vis à fond pour retenir correctement les fils. S'il y a des fils lâches ou débranchés des blocs de connexion, refaire les connexions et les serrer conformément au schéma de câblage.



# Dépannage (suite)

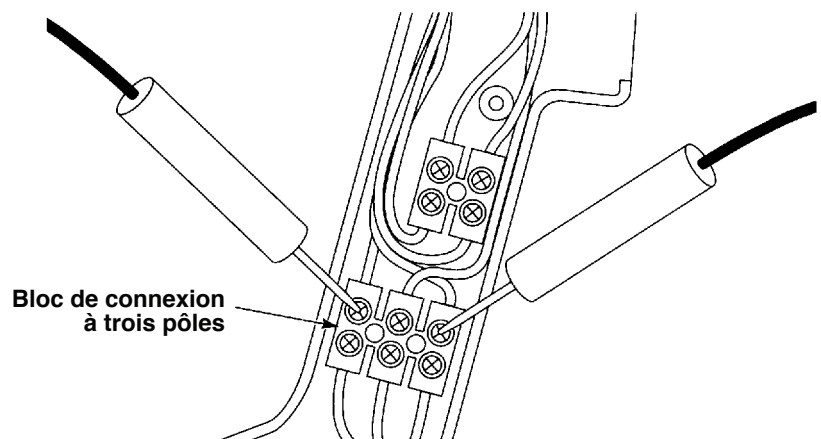
14. Utiliser un multimètre pour vérifier l'ensemble tube de chauffage. Placer une sonde sur la partie supérieure gauche du bloc de connexion à deux pôles. Avec l'autre sonde, toucher la partie supérieure droite du bloc.



## ⚠ AVERTISSEMENT

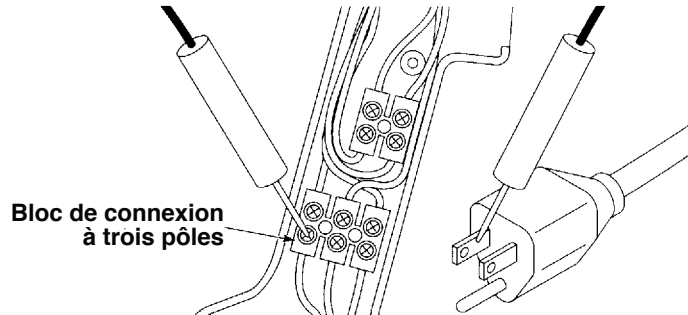
Débrancher l'applicateur de l'alimentation en air et de l'alimentation électrique et s'assurer qu'il est à température ambiante avant d'en effectuer l'entretien. Le fait de procéder à l'entretien de l'applicateur avant qu'il ne soit débranché ou qu'il n'ait refroidi **peut causer un choc électrique ou des brûlures**. Lire le manuel d'utilisation avant l'entretien.

15. S'il n'y a pas de continuité et que l'applicateur est toujours couvert par la garantie de 12 mois, communiquer avec le représentant des ventes de 3M ou le distributeur autorisé d'adhésifs de polyuréthane réactifs PUR Scotch-Weld<sup>MC</sup> 3M<sup>MC</sup> le plus proche. Si la garantie est échuë, communiquer avec le représentant des ventes de 3M ou le distributeur autorisé d'adhésifs de polyuréthane réactifs PUR Scotch-Weld<sup>MC</sup> 3M<sup>MC</sup> le plus proche au sujet du programme de « remise en état ». S'il y a continuité, passer à l'étape suivante.
16. À l'aide d'un multimètre, vérifier l'interrupteur marche/arrêt **en le mettant d'abord en position « Marche »** (la partie rouge est alors visible). Placer une sonde sur la partie supérieure gauche du bloc de connexion à trois pôles. Avec l'autre sonde, toucher la partie supérieure droite du bloc.



17. S'il n'y a pas de continuité, remplacer l'interrupteur 62-9895-0024-4. S'il y a continuité, passer à l'étape 13.

18. À l'aide d'un multimètre, vérifier le cordon d'alimentation en plaçant une sonde sur la partie inférieure gauche du bloc de connexion à trois pôles muni d'un fil noir. Placer l'autre sonde sur le côté gauche de la fiche.

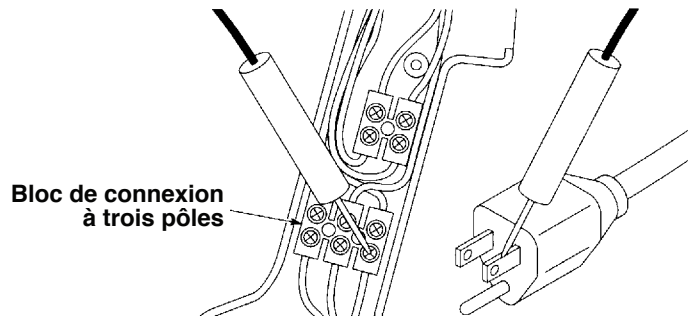


Déplacer le cordon vers l'avant et l'arrière pour s'assurer de l'absence d'une connexion partielle ou intermittente.

### **⚠ AVERTISSEMENT**

Débrancher l'applicateur de l'alimentation en air et de l'alimentation électrique et s'assurer qu'il est à température ambiante avant d'en effectuer l'entretien. Le fait de procéder à l'entretien de l'applicateur avant qu'il ne soit débranché ou qu'il n'ait refroidi **peut causer un choc électrique ou des brûlures**. Lire le manuel d'utilisation avant l'entretien.

19. Si la continuité est nulle ou partielle, remplacer le cordon d'alimentation 62-9895-0021-0.
20. S'il y a continuité, placer une sonde sur la partie inférieure droite du bloc de connexion à trois pôles muni du fil blanc. Placer l'autre sonde sur le côté neutre de la fiche. Déplacer le cordon vers l'avant et l'arrière pour s'assurer de l'absence d'une connexion partielle ou intermittente.

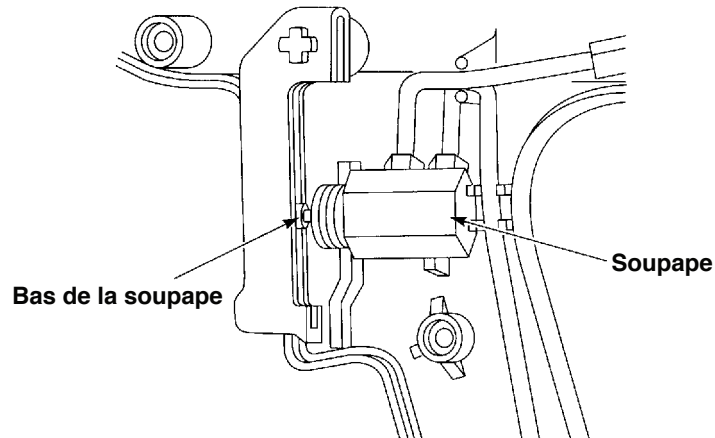


21. Si la continuité est nulle ou partielle, remplacer le cordon d'alimentation 62-9895-0021-0.
22. S'il y a continuité dans le cordon d'alimentation, mais toujours absence de chaleur, répéter les étapes de dépannage ou communiquer avec le représentant de 3M de sa région.

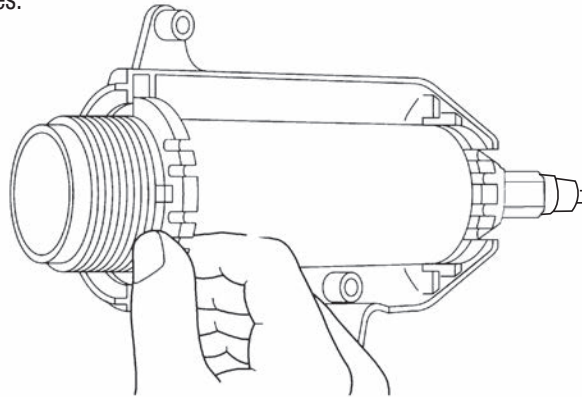
# Réassemblage de l'applicateur

Le montage du boîtier s'effectue habituellement à l'inverse du démontage en tenant compte des précautions ci-dessous.

1. S'assurer que la gâchette appuie sur le bouton de la soupape avant de remettre cette dernière en place. Placer la soupape de manière à ce que les raccords soient dirigés à l'opposé de soi et le long de la surface intérieure du boîtier, vers le bas. La partie plate hexagonale de la soupape doit être placée comme le montre l'illustration.



2. Si on a enlevé les écartements thermiques ou s'ils sont délogés, les remettre en place sur le tube de chauffage. S'assurer qu'ils sont complètement engagés avec les clés dans le tube de chauffage et qu'il n'y a aucun vide entre les écartements opposés.



3. Tenir le tuyau d'alimentation d'air dans son encoche au bas de la poignée lorsqu'on place le côté air sur le côté électrique.
4. Ne pas forcer les moitiés du boîtier ensemble. Vérifier la position de la gâchette et de la soupape si elles ne se placent pas correctement. S'assurer que le tube de chauffage est correctement placé s'il a été enlevé.
5. Remettre les douze (12) vis cruciformes en place et les serrer. Ne pas trop serrer.
6. Brancher l'alimentation électrique et l'alimentation d'air.
7. Après avoir laissé chauffer l'applicateur (jusqu'à 35 minutes au besoin), en vérifier le fonctionnement.

## ⚠ AVERTISSEMENT

N'utiliser qu'une fiche à trois broches avec mise à la terre et une prise de courant correctement mise à la terre. Ne pas utiliser de fiche ni de prise de courant correctement mises à la terre **peut causer des chocs électriques.**

**IMPORTANT:** En cas d'incertitude au sujet des branchements, consulter un électricien ou un responsable de l'entretien qualifié.

## ⚠ Attention

Ne pas raccorder l'applicateur à une source d'air comprimé présentant une pression supérieure à 80 lb/po<sup>2</sup>, car cela risque d'entraîner **des situations susceptibles d'être dangereuses ou d'endommager l'applicateur.**

**IMPORTANT:** Pour la mise au rebut de l'adhésif ou des composants d'adhésif, lire et suivre les renseignements contenus dans la FSSS portant sur l'adhésif de polyuréthane réactif 250 PUR Easy Scotch-Weld<sup>MC</sup> 3M<sup>MC</sup>.

## Garantie / Avis important / Limites de recours et de responsabilité

---

<b>Pendant la période de garantie</b>	Communiquer avec le distributeur autorisé d'adhésifs de polyuréthane réactifs PUR Scotch-Weld <sup>MC</sup> 3M <sup>MC</sup> de sa région.
---------------------------------------	--

---

<b>Après la période de garantie</b>	<p>On a conçu l'applicateur d'adhésif de polyuréthane réactif 250 PUR Easy Scotch-Weld<sup>MC</sup> 3M<sup>MC</sup> pour qu'il soit durable et fiable. Toutefois, sachant qu'il aura besoin d'entretien éventuellement, il est facile à démonter et à réparer.</p> <p>S'il faut faire réparer l'applicateur d'adhésif de polyuréthane réactif 250 PUR Easy Scotch-Weld<sup>MC</sup> 3M<sup>MC</sup>, communiquer avec le représentant de 3M de sa région pour commander des pièces ou pour une remise en état.</p>
-------------------------------------	--

---

<b>Avis important</b>	Il incombe à l'utilisateur d'établir si l'applicateur d'adhésif de polyuréthane réactif 250 PUR Easy Scotch-Weld <sup>MC</sup> 3M <sup>MC</sup> convient à l'usage auquel il le destine et à la méthode d'application prévue.
-----------------------	---

---

<b>Garantie</b>	<p>3M garantit pendant 12 mois, à partir de la date d'achat ou d'utilisation, selon la première éventualité, que l'applicateur d'adhésif de polyuréthane réactif 250 PUR Easy Scotch-Weld<sup>MC</sup> 3M<sup>MC</sup> sera exempt de défauts de matériaux et de fabrication. 3M garantit pendant 30 jours, à partir de la date d'achat ou d'utilisation, selon la première éventualité, que l'applicateur d'adhésif de polyuréthane réactif 250 PUR Easy Scotch-Weld<sup>MC</sup> 3M<sup>MC</sup> réusiné sera exempt de défauts de matériaux et de fabrication. <b>3M N'OFFRE AUCUNE AUTRE GARANTIE OU CONDITION EXPLICITE OU IMPLICITE, Y COMPRIS, MAIS SANS S'Y LIMITER, TOUTE GARANTIE OU CONDITION IMPLICITE DE QUALITÉ MARCHANDE OU D'ADAPTATION À UN USAGE PARTICULIER, OU TOUTE GARANTIE OU CONDITION IMPLICITE DÉCOULANT DE LA CONDUITE DES AFFAIRES, DES PRATIQUES COURANTES ET DES USAGES DU COMMERCE.</b> La présente garantie ne couvre pas l'entretien périodique, l'usure normale et les dommages découlant d'un accident, ou d'une mauvaise utilisation, d'une modification, de la corrosion, d'un manque d'entretien raisonnable, d'un entretien effectué par un service de réparation non autorisé, de l'utilisation d'une pièce ou d'un accessoire de rechange non autorisés, d'une installation, d'une utilisation, d'un fonctionnement ou d'un entretien non conformes aux procédures recommandées par 3M, ou de l'utilisation de cartouches d'adhésif autres que celles fabriquées par 3M ou non conformes aux normes de qualité de 3M.</p>
-----------------	--

---

<b>Limite de recours</b>	Si l'applicateur d'adhésif de polyuréthane réactif 250 PUR Easy Scotch-Weld <sup>MC</sup> 3M <sup>MC</sup> s'avère défectueux pendant la période de garantie mentionnée ci-dessus, <b>le seul recours de l'utilisateur est, au gré de 3M, d'obtenir la réparation ou le remplacement de l'applicateur défectueux</b> , pourvu que l'applicateur soit, au gré de 3M, immédiatement envoyé à 3M ou à un service d'entretien autorisé par 3M, ou qu'il soit disponible chez l'utilisateur à un endroit propice à la réparation.
--------------------------	--

---

<b>Limite de responsabilité</b>	3M ne saurait être tenue responsable des pertes ou dommages directs, indirects, spéciaux, fortuits ou conséquents, quelle que soit la théorie juridique ou équitable dont on se prévaut, y compris celles de responsabilité contractuelle, de négligence, de violation de garantie ou de responsabilité stricte.
---------------------------------	--

## Notes:



# 3M

## Scotch-Weld™

### Aplicador de Adhesivo de Poliuretano Reactivo (PUR) Easy 250

## Manual del Usuario

120V. USA
100V. JAPAN
120V. USA REFURB



Utilícelo solamente con el Poliuretano Reactivo (PUR) Easy 250 Scotch-Weld™ de 3M™ o Adhesivos de Poliuretano Reactivo Scotch-Weld™ de 3M™. Por favor lea todas las instrucciones antes usar.

# Índice

Instrucciones Importantes de Seguridad .....	1
Adhesivo de Poliuretano Reactivo (PUR) Easy 250 Scotch-Weld™ de 3M™ .....	1
Operación del Aplicador de Adhesivo PUR Easy 250 Scotch-Weld™ de 3M™ .....	1
Servicio del Aplicador de Adhesivo PUR Easy 250 Scotch-Weld™ de 3M™ .....	2
Instrucciones de Toma de Tierra .....	3
Instalación y Configuración .....	4-5
Cargando el Aplicador y Dispensando con un Nuevo Cartucho .....	6-8
Recargando el Aplicador .....	9-15
Recargo del Cartucho Frio .....	9-13
Recargo del Cartucho Precaentado .....	14-15
Apagando el Aplicador .....	15
Diagrama del Aplicador y Lista de Refacciones .....	16
Partes y Accesorios .....	17-18
Productividad y Comodidad del Operador.....	19
Búsqueda de Fallas .....	20-35
Condición 1: Poco o Sin Flujo de Adhesivo/Fuga de Aire Perceptible .....	21-25
Condición 2: Poco o Sin Flujo de Adhesivo/Fuga de Aire No Perceptible .....	26-29
Condición 3: Goteo de Boquilla .....	30
Condición 4: Flujo Continuo del Adhesivo .....	30
Condición 5: Apague Lento del Adhesivo .....	30
Condición 6: El Aplicador no Calienta .....	30-35
Procedimiento de Reensamblaje del Aplicador .....	36
Garantía/Aviso Importante/Limitación de Recursos/Limitación de Responsabilidad .....	37

# Instrucciones Importantes de Seguridad

## GUARDE ESTAS INSTRUCCIONES

Lea todas las instrucciones antes de usar este producto.

### Poliuretano Reactivo (PUR) Easy 250 Scotch-Weld™ de 3M™ o Adhesivo de Poliuretano Reactivo Scotch-Weld™ de 3M™

Para información de salud y seguridad, vea la etiqueta del producto y la Hoja de Datos de Seguridad del Material para el Adhesivo de Poliuretano Reactivo (PUR) Easy 250 Scotch-Weld™ de 3M™ antes de usarlo.

#### ADVERTENCIA

Utilícelo solamente con el Poliuretano Reactivo (PUR) Easy 250 Scotch-Weld™ de 3M™ o los Cartuchos de Adhesivo de Poliuretano Reactivo Scotch-Weld™ de 3M™. El uso con cualquier otro material **puede causar condiciones peligrosas.**

#### ADVERTENCIA

El Poliuretano Reactivo (PUR) Easy 250 Scotch-Weld™ de 3M™ o los Cartuchos de Adhesivo de Poliuretano Reactivo Scotch-Weld™ de 3M™ se deben precalentar o utilizar en el Precalentador de Adhesivo de Poliuretano Reactivo (PUR) Easy 250 Scotch-Weld™ de 3M™ o el Aplicador de Adhesivo (PUR) Easy 250 Scotch-Weld™ de 3M™ solamente. No precaliente el Poliuretano Reactivo (PUR) Easy 250 Scotch-Weld™ de 3M™ o los Cartuchos de Adhesivo de Poliuretano Reactivo Scotch-Weld™ de 3M™ en hornos o en otros aparatos de calefacción o los utilice en otros aplicadores. **Pueden causar condiciones peligrosas.**

#### ADVERTENCIA

No caliente o exponga el Poliuretano Reactivo (PUR) Easy 250 Scotch-Weld™ de 3M™ o el Adhesivo de Poliuretano Reactivo Scotch-Weld™ de 3M™ a temperaturas o superficies por encima de 275°F (135°C). **Los vapores del material calentado pueden irritar los ojos y las vías respiratorias y pueden causar síntomas como de asma en personas sensibilizadas previamente a los isocianatos.**

#### ADVERTENCIA

No limpie o remueva el Poliuretano Reactivo (PUR) Easy 250 Scotch-Weld™ de 3M™ o el Adhesivo de Poliuretano Reactivo Scotch-Weld™ de 3M™ con calor, llama, o solvente. **Puede causar vapor peligroso o fuego.**

#### ADVERTENCIA

Evite el contacto con materiales inflamables

### Operación del Aplicador de Adhesivo Poliuretano Reactivo (PUR) Easy 250 Scotch-Weld™ de 3M™

#### ADVERTENCIA

Para reducir el riesgo de descarga eléctrica o lesiones mientras opera o mantiene el Aplicador de Adhesivo de Poliuretano Reactivo (PUR) Easy 250 Scotch-Weld™ de 3M™, observe las siguientes reglas de seguridad:

1. Opere y mantenga el aplicador solamente como se describe en éste manual.
2. Conecte el aplicador solamente a una toma apropiadamente conectada a tierra.
3. No desenchufe el aplicador jalando el cable. Sujete la clavija, no el cable, para desconectar.
4. No manipule la clavija o el aplicador con las manos mojadas.
5. No utilice el aplicador al aire libre o en superficies mojadas.
6. No utilice el aplicador con el cable o la clavija dañados.
7. No utilice el aplicador si no está funcionando correctamente o se ha caído, dañado, sumergido en el agua, o dejado a la intemperie.

#### ADVERTENCIA

Utilice una clavija de tres patas conectada a tierra y tomacorriente correctamente puesta a tierra. Si no se utiliza la clavija y la toma de corriente apropiadamente a tierra, **puede provocar una descarga eléctrica.**

**Importante:** Si usted no está seguro(a) si las conexiones son apropiadas, obtenga ayuda de un electricista o de una persona de servicio calificada.

#### ADVERTENCIA

No utilice un cable de extensión no aprobado con el aplicador. Utilice un cable de extensión que cumpla con los requisitos de NEC y los códigos locales, estatales y otros requisitos.

**Importante:** Utilice solamente un cable de extensión de tres patas puesto a tierra, correctamente evaluado que cumpla con los requisitos de NEC y los códigos locales y estatales. El uso de un cable de extensión incorrecto puede causar una descarga eléctrica.

*Continúa en la página siguiente*

# Instrucciones Importantes de Seguridad (continuación)

## Importante PARA USO INDUSTRIAL SOLAMENTE

Este Aplicador de Adhesivo de Poliuretano Reactivo (PUR) Easy 250 Scotch-Weld™ de 3M™ está diseñado exclusivamente para usarse con el Poliuretano Reactivo (PUR) Easy 250 Scotch-Weld™ de 3M™ o los Adhesivos de Poliuretano Reactivo Scotch-Weld™ de 3M™. El uso de este aplicador con otros adhesivos o el uso de este aplicador que no sea para su uso previsto puede resultar en condiciones peligrosas o riesgosas.

### Cuidado

Evite el contacto con adhesivo, cartucho, la punta del aplicador, y componentes metálicos calientes. **Puede causar quemaduras.**

**Importante:** Utilice guantes resistentes al calor y lentes de seguridad cuando use el aplicador.

### Cuidado

No conecte el aplicador al suministro de aire con presión de aire más de 80 psi. **Puede causar condiciones peligrosas o dañar el aplicador.**

**Importante:** Para la eliminación de componentes del adhesivo o adhesivos, por favor lea y siga la información que se encuentra en la hoja MSDS del Adhesivo de Poliuretano Reactivo (PUR) Easy 250 Scotch-Weld™ de 3M™.

## Mantenimiento del Aplicador de Adhesivo de Poliuretano Reactivo (PUR) Easy 250 Scotch-Weld™ de 3M

### ADVERTENCIA

Desconecte el aire y la energía eléctrica y asegúrese de que el aplicador se haya enfriado a la temperatura ambiental antes de dar servicio. Si no se desconecta el aire y la energía eléctrica o si no se permite que el aplicador se enfríe antes de prestar servicio, **podría causar una descarga eléctrica o quemaduras.** Lea el manual del usuario antes de dar servicio.

### ADVERTENCIA

Utilice solamente las refacciones especificadas por 3M. El uso de otras refacciones **puede causar condiciones peligrosas o dañar el aplicador.**

### ADVERTENCIA

No modifique la clavija provista con el aplicador o la utilice con un adaptador o tomacorriente sin contacto a tierra. La toma de tierra incorrecta del aplicador **puede causar una descarga eléctrica.**

**Importante:** Si la clavija no se adapta al tomacorriente, solicite a un electricista o técnico de servicio calificado que instale el tomacorriente adecuado.

# Instrucciones de Toma de Tierra

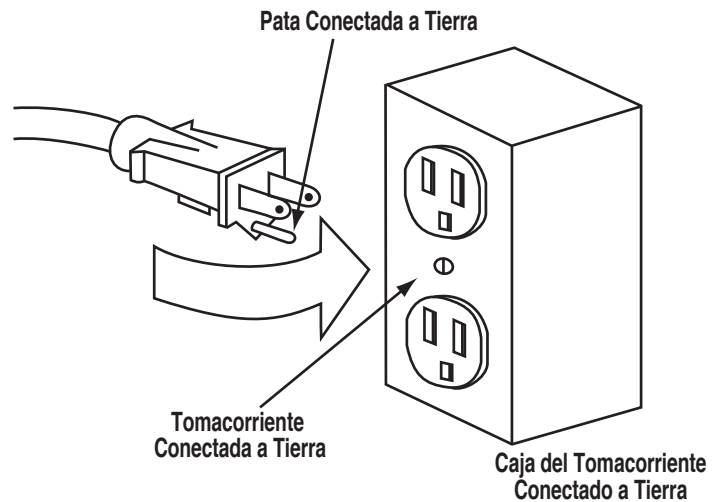
## ⚠ ADVERTENCIA

No modifique la clavija provista con el aplicador o la utilice con un adaptador o tomacorriente sin contacto a tierra. La toma de tierra incorrecta del aplicador **puede causar una descarga eléctrica.**

**Importante:** Si la clavija no se adapta al tomacorriente, solicite a un electricista o técnico de servicio calificado que instale el tomacorriente adecuado.

El Aplicador de Adhesivo de Poliuretano Reactivo (PUR) Easy 250 Scotch-Weld™ de 3M™ debe tener contacto a tierra. Si el aplicador malfunciona o se descompone, la conexión a tierra provee una vía de menor resistencia para que la corriente eléctrica reduzca el riesgo de descarga eléctrica.

Este aplicador está equipado con un cable que tiene un conductor y clavija con conexión a tierra. La clavija debe usarse con un tomacorriente apropiado que esté instalado y conectado correctamente a tierra de acuerdo con todos los códigos y requisitos locales y estatales.



El Aplicador de Adhesivo de Poliuretano Reactivo (PUR) Easy 250 Scotch-Weld™ de 3M™ tiene por objeto para usarse en un circuito nominal de 120 voltios y tiene una clavija con conexión a tierra como se muestra en la figura de arriba. Asegúrese de que el aplicador esté conectado a un tomacorriente que tenga la misma configuración que la clavija. **No use un adaptador.**

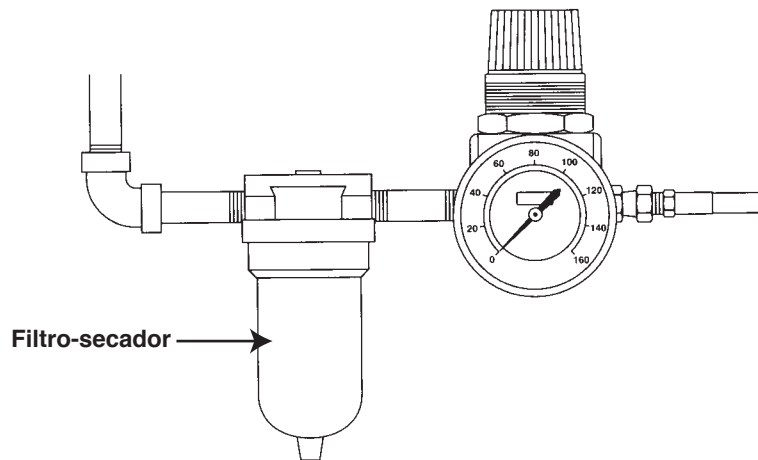
# Instalación y Configuración

## ⚠ Cuidado

No conecte el aplicador al suministro de aire con presión de aire más de 80 psi. **Puede causar condiciones peligrosas o dañar el aplicador.**

**Importante:** Para la eliminación de componentes del adhesivo o adhesivos, por favor lea y siga la información que se encuentra en la hoja MSDS del Adhesivo de Poliuretano Reactivo (PUR) Easy 250 Scotch-Weld™ de 3M™.

1. Saque el aplicador del contenedor de envío y examínelo por cualquier daño obvio. Si está dañado, no lo utilice e inmediatamente póngase en contacto con su representante local de 3M.
2. Conecte el acoplamiento provisto de aire al extremo de la manguera de suministro (tubo macho de rosca de 1/4 de pulgada) al suministro de aire filtrado, regulado y seco. (El regulador y el filtro no son incluidos.)

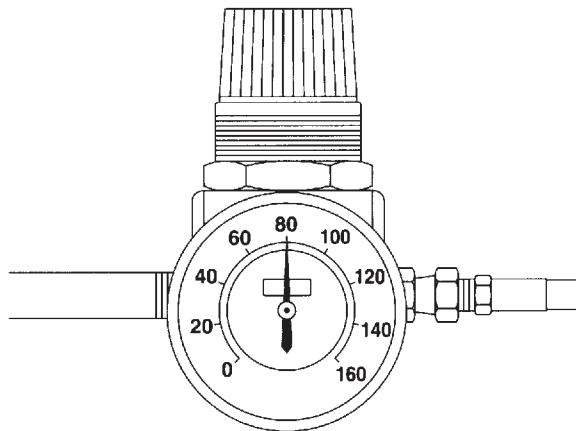


## ⚠ ADVERTENCIA

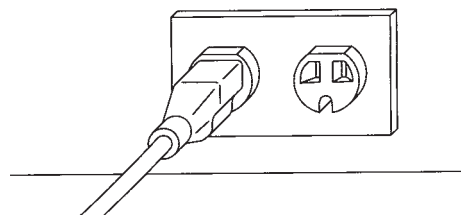
Utilice una clavija de tres patas conectada a tierra y tomacorriente correctamente puesta a tierra. Si no se utiliza la clavija y la toma de corriente apropiadamente a tierra, **puede provocar una descarga eléctrica.**

**Importante:** Si usted no está seguro(a) si las conexiones son apropiadas, obtenga ayuda de un electricista o de una persona de servicio calificada.

3. Ajuste el regulador del aire a un punto de inicio de 80 psi.



4. Enchufe el aplicador en un receptáculo con conexión a tierra.



**⚠ Cuidado**

Evite el contacto con adhesivo, cartucho, la punta del aplicador, y componentes metálicos calientes. **Puede causar quemaduras.**

**Importante:** Utilice guantes resistentes al calor y lentes de seguridad cuando use el aplicador.

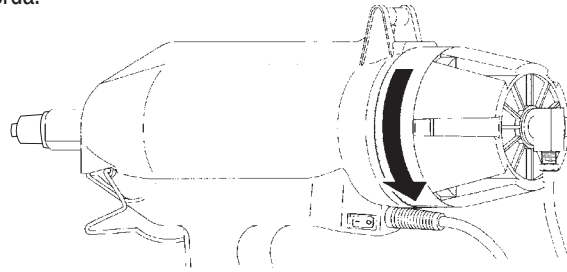
**⚠ ADVERTENCIA**

Utilice solamente Poliuretano Reactivo (PUR) Easy 250 Scotch-Weld™ de 3M™ o Cartuchos de Adhesivo de Poliuretano Reactivo Scotch-Weld™ de 3M™. El uso con cualquier otro material **puede causar condiciones peligrosas.**

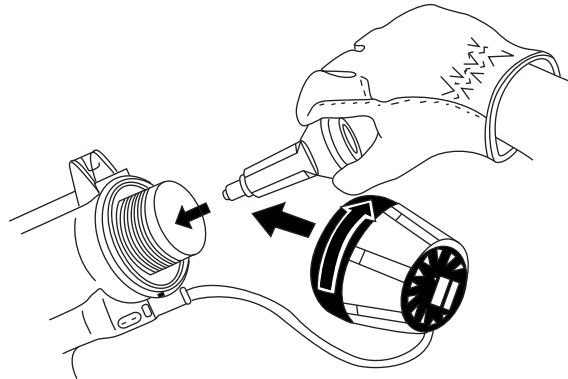
**⚠ ADVERTENCIA**

El Poliuretano Reactivo (PUR) Easy 250 Scotch-Weld™ de 3M™ o los Cartuchos de Adhesivo de Poliuretano Reactivo Scotch-Weld™ de 3M™ se deben precalentar o utilizar en el Precalentador de Adhesivo de Poliuretano Reactivo (PUR) Easy 250 Scotch-Weld™ de 3M™ o el Aplicador de Adhesivo (PUR) Easy 250 Scotch-Weld™ de 3M™ solamente. No precaliente el Poliuretano Reactivo (PUR) Easy 250 Scotch-Weld™ de 3M™ o los Cartuchos de Adhesivo de Poliuretano Reactivo Scotch-Weld™ de 3M™ en hornos o en otros aparatos de calefacción o los utilice en otros aplicadores. **Pueden causar condiciones peligrosas.**

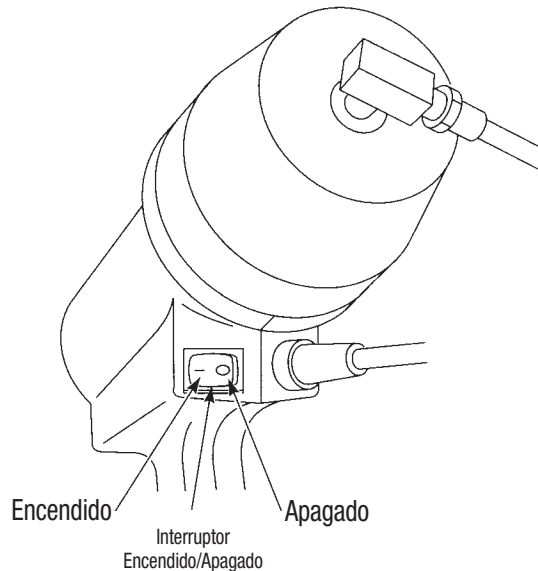
5. Remueva la cubierta trasera del aplicador desatornillandola hacia la izquierda.



6. Inserte el bastidor de la boquilla con la cubierta de la punta en la parte trasera del aplicador y déjelos caer en posición.



7. Presione el interruptor de encendido / apagado a la posición de "encendido", indicado por la porción visible roja del interruptor.



# Cargando el Aplicador y Dispensando con un Nuevo Cartucho de Adhesivo

## ⚠ ADVERTENCIA

Utilice solamente Poliuretano Reactivo (PUR) Easy 250 Scotch-Weld™ de 3M™ o Cartuchos de Adhesivo de Poliuretano Reactivo Scotch-Weld™ de 3M™. El uso con cualquier otro material **puede causar condiciones peligrosas.**

## ⚠ ADVERTENCIA

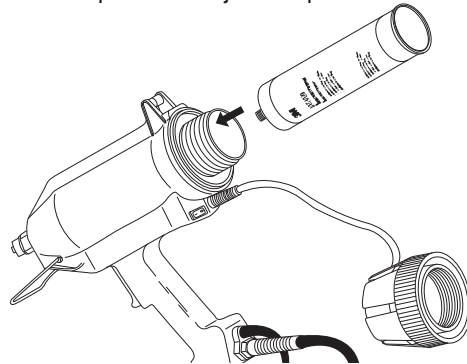
El Poliuretano Reactivo (PUR) Easy 250 Scotch-Weld™ de 3M™ o los Cartuchos de Adhesivo de Poliuretano Reactivo Scotch-Weld™ de 3M™ se deben precalentar o utilizar en el Precalentador de Adhesivo de Poliuretano Reactivo (PUR) Easy 250 Scotch-Weld™ de 3M™ o el Aplicador de Adhesivo (PUR) Easy 250 Scotch-Weld™ de 3M™ solamente. No precaliente el Poliuretano Reactivo (PUR) Easy 250 Scotch-Weld™ de 3M™ o los Cartuchos de Adhesivo de Poliuretano Reactivo Scotch-Weld™ de 3M™ en hornos o en otros aparatos de calefacción o los utilice en otros aplicadores. **Pueden causar condiciones peligrosas.**

## ⚠ Cuidado

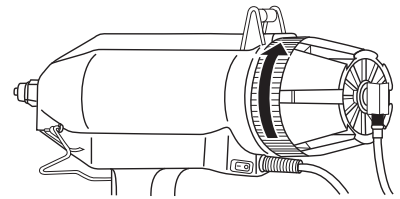
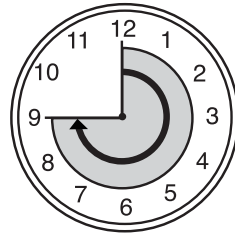
Evite el contacto con adhesivo, cartucho, la punta del aplicador, y componentes metálicos calientes. **Puede causar quemaduras.**

**Importante:** Utilice guantes resistentes al calor y lentes de seguridad cuando use el aplicador.

1. Remueva la cubierta trasera e inserte el cartucho de adhesivo dentro del aplicador como se demuestra sin perforarlo o fijar la boquilla desechable.



2. Apriete la cubierta trasera del aplicador para asegurar un sello positivo. Deje que el cartucho se caliente por un mínimo de 45 minutos.



3. Retire el cartucho de adhesivo y colóquelo en una banca o superficie plana de trabajo con la rosca de la boquilla apuntando hacia arriba. Permita que el cartucho repose por aproximadamente 60 segundos.



4. Ponga un trapo o una toalla de papel alrededor o cerca de la porción de la boquilla del cartucho.



**Nota:** Si hay un pequeño "eructo" de adhesivo, el trapo o toalla de papel contendrá cualquier adhesivo y permitirá limpiar antes de conectar la boquilla desechable.

5. Ponga un punzón o una herramienta similar en la porción de la boquilla del cartucho como se muestra.



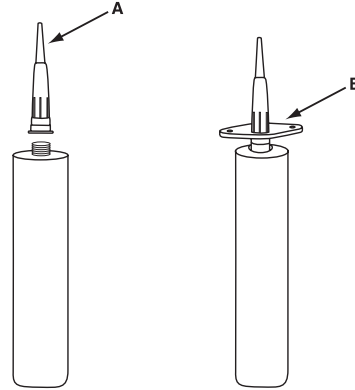
## ⚠ ADVERTENCIA

El Poliuretano Reactivo (PUR) Easy 250 Scotch-Weld™ de 3M™ o los Cartuchos de Adhesivo de Poliuretano Reactivo Scotch-Weld™ de 3M™ se deben precalentar o utilizar en el Precalentador de Adhesivo de Poliuretano Reactivo (PUR) Easy 250 Scotch-Weld™ de 3M™ o el Aplicador de Adhesivo (PUR) Easy 250 Scotch-Weld™ de 3M™ solamente. No precaliente el Poliuretano Reactivo (PUR) Easy 250 Scotch-Weld™ de 3M™ o los Cartuchos de Adhesivo de Poliuretano Reactivo Scotch-Weld™ de 3M™ en hornos o en otros aparatos de calefacción o los utilice en otros aplicadores. **Pueden causar condiciones peligrosas.**

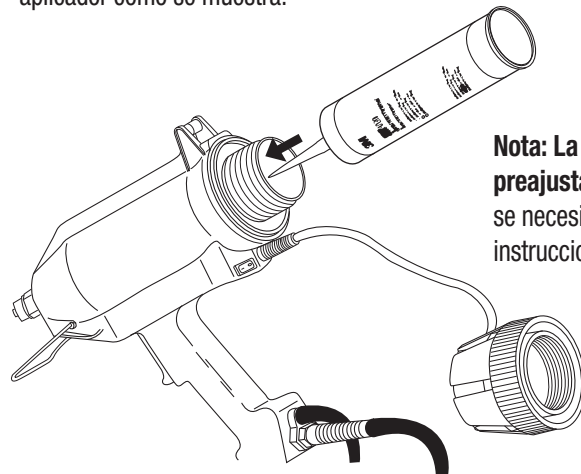
## ⚠ ADVERTENCIA

Utilice solamente Poliuretano Reactivo (PUR) Easy 250 Scotch-Weld™ de 3M™ o Cartuchos de Adhesivo de Poliuretano Reactivo Scotch-Weld™ de 3M™. El uso con cualquier otro material **puede causar condiciones peligrosas.**

6. Golpee la manija del punzón usando un martillo, mazo o un instrumento similar hasta que el sello de aluminio enfrente del cartucho se perforo.
7. Seleccione e instale una boquilla desechable (A) provista con el Adhesivo de Poliuretano Reactivo (PUR) Easy 250 Scotch-Weld™ de 3M™ o el Adhesivo de Poliuretano Reactivo Scotch-Weld™ de 3M™ en el cartucho girando la boquilla hacia la derecha hasta que la base de la boquilla esté apretada o rasante con el cartucho usando la llave de plástico (B) suministrada para ayudar el ajuste.

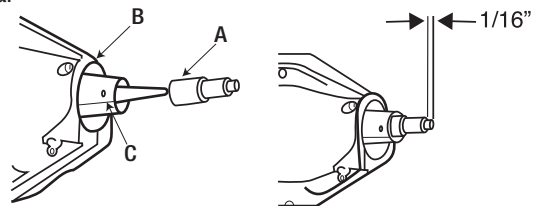


8. Inserte el cartucho de adhesivo completo con la boquilla desechable en el aplicador como se muestra.



**Nota: La cubierta es preajustada en la fábrica.** Si se necesita un ajuste, siga las instrucciones en el paso 9.

9. Ajuste de la Cubierta: Con el Poliuretano Reactivo (PUR) Easy 250 Scotch-Weld™ de 3M™ o el Cartucho de Adhesivo de Poliuretano Reactivo Scotch-Weld™ de 3M™ y la boquilla desechable cargados en el aplicador, inserte la cubierta de la boquilla (A) en el bastidor de la boquilla (B) permitiendo que aproximadamente 1/16" de la boquilla desechable sobresalga como se demuestra y apriete el tornillo de presión (C) para asegurarla.



**Importante:** Si se permite que no más de 1/16" a 1/8" de la boquilla de plástico desechable sobresalga de la cubierta de la punta, asegurará que el adhesivo permanezca derretido entre pulsaciones.

# Cargando el Aplicador y Dispensando con un Nuevo Cartucho de Adhesivo (continuación)

## ⚠ ADVERTENCIA

No caliente o exponga el Poliuretano Reactivo (PUR) Easy 250 Scotch-Weld™ de 3M™ o el Adhesivo de Poliuretano Reactivo Scotch-Weld™ de 3M™ a temperaturas o superficies por encima de 275°F (135°C). **Los vapores del material calentado pueden irritar los ojos y las vías respiratorias y pueden causar síntomas como de asma en personas sensibilizadas previamente a los isocianatos.**

## ⚠ Cuidado

No conecte el aplicador al suministro de aire con presión de aire más de 80 psi. **Puede causar condiciones peligrosas o dañar el aplicador.**

**Importante:** Para la eliminación de componentes del adhesivo o adhesivos, por favor lea y siga la información que se encuentra en la hoja MSDS del Adhesivo de Poliuretano Reactivo (PUR) Easy 250 Scotch-Weld™ de 3M™.

## ⚠ ADVERTENCIA

No limpie o remueva el Poliuretano Reactivo (PUR) Easy 250 Scotch-Weld™ de 3M™ o el Adhesivo de Poliuretano Reactivo Scotch-Weld™ de 3M™ con calor, llama, o solvente. **Puede causar vapor peligroso o fuego.** Para información adicional de salud y seguridad, vea la etiqueta del producto y la Hoja de Datos de Seguridad del Material del Adhesivo Scotch-Weld usado.

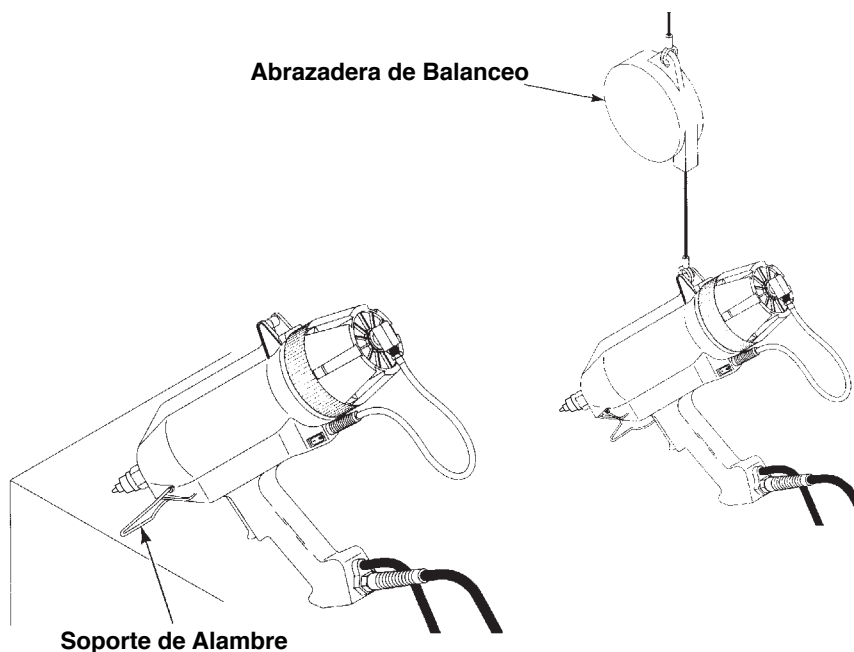
**Importante:** Para información adicional de salud y seguridad, vea la etiqueta del producto y la Hoja de Datos de Seguridad del Material del Adhesivo Scotch-Weld usado.

## Dispensando

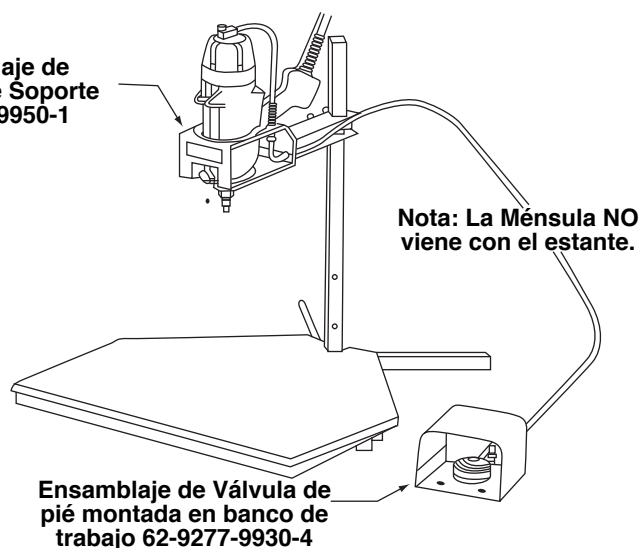
1. Active el disparador en el aplicador para aplicar adhesivo. Para mejores resultados, ajuste la presión de aire a 80 PSI para iniciar el flujo.
2. Ajuste para obtener el flujo de adhesivo deseado ajustando el regulador de aire entre 30 psi y 80 psi.

### Nota

Para mejores resultados, cuelgue el aplicador de la abrazadera de balanceo o párelo usando el alambre de soporte o montándolo en la mesa de trabajo.



Ensamblaje de  
Ménsula de Soporte  
62-9895-9950-1



# Recargando el Aplicador

## Recargo del Cartucho Frio

### ⚠ Cuidado

Evite el contacto con adhesivo, cartucho, la punta del aplicador, y componentes metálicos calientes. **Puede causar quemaduras.**

**Importante:** Utilice guantes resistentes al calor y lentes de seguridad cuando use el aplicador.

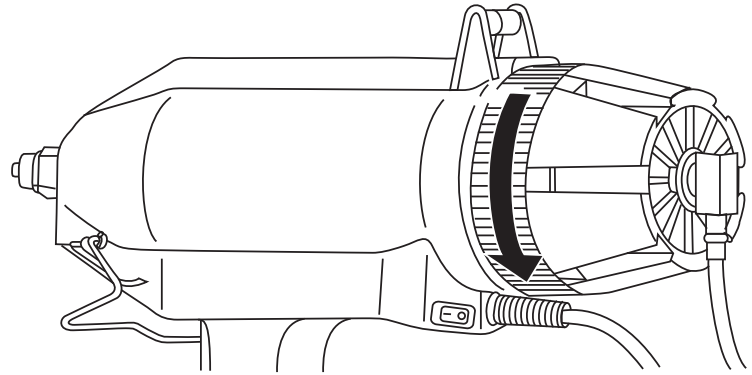
### ⚠ ADVERTENCIA

Utilice solamente Poliuretano Reactivo (PUR) Easy 250 Scotch-Weld™ de 3M™ o Cartuchos de Adhesivo de Poliuretano Reactivo Scotch-Weld™ de 3M™. El uso con cualquier otro material **puede causar condiciones peligrosas.**

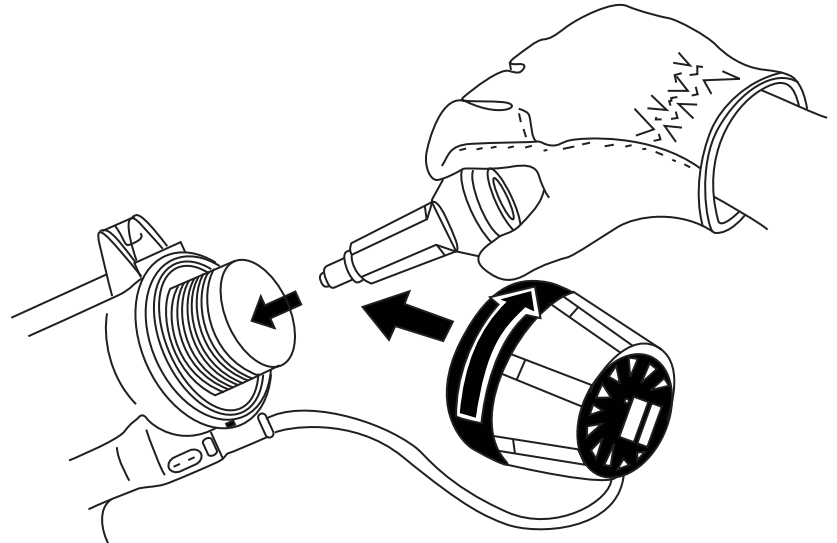
### Importante.

El adhesivo tendrá resistencia a fluir a través del aplicador si el total de tiempo de calentamiento del cartucho de adhesivo excede 16 horas (tiempo total incluyendo en el calentador y en el aplicador). Deseche correctamente cualquier cartucho de adhesivo que haya sido calentado por más de 16 horas y sustitúyalo por un cartucho nuevo calentado.

1. Si el aplicador esta frío, enciéndalo y permita que caliente por (5) minutos.
2. Desatornille y quite la cubierta trasera del aplicador.



3. Remueva del aplicador el cartucho vacío con la boquilla desechable fijada y deseche los. Inspeccione el bastidor de la boquilla por acumulación del adhesivo y limpie si es necesario. Coloque nuevamente el bastidor de la boquilla en el aplicador.



# Recargando el Aplicador (continuación)

## Recargo del Cartucho Frio

### ⚠ ADVERTENCIA

Utilice solamente Poliuretano Reactivo (PUR) Easy 250 Scotch-Weld™ de 3M™ o Cartuchos de Adhesivo de Poliuretano Reactivo Scotch-Weld™ de 3M™. El uso con cualquier otro material **puede causar condiciones peligrosas.**

### ⚠ ADVERTENCIA

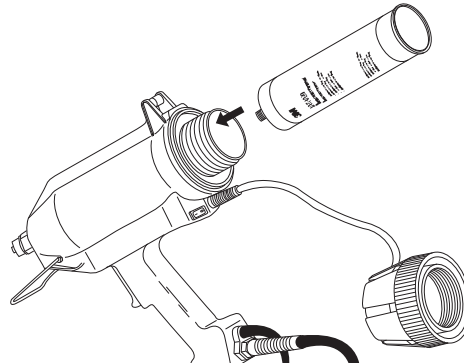
El Poliuretano Reactivo (PUR) Easy 250 Scotch-Weld™ de 3M™ o los Cartuchos de Adhesivo de Poliuretano Reactivo Scotch-Weld™ de 3M™ se deben precalentar o utilizar en el Precalentador de Adhesivo de Poliuretano Reactivo (PUR) Easy 250 Scotch-Weld™ de 3M™ o el Aplicador de Adhesivo (PUR) Easy 250 Scotch-Weld™ de 3M™ solamente. No precaliente el Poliuretano Reactivo (PUR) Easy 250 Scotch-Weld™ de 3M™ o los Cartuchos de Adhesivo de Poliuretano Reactivo Scotch-Weld™ de 3M™ en hornos o en otros aparatos de calefacción o los utilice en otros aplicadores. **Pueden causar condiciones peligrosas.**

### ⚠ Cuidado

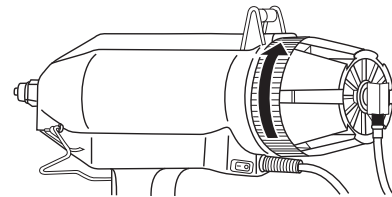
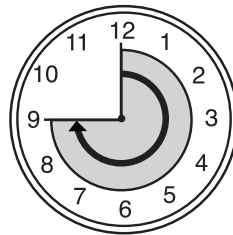
Evite el contacto con adhesivo, cartucho, la punta del aplicador, y componentes metálicos calientes. **Puede causar quemaduras.**

**Importante:** Utilice guantes resistentes al calor y lentes de seguridad cuando use el aplicador.

4. Inserte el cartucho de adhesivo dentro del aplicador como se demuestra sin perforarlo o fijar la boquilla desechable.



5. Apriete la cubierta trasera del aplicador para asegurar un sello positivo. Deje que el cartucho se caliente por un mínimo de 45 minutos.



6. Retire el cartucho de adhesivo y colóquelo en una banca o superficie plana de trabajo con la rosca de la boquilla apuntando hacia arriba. Permita que el cartucho repose por aproximadamente 60 segundos.



7. Ponga un trapo o una toalla de papel alrededor o cerca de la porción de la boquilla del cartucho.

8. Ponga un punzón o una herramienta similar en la porción de la boquilla del cartucho como se muestra.



**Nota:** Si hay un pequeño "eructo" de adhesivo, el trapo o toalla de papel contendrá cualquier adhesivo y permitirá limpiar antes de conectar la boquilla desechable.

## Recargo del Cartucho Frio

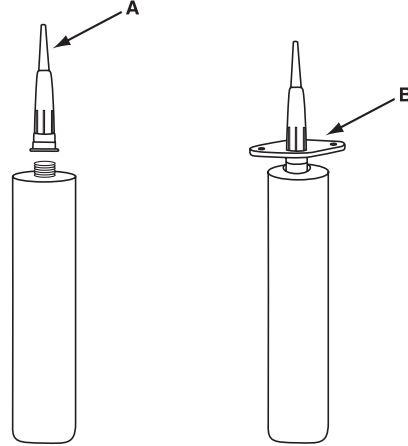
### ⚠ ADVERTENCIA

El Poliuretano Reactivo (PUR) Easy 250 Scotch-Weld™ de 3M™ o los Cartuchos de Adhesivo de Poliuretano Reactivo Scotch-Weld™ de 3M™ se deben precalentar o utilizar en el Precalentador de Adhesivo de Poliuretano Reactivo (PUR) Easy 250 Scotch-Weld™ de 3M™ o el Aplicador de Adhesivo (PUR) Easy 250 Scotch-Weld™ de 3M™ solamente. No precaliente el Poliuretano Reactivo (PUR) Easy 250 Scotch-Weld™ de 3M™ o los Cartuchos de Adhesivo de Poliuretano Reactivo Scotch-Weld™ de 3M™ en hornos o en otros aparatos de calefacción o los utilice en otros aplicadores. **Pueden causar condiciones peligrosas.**

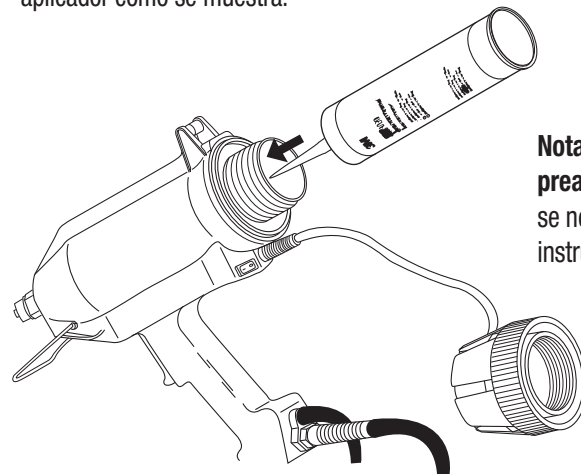
### ⚠ ADVERTENCIA

Utilice solamente Poliuretano Reactivo (PUR) Easy 250 Scotch-Weld™ de 3M™ o Cartuchos de Adhesivo de Poliuretano Reactivo Scotch-Weld™ de 3M™. El uso con cualquier otro material **puede causar condiciones peligrosas.**

9. Golpee la manija del punzón usando un martillo, mazo o un instrumento similar hasta que el sello de aluminio enfrente del cartucho se perforo.
10. Seleccione e instale una boquilla desechable (A) provista con el Poliuretano Reactivo (PUR) Easy 250 Scotch-Weld™ de 3M™ o el Adhesivo de Poliuretano Reactivo Scotch-Weld™ de 3M™ en el cartucho girando la boquilla hacia la derecha hasta que la base de la boquilla esté apretada o rasante con el cartucho usando la llave de plástico (B) suministrada para ayudar el ajuste.

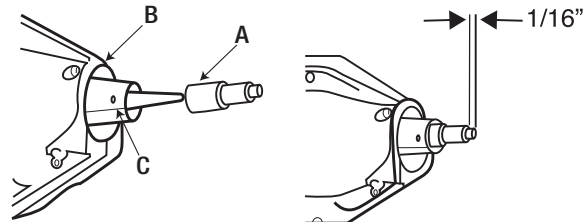


11. Inserte el cartucho de adhesivo completo con la boquilla desechable en el aplicador como se muestra.



**Nota: La cubierta es preajustada en la fábrica. Si se necesitan ajustes, siga las instrucciones en el paso 12.**

12. Ajuste de la Cubierta: Con el Poliuretano Reactivo (PUR) Easy 250 Scotch-Weld™ de 3M™ o el Cartucho de Adhesivo de Poliuretano Reactivo Scotch-Weld™ de 3M™ y la boquilla desechable cargados en el aplicador, inserte la cubierta de la boquilla (A) en el bastidor de la boquilla (B) permitiendo que aproximadamente 1/16" de la boquilla desechable sobresalga como se demuestra y apriete el tornillo de presión (C) para asegurarla.



**Importante:** Si se permite que no más de 1/16" a 1/8" de la boquilla de plástico desechable sobresalga de la cubierta de la punta, asegurará que el adhesivo permanezca derretido entre pulsaciones.

# Recargando el Aplicador (continuación)

## ⚠ ADVERTENCIA

No caliente o exponga el Poliuretano Reactivo (PUR) Easy 250 Scotch-Weld™ de 3M™ o el Adhesivo de Poliuretano Reactivo Scotch-Weld™ de 3M™ a temperaturas o superficies por encima de 275°F (135°C).

**Los vapores del material calentado pueden irritar los ojos y las vías respiratorias y pueden causar síntomas como de asma en personas sensibilizadas previamente a los isocianatos.**

## ⚠ ADVERTENCIA

El Poliuretano Reactivo (PUR) Easy 250 Scotch-Weld™ de 3M™ o los Cartuchos de Adhesivo de Poliuretano Reactivo Scotch-Weld™ de 3M™ se deben precalentar o utilizar en el Precalentador de Adhesivo de Poliuretano Reactivo (PUR) Easy 250 Scotch-Weld™ de 3M™ o el Aplicador de Adhesivo (PUR) Easy 250 Scotch-Weld™ de 3M™ solamente. No precaliente el Poliuretano Reactivo (PUR) Easy 250 Scotch-Weld™ de 3M™ o los Cartuchos de Adhesivo de Poliuretano Reactivo Scotch-Weld™ de 3M™ en hornos o en otros aparatos de calefacción o los utilice en otros aplicadores. **Pueden causar condiciones peligrosas.**

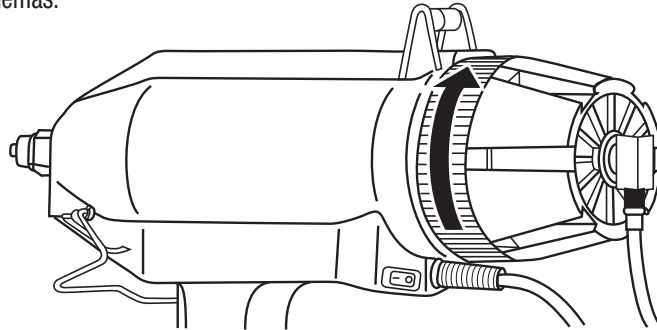
**Importante:** Para información adicional de salud y seguridad, vea la etiqueta del producto y la Hoja de Datos de Seguridad del Material del Adhesivo Scotch-Weld usado.

## ⚠ Cuidado

No conecte el aplicador al suministro de aire con presión de aire más de 80 psi. **Puede causar condiciones peligrosas o dañar el aplicador.**

**Importante:** Para el desecho de adhesivo o de componentes adhesivos, por favor lea y siga la información que se encuentra en la hoja MSDS del Poliuretano Reactivo (PUR) Easy 250 Scotch-Weld™ de 3M™ seleccionado.

13. Apriete la cubierta trasera del aplicador para asegurar un sello positivo al girarla hacia la derecha y siga el procedimiento de "Dispensar" para una operación sin problemas.



## Dispensando

1. Active el disparador en el aplicador para aplicar adhesivo. Para mejores resultados, ajuste la presión de aire a 80 PSI para iniciar el flujo.
2. Ajuste para obtener el flujo de adhesivo deseado ajustando el regulador de aire entre 30 psi y 80 psi.

**Importante:** Si se permite que no más de 1/16 " a 1/8" de la boquilla de plástico desechable sobresalga de la cubierta de la punta, asegurará que el adhesivo permanezca derretido entre pulsaciones.

## Cuidado

Evite el contacto con adhesivo, cartucho, la punta del aplicador, y componentes metálicos calientes.

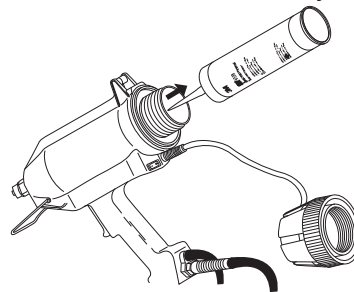
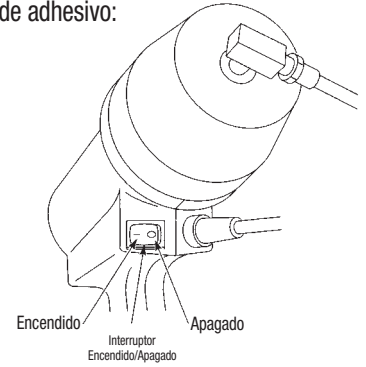
**Puede causar quemaduras.**

**Importante:** Utilice guantes resistentes al calor y lentes de seguridad cuando use el aplicador.

## Cargar y dispensar con el cartucho de adhesivo parcialmente usado:

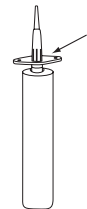
Si el aplicador se ha apagado con un cartucho de adhesivo parcialmente usado, siga los siguientes pasos para reiniciar el flujo de adhesivo:

1. Asegúrese de que el aplicador esté conectado en un tomacorriente eléctrico y el aire esté conectado de acuerdo a las instrucciones en la sección de "Instalación y Configuración" del manual.
2. Presione el interruptor de encendido / apagado a la posición de "encendido", indicado por la porción visible roja del interruptor.
3. Deje que el aplicador se caliente por aproximadamente 10 minutos.
4. Remueva la cubierta trasera del aplicador desatornillandola hacia la izquierda y remueva el cartucho de adhesivo y la boquilla desechable de plástico.



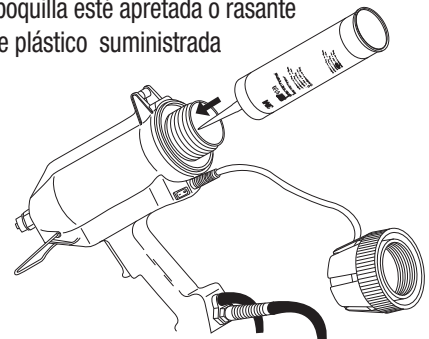
5. Retire el cartucho de adhesivo y colóquelo en una banca o superficie plana de trabajo con la rosca de la boquilla apuntando hacia arriba. Permita que el cartucho repose por aproximadamente 60 segundos.

6. Ponga un trapo o una toalla de papel alrededor o cerca de la porción de la boquilla del cartucho.



**Nota:** Si hay un pequeño "eructo" de adhesivo, el trapo o toalla de papel contendrá cualquier adhesivo y permitirá limpiar antes de conectar la boquilla desechable.

7. Mientras se sujeta el cartucho de adhesivo con guantes resistentes al calor, gire la boquilla desechable de plástico hacia la izquierda para removerla, y deseche la boquilla desechable de plástico con el adhesivo curado.
8. Seleccione e instale una boquilla desechable nueva y enrosquela hacia la derecha hasta que la base de la boquilla esté apretada o rasante con el cartucho usando la llave de plástico suministrada para ayudar el ajuste.
9. Inserte el cartucho de adhesivo completo con la boquilla desechable de plástico en el aplicador como se muestra.



# Recargando el Aplicador (continuación)

## Recargo del Cartucho Precautado

### ⚠ Cuidado

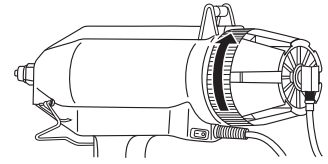
Evite el contacto con adhesivo, cartucho, la punta del aplicador, y componentes metálicos calientes. **Puede causar quemaduras.**

**Importante:** Utilice guantes resistentes al calor y lentes de seguridad cuando use el aplicador.

### ⚠ ADVERTENCIA

El Poliuretano Reactivo (PUR) Easy 250 Scotch-Weld™ de 3M™ o los Cartuchos de Adhesivo de Poliuretano Reactivo Scotch-Weld™ de 3M™ se deben precalentar o utilizar en el Precalentador de Adhesivo de Poliuretano Reactivo (PUR) Easy 250 Scotch-Weld™ de 3M™ o el Aplicador de Adhesivo (PUR) Easy 250 Scotch-Weld™ de 3M™ solamente. No precaliente el Poliuretano Reactivo (PUR) Easy 250 Scotch-Weld™ de 3M™ o los Cartuchos de Adhesivo de Poliuretano Reactivo Scotch-Weld™ de 3M™ en hornos o en otros aparatos de calefacción o los utilice en otros aplicadores. **Pueden causar condiciones peligrosas.**

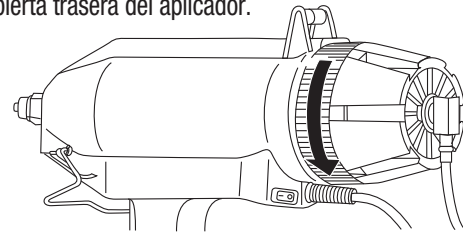
10. Apriete la cubierta trasera del aplicador hacia la derecha para asegurar un sello positivo. Deje que el cartucho se caliente por un mínimo de 45 minutos. Siga el procedimiento de "Dispensar" para una operación sin problemas.



### Importante.

**El adhesivo tendrá resistencia a fluir a través del aplicador si el total de tiempo de calentamiento del cartucho de adhesivo excede 16 horas (tiempo total incluyendo el calentador y el aplicador). Deseche correctamente cualquier cartucho de adhesivo que haya sido calentado por más de 16 horas y sustitúyalo por un cartucho nuevo calentado.**

1. Si el aplicador está frío, enciéndalo y permita que caliente por (5) minutos.
2. Desatornille y quite la cubierta trasera del aplicador.



3. Remueva del aplicador el cartucho vacío con la boquilla desechable de plástico fijada y deséchelos.
4. Seleccione un Cartucho de Adhesivo de Poliuretano Reactivo (PUR) Easy 250 Scotch-Weld™ de 3M™ calentado del Precalentador de Poliuretano Reactivo (PUR) Easy 250 Scotch-Weld™ de 3M™ y póngalo en una mesa o superficie plana de trabajo con la rosca para la boquilla hacia arriba. Permita que el cartucho repose por 60 segundos. (Siga el "Manual del Usuario para el Precalentador de Poliuretano Reactivo (PUR) Easy 250 Scotch-Weld™ de 3M™").
5. Ponga un trapo o una toalla de papel alrededor o cerca de la porción de la boquilla del cartucho.
6. Ponga un punzón o una herramienta similar en la porción de la boquilla del cartucho como se muestra.



**Nota:** Si hay un pequeño "eructo" de adhesivo, el trapo o toalla de papel contendrá cualquier adhesivo y permitirá limpiar antes de conectar la boquilla desechable.

7. Golpee la manija del punzón usando un martillo, mazo o un instrumento similar hasta que el sello de aluminio enfrente del cartucho se perfora.



## Recargo del Cartucho Precautado

### ! Cuidado

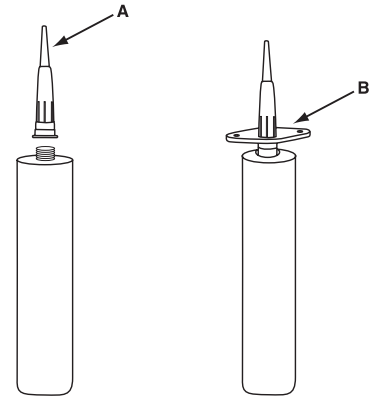
Evite el contacto con adhesivo, cartucho, la punta del aplicador, y componentes metálicos calientes. **Puede causar quemaduras.**

**Importante:** Utilice guantes resistentes al calor y lentes de seguridad cuando use el aplicador.

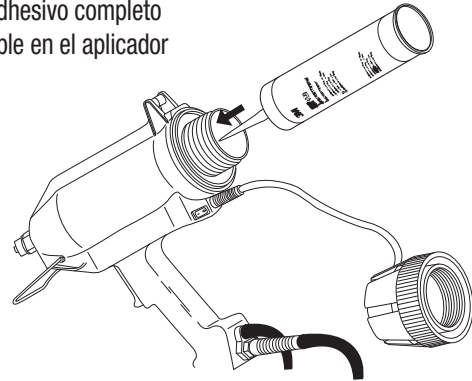
### ! ADVERTENCIA

Utilice solamente Poliuretano Reactivo (PUR) Easy 250 Scotch-Weld™ de 3M™ o Cartuchos de Adhesivo de Poliuretano Reactivo Scotch-Weld™ de 3M™. El uso con cualquier otro material **puede causar condiciones peligrosas.**

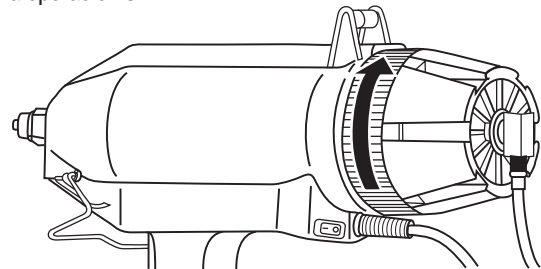
8. Seleccione e instale una boquilla desechable (A) provista con el Adhesivo de Poliuretano Reactivo (PUR) Easy 250 Scotch-Weld™ de 3M™ o el Adhesivo de Poliuretano Reactivo Scotch-Weld™ de 3M™ en el cartucho girando la boquilla hacia la derecha hasta que la base de la boquilla esté apretada o rasante con el cartucho usando la llave de plástico (B) suministrada para ayudar el ajuste.



9. Inserte el cartucho de adhesivo completo con la boquilla desechable en el aplicador como se muestra.



10. Apriete la cubierta trasera del aplicador para asegurar un sello positivo al girarla hacia la derecha y siga el procedimiento de "Dispensar" para una operación sin problemas.



## Apagando el Aplicador

### ! Cuidado

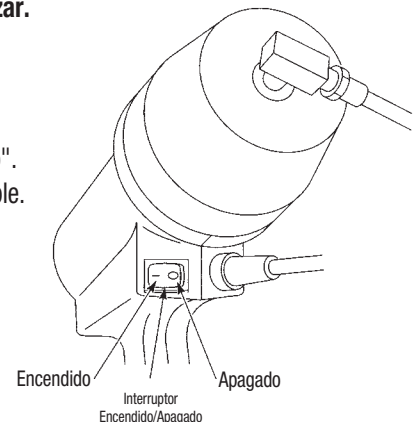
Evite el contacto con adhesivo, cartucho, la punta del aplicador, y componentes metálicos calientes. **Puede causar quemaduras.**

**Importante:** Utilice guantes resistentes al calor y lentes de seguridad cuando use el aplicador.

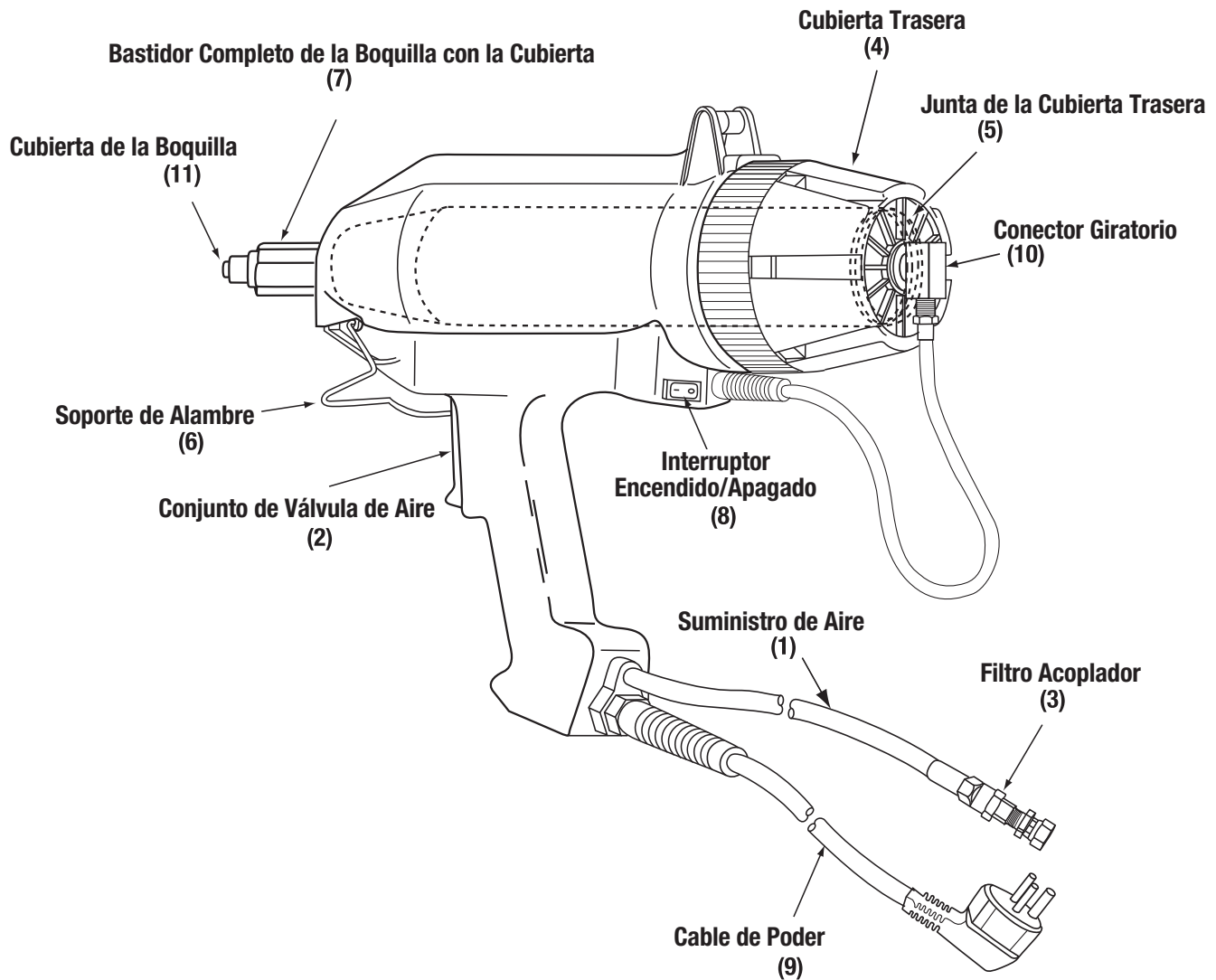
### Importante

**¡No quite el cartucho del aplicador! El cartucho debe de permanecer sellado cuando el aplicador se esté apagando. De lo contrario permitirá que la humedad cure el adhesivo en el cartucho y no se podrá utilizar.**

1. Empuje el interruptor de conectado/desconectado a la posición "desconectado". La porción roja del interruptor no será visible.



# Diagrama del Aplicador y Lista de Refacciones



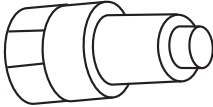
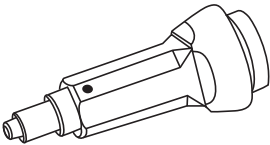
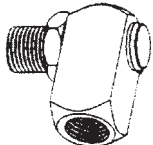
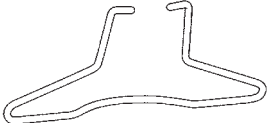

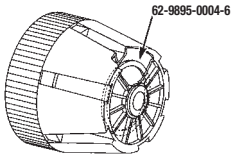
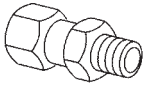
## ⚠ ADVERTENCIA

Utilice solamente las refacciones especificadas por 3M. El uso de otras refacciones **puede causar condiciones peligrosas o dañar el aplicador.**

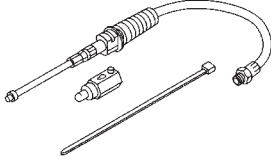
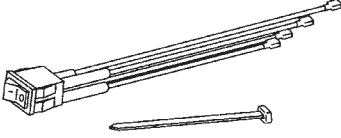
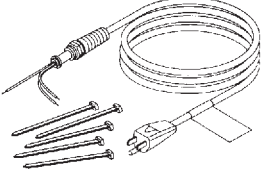
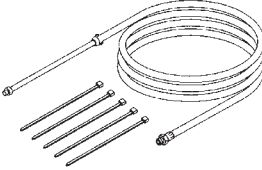
Todas las piezas de repuesto del Aplicador de Adhesivo de Poliuretano Reactivo (PUR) Easy 250 Scotch-Weld™ de 3M™ contienen procedimientos de reemplazo.

(1) Suministro de Aire .....	62-9895-0005-3
(2) Conjunto de Válvula de Aire .....	62-9845-0009-0
(3) Coupler Filter .....	62-9895-0001-2
(4) Cubierta Trasera .....	62-9895-0003-8
(5) Junta de la Cubierta Trasera .....	62-9895-0004-6
(6) Soporte de Alambre .....	62-9895-0033-5
(7) Bastidor Completo de la Boquilla con la Cubierta .....	62-9845-9950-4
(8) Interruptor Encendido/Apagado .....	62-9895-0024-4
(9) Cable de Poder .....	62-9895-0021-0
(10) Conector Giratorio .....	62-9845-9934-0
(11) Cubierta de la Boquilla .....	62-9845-0029-8

# PARTES DE REPUESTO Y ACCESORIOS del Aplicador de Adhesivo de Poliuretano Reactivo (PUR) Easy 250 Scotch-Weld™ de 3M™

Descripción	Número de Parte	Contenido
Cubierta 3 por bolsa	62-9845-0029-8	
Ensamblaje del Bastidor de la Boquilla con la Cubierta de la Punta	62-9865-9950-4	
Conector Giratorio	62-9845-9934-0	
Soporte de Alambre	62-9895-0033-5	
Junta de la Cubierta Trasera	62-9895-0004-6	
Cubierta trasera	62-9895-0003-8	
Filtro Acoplador	62-9895-0001-2	

# PARTES DE REPUESTO Y ACCESORIOS del Aplicador de Adhesivo de Poliuretano Reactivo (PUR) Easy 250 Scotch-Weld™ de 3M™

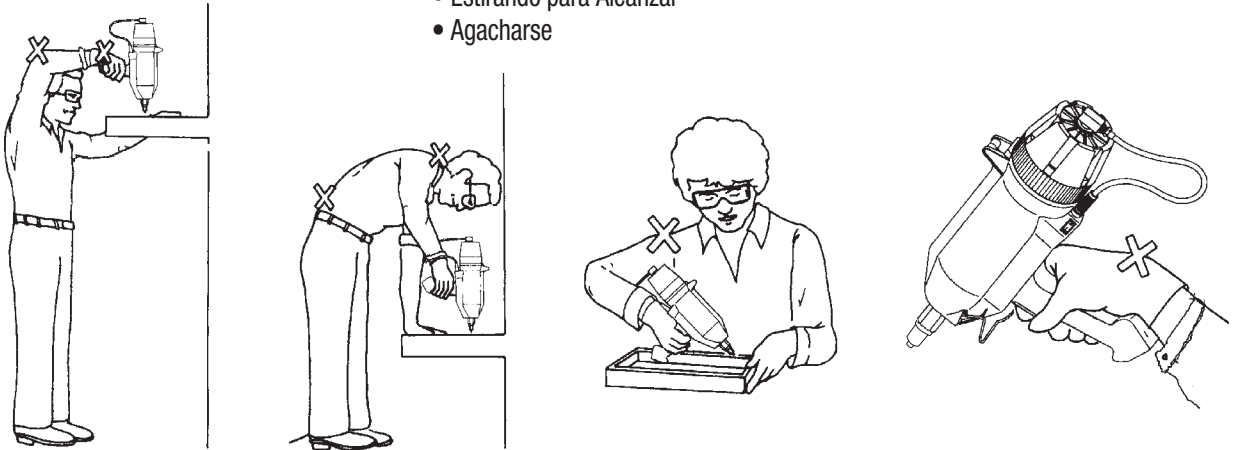
Descripción	Número de Parte	Contenido
Conjunto de Válvula de Aire	62-9845-0009-0	
Juego del Interruptor Encendido/Apagado	62-9895-0024-4	
Juego del Cable de Poder	62-9895-0021-0	
Juego de la Línea de Suministro de Aire	62-9895-0005-3	

# Productividad de Operación y Comodidad

Evite posiciones que puedan producir irritación de los nervios, músculos, tendones y el cartílago del hombro, codo, muñeca, mano y espalda.

Evite:

- Elevar el Codo
- Doblar la Muñeca
- Estirando para Alcanzar
- Agacharse



Ajuste su estación de trabajo para que pueda:

- Pararse o sentarse erectamente
- Mantener sus codos cerca de sus lados
- Sostener el aplicador sin doblar la muñeca.



# Búsqueda de Fallas

## **! ADVERTENCIA**

Utilice solamente las refacciones especificadas por 3M. El uso de otras refacciones **puede causar condiciones peligrosas o dañar el aplicador.**

Esta porción del Manual del Usuario está dividida en cinco secciones para ayudar a evaluar posibles problemas con su Aplicador de Adhesivo de Poliuretano Reactivo (PUR) Easy 250 Scotch-Weld™ de 3M™.

Si el aplicador calienta, refiérase a:

**Condición 1:  
Poco o Sin Flujo de Adhesivo/  
Fuga de Aire Perceptible.** **Página 21**

**Condición 2:  
Poco o Sin Flujo de Adhesivo/  
Fuga de Aire No Perceptible** **Página 26**

**Condición 3:  
Goteo de la Boquilla.** **Página 30**

**Condición 4:  
Flujo Continuo del Adhesivo.** **Página 30**

**Condición 5:  
Apague Lento del Adhesivo.** **Página 30**

Si el aplicador no calienta, refiérase a:

**Condición 6:  
El Aplicador no Calienta.** **Page 30**

Un diagrama del aplicador y una lista de refacciones se encuentre en la página 17. Si su aplicador requiere reparación, las piezas de repuesto se pueden ordenar con su distribuidor local autorizado del Poliuretano Reactivo (PUR) Easy 250 Scotch-Weld™ de 3M™ o del Adhesivo de Poliuretano Reactivo Scotch-Weld™ de 3M™. Si, después de seguir estos procedimientos, aún existe un problema, póngase en contacto con su representante de ventas local de 3M. Para obtener los números de teléfono de la localidad de 3M más cercana, consulte la portada posterior de este manual.

### **Importante**

**Servicio en este aplicador sólo debe ser realizado por un electricista o técnico de servicio calificado.**

**Condición 1:  
Poco o Sin Flujo de Adhesivo/  
Fuga de Aire Perceptible.**

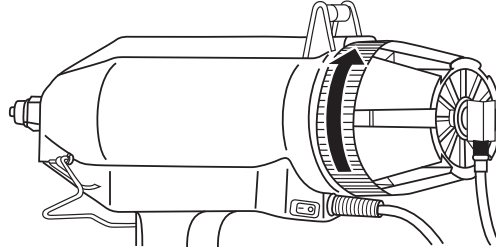
**! Cuidado**

Evite el contacto con adhesivo, cartucho, la punta del aplicador, y componentes metálicos calientes.  
**Puede causar quemaduras.**

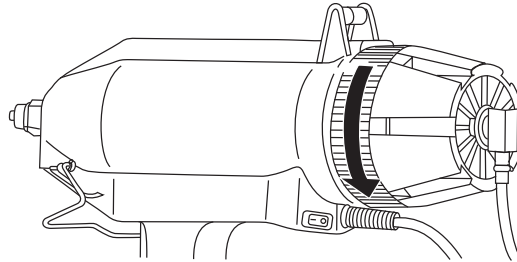
**Importante:** Utilice guantes resistentes al calor y lentes de seguridad cuando use el aplicador.

Realice los siguientes pasos hasta que se logre el flujo de adhesivo.

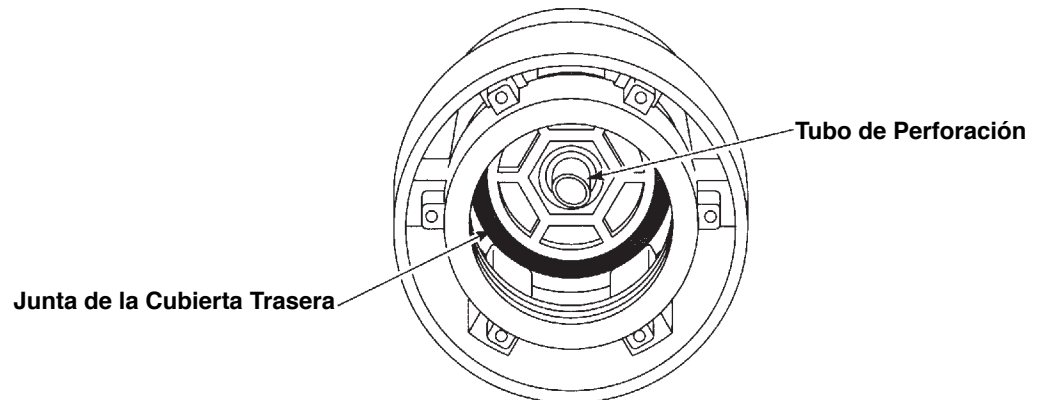
1. Apriete la cubierta trasera del aplicador para asegurar un sello positivo. Si esto no produce flujo del adhesivo, proceda al siguiente paso.



2. Remueva la cubierta trasera girandola hacia la izquierda.



3. Examine el interior de la cubierta trasera para saber si la junta esta incorrectamente asentada o dañada. Reposicione o sustituya la junta si es necesario con la junta de la cubierta trasera 62-9895-0004-6. Si esto no produce flujo del adhesivo, proceda al siguiente paso.



# Búsqueda de Fallas (continuación)

## Cuidado

Evite el contacto con adhesivo, cartucho, la punta del aplicador, y componentes metálicos calientes.

**Puede causar quemaduras.**

**Importante:** Utilice guantes resistentes al calor y lentes de seguridad cuando use el aplicador.

4. Examine los cartuchos de Poliuretano Reactivo (PUR) Easy 250 Scotch-Weld™ de 3M™ o el Cartucho del Adhesivo de Poliuretano Reactivo Scotch-Weld™ de 3M™ para saber si hay abolladuras o daños y sustitúyalos por un cartucho sin daños. Los cartuchos dañados o abollados no permitirán un sello apropiado y aire se fugará más allá del cartucho.
5. Si una fuga de aire ocurre en las conexiones en la cubierta trasera, desconecte la línea de servicio de aire y apriete las conexiones.
6. Si las conexiones de la línea de aire están dañadas o rotas, sustituya el conjunto de válvula de aire 62-9845-0009-0.
7. Si la línea de suministro de aire ha sido cortada o dañada, sustituya la línea de suministro de aire 62-9895-0005-3.
8. Si una fuga de aire ocurre dentro de la manija, las dos mitades de la manija se deben separar siguiendo el procedimiento de desmontaje, en la página 23.

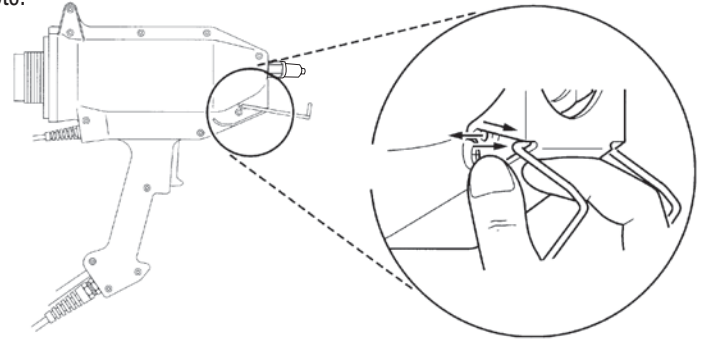


## **⚠ ADVERTENCIA**

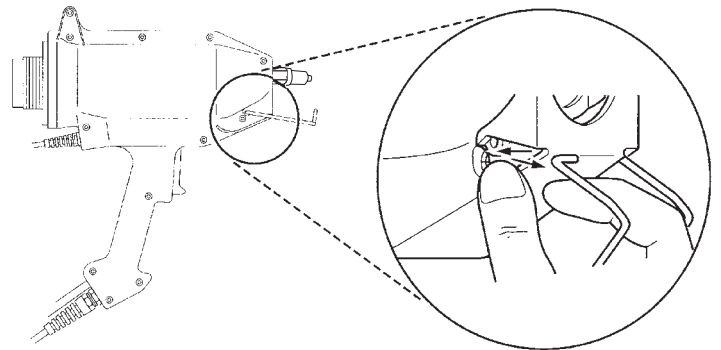
Desconecte el aire y la energía eléctrica y asegúrese de que el aplicador se haya enfriado a la temperatura ambiental antes de dar servicio. Si no se desconecta el aire y la energía eléctrica o si no se permite que el aplicador se enfríe antes de prestar servicio, **podría causar una descarga eléctrica o quemaduras.** Lea el manual del usuario antes de dar servicio.

## **Procedimiento de Desmontaje**

- Desenchufe el cable de poder del tomacorriente puesto a tierra y desconecte el suministro de aire.
- Retire el soporte de alambre tirando de un lado lo suficiente para liberar el alambre de su agujero de pivote. Deje que el alambre descansa en la hendidura enfrente del agujero del pivote.



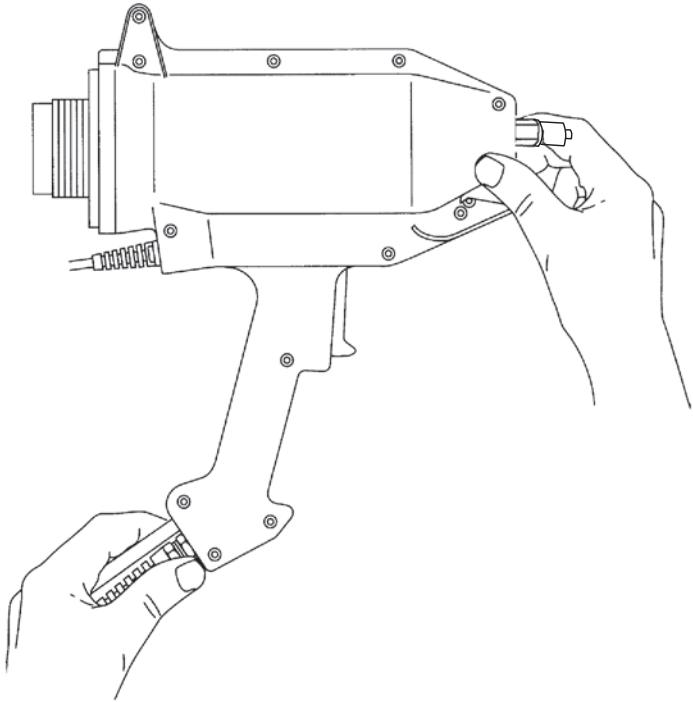
- Repita el procedimiento anterior en el lado opuesto del aplicador.
- Jale cualquier lado del alambre de soporte sobre el bastidor, preferiblemente en el punto más bajo - que es la pequeña ranura en la parte de enfrente. Quite el alambre de soporte y póngalo a un lado.



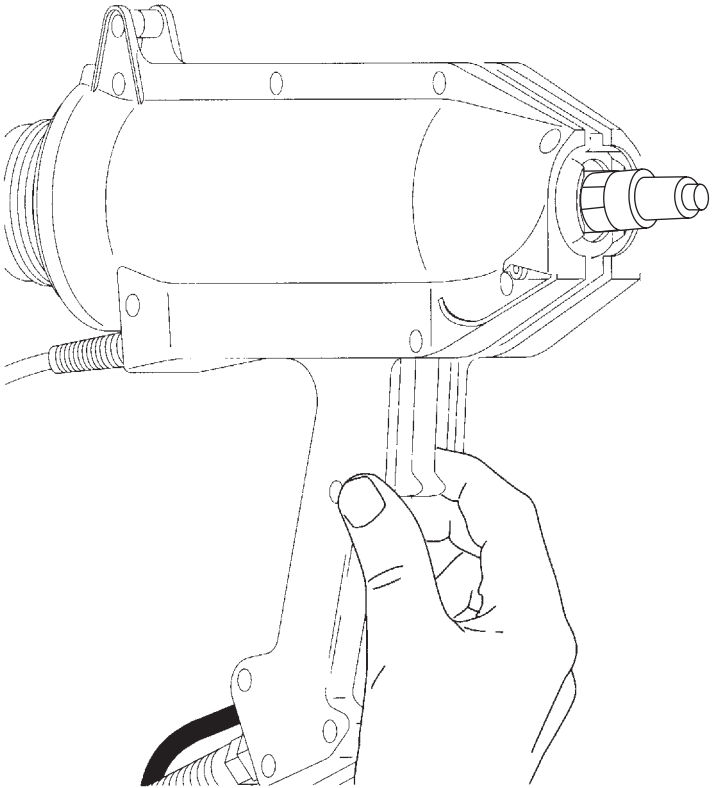
- Remueva la cubierta trasera girándola hacia la izquierda.
- Si es posible, remueva del aplicador el cartucho con la boquilla fijada.
- Coloque el aplicador en su costado de modo que las cabezas de los tornillos apunten hacia arriba.
- Desatornille los doce (12) tornillos de cabeza Phillips.

# Búsqueda de Fallas (continuación)

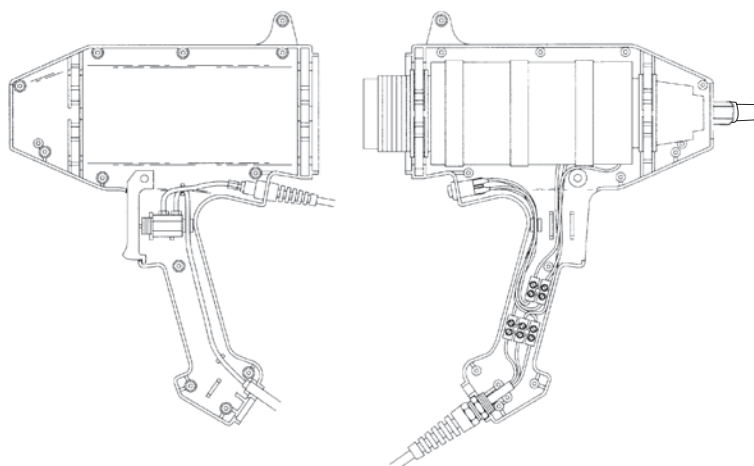
17. Jale suavemente para separar las dos mitades del bastidor.



18. Sostenga el disparador con el bastidor superior y levántelo.



19. Levante y gire la porción superior del bastidor 180 grados a la derecha de manera que ambos lados estén abiertos y todos los componentes sean visibles.



**⚠ ADVERTENCIA**

Utilice solamente las refacciones especificadas por 3M. El uso de otras refacciones **puede causar condiciones peligrosas o dañar el aplicador.**

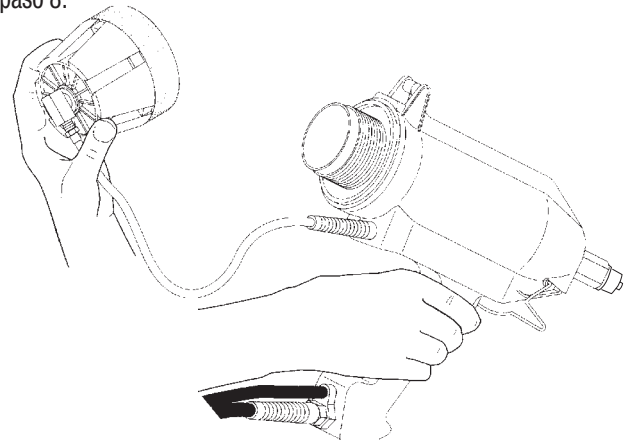
20. Vuelva a conectar el suministro de aire y ajuste entre 30 a 40 psi para ayudar a localizar el escape de aire.
21. Examine las conexiones y vuévalas a apretar si es necesario. Si la válvula de aire tiene una fuga o la línea de aire que va a la cubierta trasera tiene una fuga o ha sido dañada, sustitúyala por el montaje de la válvula de aire 62-9845-0009-0.
22. Si la línea de suministro de aire se ha perforado, cortado o ha sido desconectada del montaje de la válvula de aire, sustitúyala o vuelva a conectar las líneas de suministro de aire o reemplácela con la línea de suministro de aire 62-9895-0005-3.
23. Después de examinar, apriete las conexiones flojas, o sustituya piezas, vuelva a montar las mitades de la manija siguiendo las Instrucciones de ensamble. Vea la página 36.

# Búsqueda de Fallas (continuación)

**Condición 2:  
Poco o Sin Flujo de  
Adhesivo/Fuga de Aire  
No Perceptible**

Lleve a cabo las siguientes pruebas si no hay una fuga de aire audible pero el aplicador calienta.

1. Revise el suministro de aire por una línea pellizcada
2. Remueva la cubierta trasera del aplicador girandola hacia la izquierda. Apunte la cubierta trasera lejos de usted y otros en el área de trabajo y apriete el disparador. Una corriente de aire constante que fluye desde el tubo de perforación indica que la válvula de aire y fuente de aire se encuentran en buenas condiciones. Proceda al paso siguiente. Si no hay flujo de aire, proceda a la página 28. paso 8.

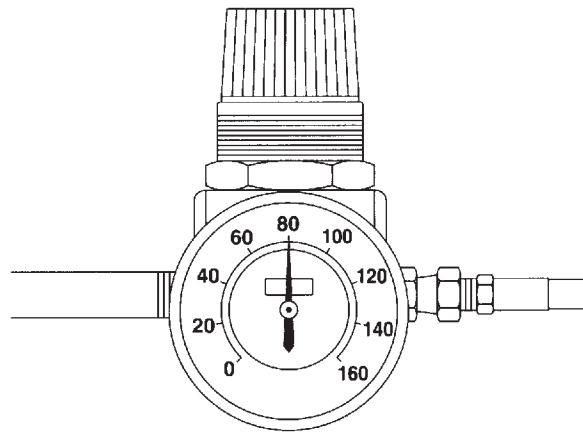


## **! Cuidado**

No conecte el aplicador al suministro de aire con presión de aire más de 80 psi. **Puede causar condiciones peligrosas o dañar el aplicador.**

**Importante:** Para la eliminación de componentes del adhesivo o adhesivos, por favor lea y siga la información que se encuentra en la hoja MSDS del Adhesivo de Poliuretano Reactivo (PUR) Easy 250 Scotch-Weld™ de 3M™.

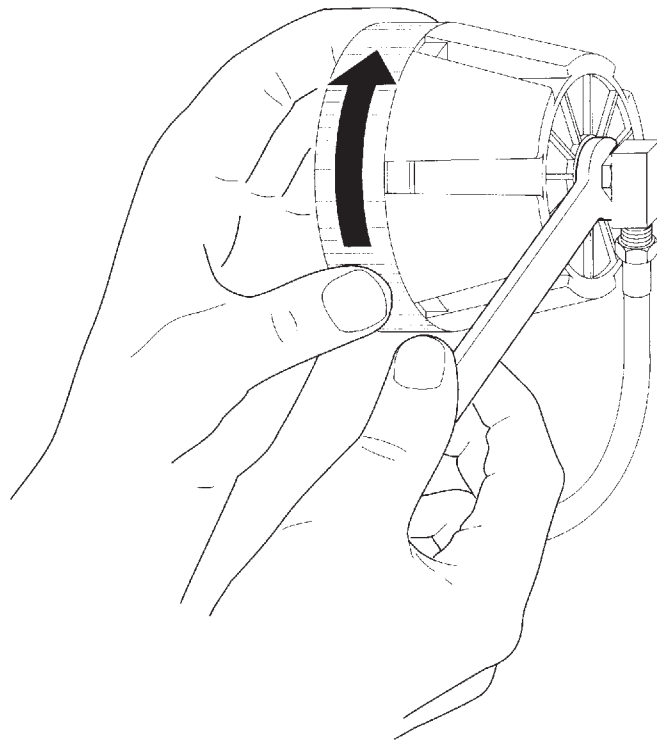
3. Vuelva a colocar y apriete la cubierta trasera girandola hacia la derecha. Aumente la presión de aire a aproximadamente 80 psi. Si el adhesivo empieza a fluir, reajuste a la presión deseada. Si aún no existe o el flujo de adhesivo es bajo, continúe con el paso siguiente.



## **⚠ ADVERTENCIA**

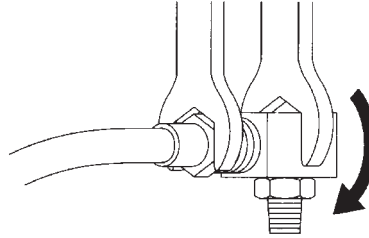
No limpie o remueva el Poliuretano Reactivo (PUR) Easy 250 Scotch-Weld™ de 3M™ o el Adhesivo de Poliuretano Reactivo Scotch-Weld™ de 3M™ con calor, llama, o solvente. **Puede causar vapor peligroso o fuego.**

4. El adhesivo curado en la boquilla desechable podría causar un flujo de adhesivo lento o que no fluya.
5. Remueva la boquilla desechable obstruida vieja e instale una nueva boquilla desechable.
6. Si no hay flujo de aire a la cubierta trasera cuando el disparador se jala, verifique que el aplicador esté correctamente conectado a un regulador de aire a presión. Si las conexiones se han llevado a cabo correctamente y la presión es de 30 psi mínimo, proceda al siguiente paso.
7. Remueva la cubierta trasera del aplicador. Coloque una llave española de 7/16 de pulgada en la conexión giratoria. Sosteniendo la tuerca con la llave gire la cubierta trasera en dirección de la flecha en el diagrama. Remueva la cubierta trasera y póngala a un lado

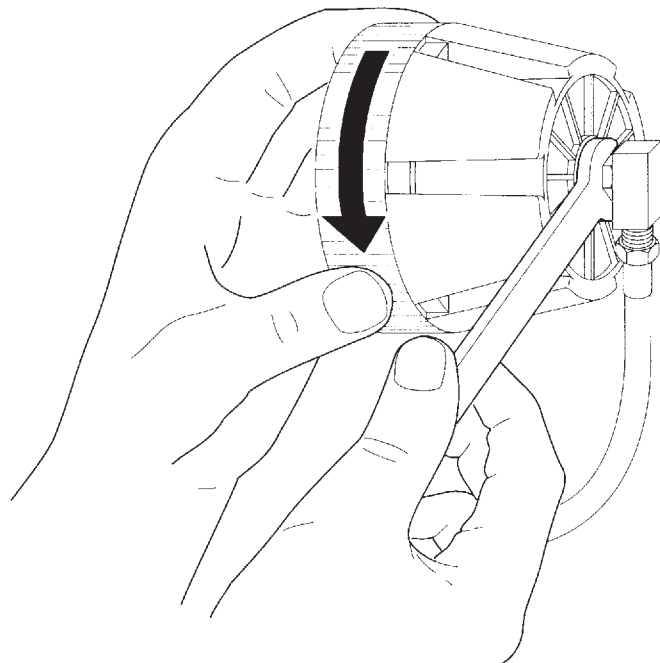


## Búsqueda de Fallas (continuación)

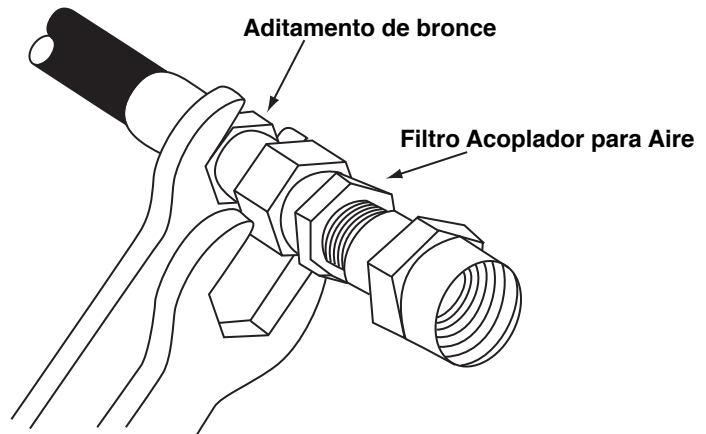
8. Sostenga el aditamento giratorio y apunte en una dirección lejos de usted y otros en el área de trabajo y presione el disparador. Si hay una corriente constante de flujo de aire en el aditamento giratorio, reemplace la cubierta trasera 62-9895-0003-8. Si el aire no fluye de la válvula de escape rápido, proceda al siguiente paso.
9. Remueva el aditamento giratorio de la conexión de la línea de aire sosteniendo la conexión de la línea de aire con una llave de 7/16 de pulgada mientras se gira la válvula de escape rápido como se muestra en el diagrama, usando una llave de 1/2 pulgada.



10. Sostenga el aditamento de la línea de aire y apunte en una dirección lejos de usted y los demás en el área de trabajo. Active el Disparador. Si una corriente constante de aire fluye del aditamento, sustituya el conector giratorio 62-9845-9934-0.
11. Examine la cubierta trasera para asegurarse que la abertura a través del tubo de perforación está limpia y libre de obstrucción. Si ha ocurrido una obstrucción en la abertura, sustituya la cubierta trasera 62-9895-0003-8.
12. Vuelva a conectar la cubierta trasera en el conector giratorio usando procedimiento en reversa que se encuentra en el paso 7.



13. Desconecte la línea principal de aire de la fuente de aire.
14. Mientras se sostiene el aditamento de bronce con una llave española de 7/16 de pulgada, afloje y quite el acoplador del filtro de aire usando una llave española de 9/16 de pulgada.



15. Conecte el aditamento de bronce con la fuente de aire. Con la cubierta trasera removida del aplicador y apuntando en dirección lejos de usted y los demás en el área de trabajo, jale el disparador. Si corriente constante de aire fluye desde el tubo de perforación, reemplace el filtro acoplador 62-9895-0001-2. Si el aire no fluye del tubo de perforación, proceda al siguiente paso.
16. Al llevar a cabo las pruebas anteriores, todos los problemas que no sean del conjunto de la válvula de aire han sido eliminados. Sustituya el conjunto de la válvula de aire 62-9845-0009-0.

#### **Nota**

Si después de substituir el montaje de la válvula de aire, el aplicador no funciona correctamente, póngase en contacto con su representante local de 3M.

# Búsqueda de Fallas (continuación)

## Condición 3 Goteo de Boquilla

Este problema puede ocurrir después de un período de varios días con el aplicador apagado porque el material alrededor del émbolo en la parte trasera del cartucho ha empezado a curarse. Este problema se debe eliminar después de un corto período de uso o cuando se introduce un nuevo cartucho de adhesivo. Si el goteo continúa, sustituya la boquilla desechable.

## Condición 4 Flujo Continuo del Adhesivo

Si el adhesivo continúa fluyendo cuando se suelta el gatillo, algo de lo siguiente ha ocurrido: Primero quite la cubierta trasera del aplicador. Si el aire se libera y el flujo de adhesivo se detiene, el conjunto de la válvula de aire parte # 62-9845-0009-0 se deben reemplazar. Si el adhesivo continúa fluyendo, aire ha entrado enfrente del émbolo interno. Este es el resultado de ya sea una falta de un sistema adecuado de eliminación de la humedad en la conexión de aire al aplicador, o la extracción del cartucho de adhesivo del aplicador y la exposición a la humedad, o que no se permitieron 45 minutos en el periodo de calentamiento. Después de que el adhesivo ha dejado de fluir, remueva y sustituya el cartucho de adhesivo y siga el procedimiento del comienzo.

## Condición 5 Apague Lento del Adhesivo

Si después de soltar el gatillo del aplicador, el adhesivo sigue fluyendo desde la punta durante unos segundos antes de apagarse, el conjunto de válvula de aire - 62-9845-0009-0 - puede necesitar reemplazo. Esto puede ocurrir como resultado de humedad, aire grasoso o sucio que parcialmente hayan bloqueado el sistema de escape.

## Condición 6 El Aplicador no Calienta

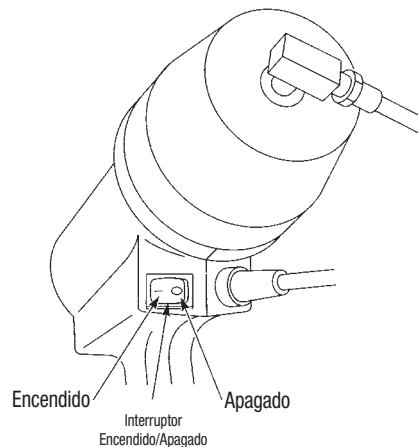
### Importante

Los pasos para la Búsqueda de Fallas se deben conducir por un electricista o una persona de servicio calificada.

1. Cheque el tomacorriente eléctrico. Si no hay electricidad, póngase en contacto con el electricista, si el tomacorriente tiene electricidad, proceda al siguiente paso.
2. Empuje el interruptor a la posición de "ENCENDIDO" indicada por la porción roja visible de interruptor. Si no calienta, proceda al siguiente paso.

### ⚠ ADVERTENCIA

Desconecte el aire y la energía eléctrica y asegúrese de que el aplicador se haya enfriado a la temperatura ambiental antes de dar servicio. Si no se desconecta el aire y la energía eléctrica o si no se permite que el aplicador se enfríe antes de prestar servicio, **podría causar una descarga eléctrica o quemaduras.** Lea el manual del usuario antes de dar servicio.



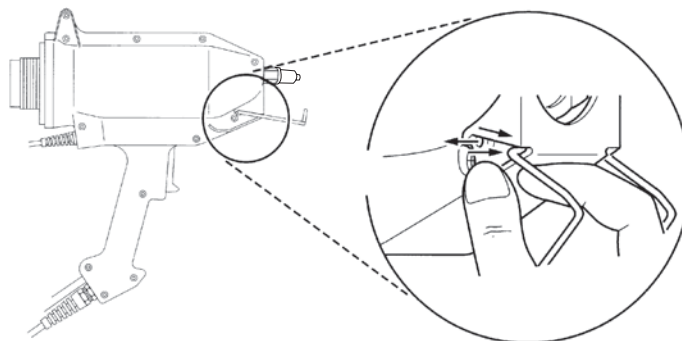
### Importante

Quite el cable de poder del tomacorriente eléctrico puesto a tierra y desconecte el suministro de aire antes hacer cualquier evaluación adicional o reparaciones.

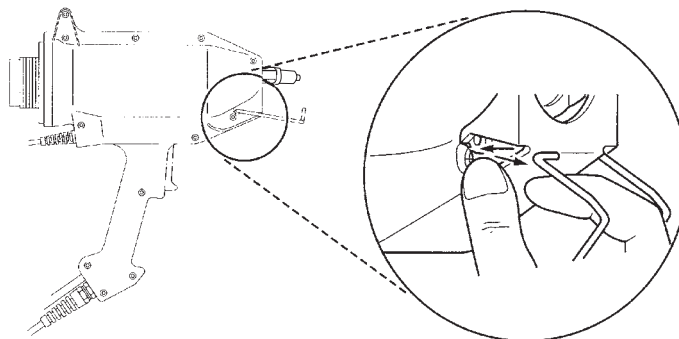


## Procedimiento de Desmontaje

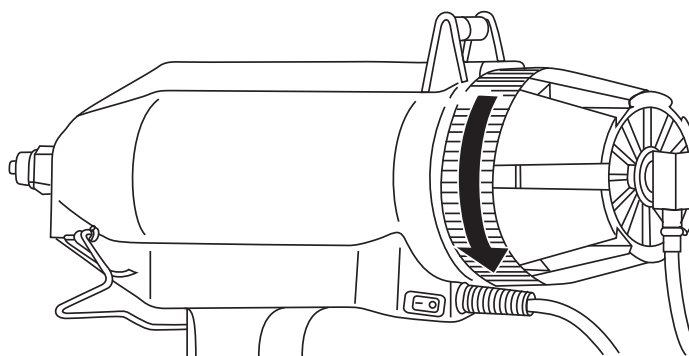
3. Retire el soporte de alambre tirando de un lado lo suficiente para liberar el alambre de su agujero de pivote. Deje que el alambre descansa en la hendidura enfrente del agujero del pivote.



4. Haga lo mismo con el lado opuesto del alambre de soporte.
5. Jale cualquier lado del alambre de soporte sobre el bastidor, preferiblemente en el punto más bajo - que es la pequeña ranura en la parte de enfrente. Quite el alambre de soporte y póngalo a un lado."



6. Quite la cubierta trasera girándola hacia la izquierda.



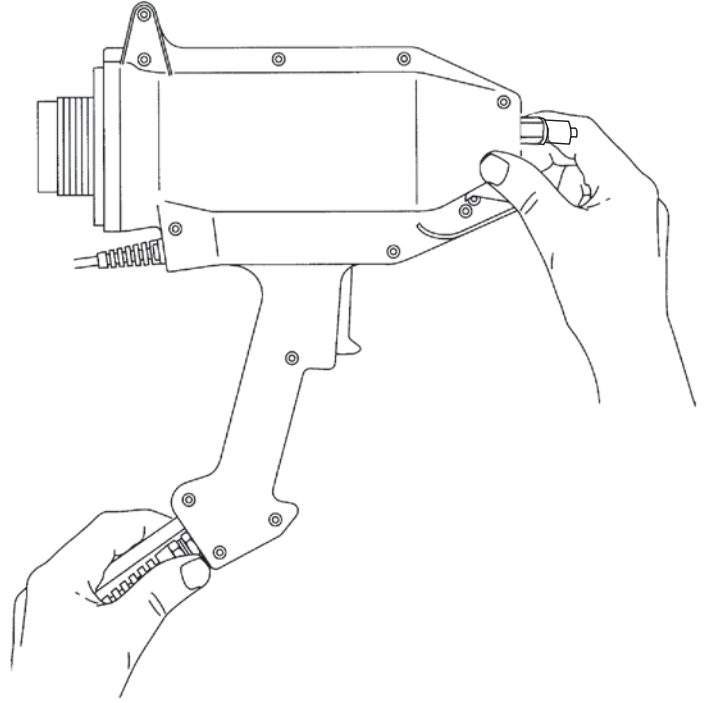
7. Si es posible, remueva el cartucho y la boquilla.
8. Coloque el aplicador en su costado de modo que las cabezas de los tornillos apunten hacia arriba.

### ⚠ ADVERTENCIA

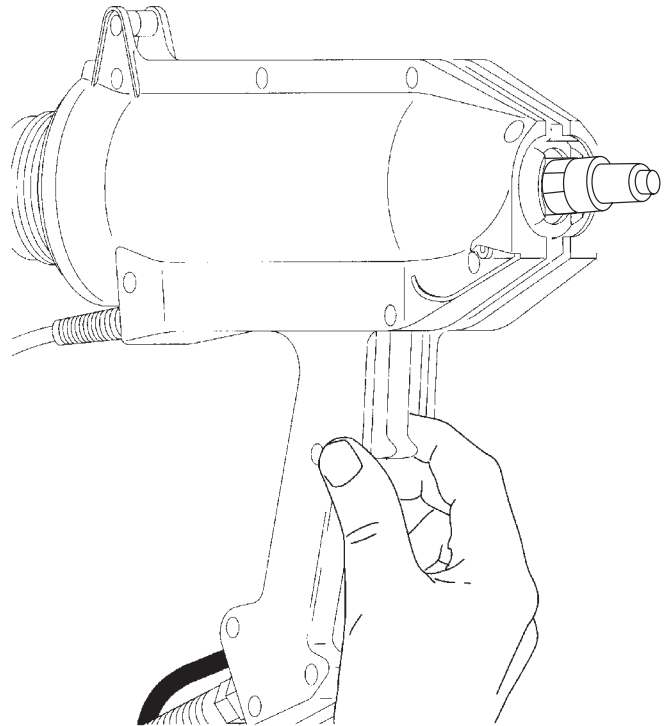
Desconecte el aire y la energía eléctrica y asegúrese de que el aplicador se haya enfriado a la temperatura ambiental antes de dar servicio. Si no se desconecta el aire y la energía eléctrica o si no se permite que el aplicador se enfríe antes de prestar servicio, **podría causar una descarga eléctrica o quemaduras.** Lea el manual del usuario antes de dar servicio.

## Búsqueda de Fallas (continuación)

9. Desatornille los doce (12) tornillos de cabeza Phillips.
10. Jale suavemente para separar las dos mitades del bastidor.



11. Sostenga el disparador con el bastidor superior y levántelo.



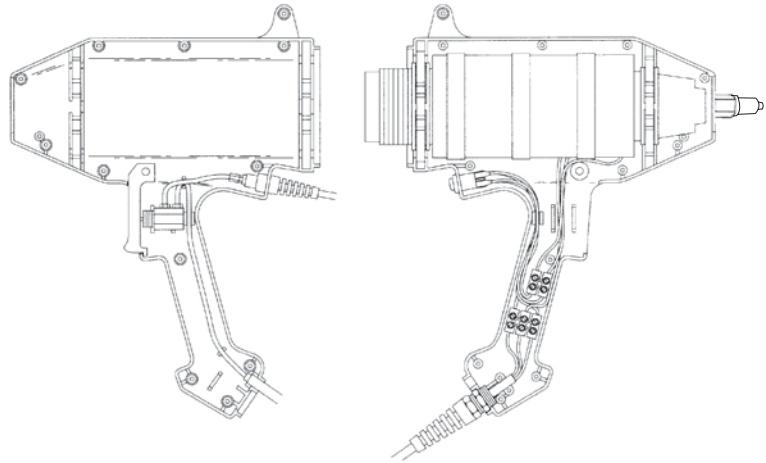
### ⚠ ADVERTENCIA

Desconecte el aire y la energía eléctrica y asegúrese de que el aplicador se haya enfriado a la temperatura ambiental antes de dar servicio. Si no se desconecta el aire y la energía eléctrica o si no se permite que el aplicador se enfríe antes de prestar servicio, **podría causar una descarga eléctrica o quemaduras.** Lea el manual del usuario antes de dar servicio.

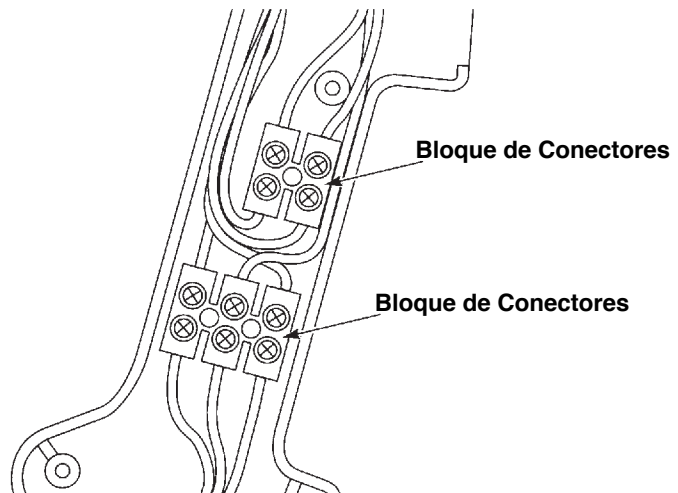
## ⚠ ADVERTENCIA

Desconecte el aire y la energía eléctrica y asegúrese de que el aplicador se haya enfriado a la temperatura ambiental antes de dar servicio. Si no se desconecta el aire y la energía eléctrica o si no se permite que el aplicador se enfríe antes de prestar servicio, **podría causar una descarga eléctrica o quemaduras.** Lea el manual del usuario antes de dar servicio.

12. Levante y gire la porción superior del bastidor 180 grados a la derecha de manera que ambos lados estén abiertos y todos los componentes sean visibles.

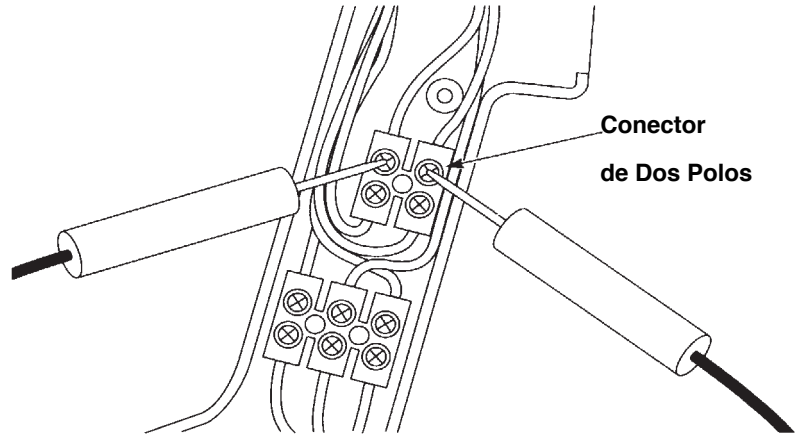


13. Inspeccione todas las conexiones de alambre para saber si hay alambres flojos o desconectados, asegurándose que ciertos tornillos en todos los bloques del conector están asegurando los alambres correctamente. Si algunas conexiones están flojas y se han salido de los bloques del conector, vuelva a conectar y apriete la conexión de acuerdo con el esquema eléctrico.



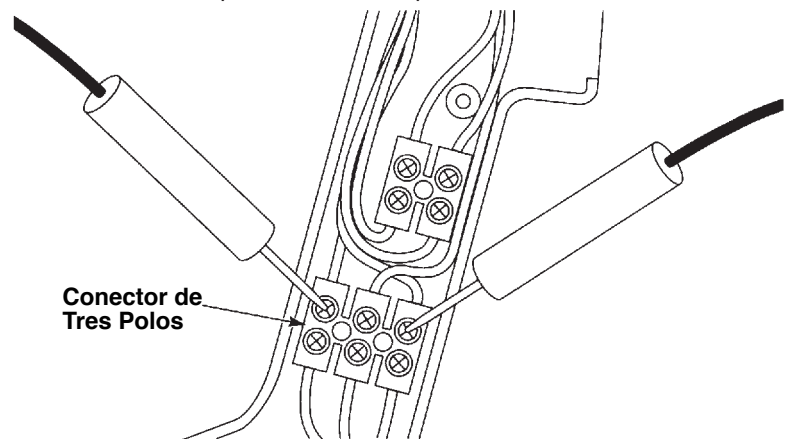
# Búsqueda de Fallas (continuación)

14. Utilice un voltímetro para checar el ensamblaje del tubo calentador. Coloque una sonda en la posición superior izquierda de los bloques conectores de dos polos. Con la otra sonda del medidor, toque el conector en la parte superior derecha del conector de dos polos.



15. Si no existe continuidad y el aplicador está todavía dentro del período de garantía de 12 meses. Póngase en contacto con su representante de ventas más cercano o distribuidor autorizado del Adhesivo del Poliuretano Reactivo Scotch-Weld™ de 3M™ (PUR). Si el aplicador está más allá del período de garantía de 12 meses, póngase en contacto con su representante de ventas más cercano o distribuidor autorizado de 3M del Adhesivo de Poliuretano Reactivo Scotch-Weld™ de 3M™ (PUR) para solicitar información del programa de "renovación". Si existe continuidad, proceda al siguiente paso.

16. Usando un voltímetro para checar el interruptor de encendido/apagado, primero empuje el interruptor a la posición de "ENCENDIDO" indicada por la porción roja visible del interruptor. Coloque una sonda en la posición superior izquierda del bloque conector de tres polos. Con la otra sonda del medidor, toque el conector en la parte superior derecha del bloque conector de tres polos.

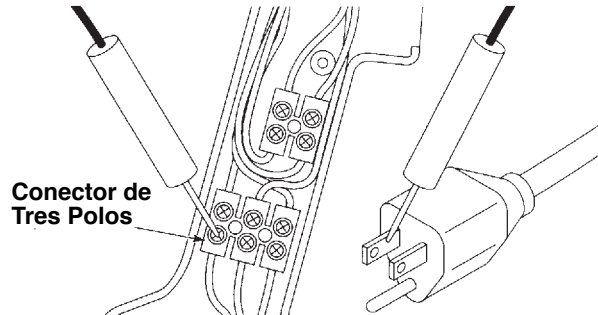


17. Si no existe continuidad, sustituya el montaje del interruptor de encendido/apagado 62-9895-0024-4. Si existe continuidad, proceda al siguiente paso.

## ⚠ ADVERTENCIA

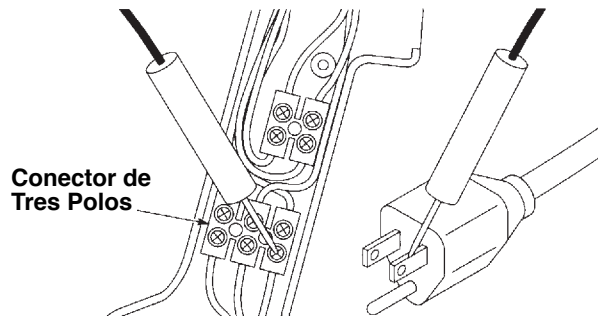
Desconecte el aire y la energía eléctrica y asegúrese de que el aplicador se haya enfriado a la temperatura ambiental antes de dar servicio. Si no se desconecta el aire y la energía eléctrica o si no se permite que el aplicador se enfríe antes de prestar servicio, **podría causar una descarga eléctrica o quemaduras.** Lea el manual del usuario antes de dar servicio.

- Usando un voltímetro para checar el cable de poder, ponga una sonda en la posición izquierda más baja del conector tripolar que contiene el cable negro. Conecte la otra sonda al lado izquierdo de la clavija eléctrica.



Mueva el cable de un lado a otro para asegurarse de que no hay una conexión parcial o intermitente.

- Si no existe continuidad o es intermitente, sustituya el conjunto del cable de poder 62-9895-0021-0.
- Si existe continuidad póngame una sonda del voltímetro en la parte baja derecha de la clavija de tres patas conteniendo el cable blanco. Conecte la otra sonda al lado neutral de la clavija eléctrica. Mueva el cable de un lado a otro para asegurarse de que no hay una conexión parcial o intermitente.



- Si no existe continuidad o es intermitente, sustituya el conjunto del cable de poder 62-9895-0021-0.
- Si el cable de poder tiene continuidad pero la unidad todavía no calienta, repita los pasos de identificación de fallas o póngase en contacto con su representante local de 3M.

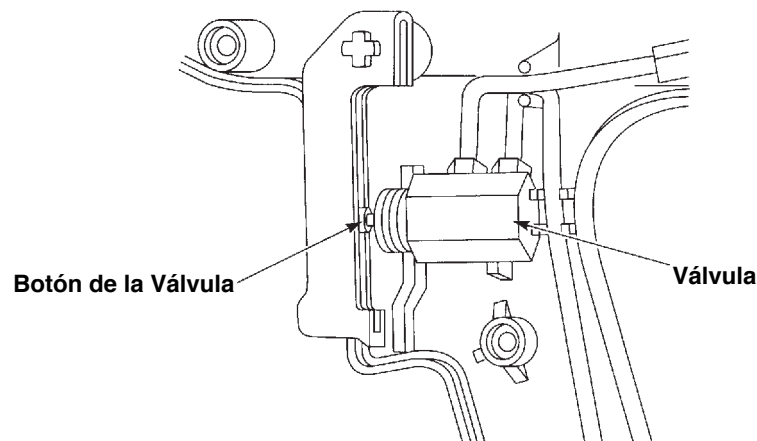
### ⚠ ADVERTENCIA

Desconecte el aire y la energía eléctrica y asegúrese de que el aplicador se haya enfriado a la temperatura ambiental antes de dar servicio. Si no se desconecta el aire y la energía eléctrica o si no se permite que el aplicador se enfríe antes de prestar servicio, **podría causar una descarga eléctrica o quemaduras.** Lea el manual del usuario antes de dar servicio.

# Procedimiento de Reensamblaje del Aplicador

El montaje del bastidor está generalmente en orden inverso al de desmontaje con las siguientes precauciones:

1. Asegúrese de que el disparador esté en el botón de la válvula antes de colocar la válvula en posición. Posicione la válvula de modo que las conexiones apunten lejos de usted y a lo largo de la superficie interna del bastidor. La porción plana del hexágono de la válvula se debe colocar como se muestra.



## ⚠ ADVERTENCIA

Utilice una clavija de tres patas conectada a tierra y tomacorriente correctamente puesta a tierra. Si no se utiliza la clavija y la toma de corriente apropiadamente a tierra, **puede provocar una descarga eléctrica.**

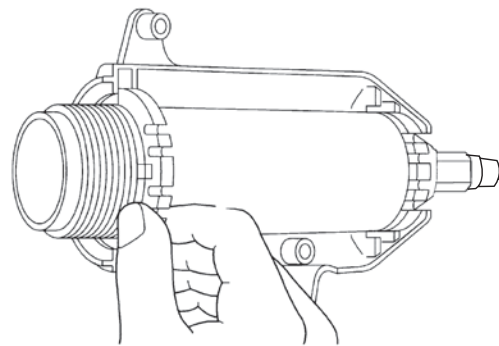
**Importante:** Si usted no está seguro(a) si las conexiones son apropiadas, obtenga ayuda de un electricista o de una persona de servicio calificada.

## ⚠ Cuidado

No conecte el aplicador al suministro de aire con presión de aire más de 80 psi. **Puede causar condiciones peligrosas o dañar el aplicador.**

**Importante:** Para la eliminación de componentes del adhesivo o adhesivos, por favor lea y siga la información que se encuentra en la hoja MSDS del Adhesivo de Poliuretano Reactivo (PUR) Easy 250 Scotch-Weld™ de 3M™.

2. Si los separadores térmicos han sido removidos o se han salido del bastidor, empuje los separadores en su posición en el tubo calentador. Asegúrese de que estén completamente acoplados con las muescas en el tubo calentador y no hay un espacio entre los separadores opuestos.



3. Coloque la línea de aire en su ranura en la parte inferior del mango cuando se coloca el lado del aire sobre el lado eléctrico.
4. No force las mitades del bastidor al juntarlas. Vuelva a verificar la posición del disparador y la válvula si no se acoplan correctamente. Asegúrese que el tubo calentador esté en su posición apropiada si se ha removido.
5. Vuelva a colocar los doce (12) tornillos de cabeza philips y apriételos. No apriete los tornillos demasiado.
6. Conecte los suministros de electricidad y de aire.
7. Después de suficiente calentamiento (se pueden requerir hasta 35 minutos) compruebe que opera apropiadamente.

# Garantía/Aviso Importante/Limitación de Recursos/Limitación de Responsabilidad

---

## Durante el Periodo de Garantía

Póngase en contacto con su distribuidor autorizado del Adhesivo de Poliuretano Reactivo Scotch-Weld™ de 3M™ (PUR).

---

## Después del Periodo de Garantía

El Aplicador de Adhesivo de Poliuretano Reactivo (PUR) Easy 250 Scotch-Weld™ de 3M™ ha sido diseñado para ser durable y confiable. Reconociendo que eventualmente necesitará mantenimiento, lo hemos hecho fácil para reparar y mantener.

Si su Aplicador de Adhesivo de Poliuretano Reactivo (PUR) Easy 250 Scotch-Weld™ de 3M™ requiere reparación, usted puede ponerse en contacto con su representante local de 3M, para ordenar refacciones, o averigüe acerca del programa de restauración.

---

## Aviso Importante

El usuario es responsable en determinar si el Aplicador de Adhesivo de Poliuretano Reactivo (PUR) Easy 250 Scotch-Weld™ de 3M™ es apto para un propósito un propósito específico y adecuado para el método de aplicación del usuario.

---

## Garantía

Con respecto al Aplicador de Adhesivo de Poliuretano Reactivo (PUR) Easy 250 Scotch-Weld™ de 3M™, 3M garantiza por 12 meses a partir de la fecha de la compra o uso, lo que ocurra primero, que este aplicador estará libre de defectos en material y fabricación. Con respecto al Aplicador Restaurado para Adhesivo de Poliuretano Reactivo (PUR) Easy 250 Scotch-Weld™ de 3M™, 3M garantiza por 30 días a partir de la fecha de compra o uso, lo que ocurra primero, que este aplicador estará libre de defectos en material y fabricación. **3M NO OFRECE OTRAS GARANTÍAS, EXPRESAS O IMPLÍCITAS, INCLUYENDO, PERO NO LIMITADAS A, CUALQUIER GARANTÍA DE COMERCIALIZACIÓN O IDONEIDAD PARA UN PROPÓSITO PARTICULAR O CUALQUIER GARANTÍA IMPLÍCITA QUE SURJA DE UN PROCESO DE NEGOCIACIÓN, COSTUMBRE O USO COMERCIAL.** Esta garantía no cubre mantenimiento rutinario, desgaste normal, o daños causados por accidentes, mal uso, alteración, corrosión, falta de cuidado razonable, servicio realizado por un servicio de reparación no autorizado, el uso de piezas de repuesto o accesorios no autorizados, o instalación, uso, operación o mantenimiento que no esté conforme con los procedimientos recomendados por 3M, o el uso de cartuchos de adhesivo no fabricados por 3M o que no están sujetos a las normas de calidad de 3M.

---

## Limitación de Recursos

Si el Aplicador de Adhesivo de Poliuretano Reactivo (PUR) Easy 250 Scotch-Weld™ de 3M™ se demuestra ser defectuoso dentro del período de garantía indicado anteriormente, **EL REMEDIO EXCLUSIVO, A OPCIÓN DE 3M, SERÁ EL REEMBOLSO DEL PRECIO DE LA COMPRA O REPARAR O SUBSTITUIR EL APLICADOR DEFECTUOSO DE 3M**, a condición de que el aplicador defectuoso, a opción de 3M, se devuelva inmediatamente a 3M o a un representante de servicio autorizado designado por 3M, o que se haga disponible en las premisas del usuario en una ubicación conveniente para mantener.

---

## Limitación de Responsabilidad

3M no deberá ser responsable de otra manera por pérdidas o daños, ya sea directo, indirecto, especial, incidental o consecuente, sin importar la teoría legal o equitativa afirmada, incluyendo un contrato, negligencia, garantía o responsabilidad estricta.

## Notas: